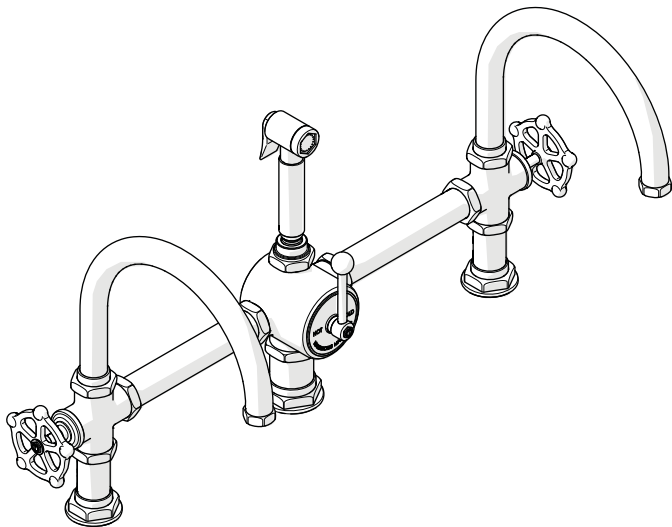


**STYLE No.** RGKM50<sup>†</sup>



**SPECIFICATIONS:**

Deck Thickness Maximum: 2" [51mm]  
 Fittings Hole Diameter [Center]: Ø2-1/4" [57mm]  
 Fittings Hole Diameter [Left, Right]: Ø1-3/4" [44mm]  
 Handle Turn Angle: Quarter Turn  
 Inlet Connection: 3/8" Compression Connection Hoses<sup>†</sup>  
 Integrated Diverter: Yes  
 Restricted Maximum Flow Rate: 2.2gpm [8.3liters/min] †  
 Spout Reach: 10" [254mm]  
 Spout Swivel: Yes  
 Spray Hose Length: 79"  
 Water Pressure: 30psi [2.1 Bar] MIN - 85 psi [6.0 Bar] MAX  
 Water Pressure Recommended: 45 psi [3.0 Bar]

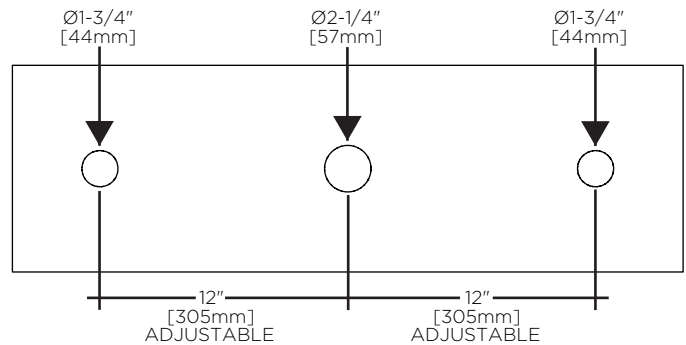
† UK Style No. **RG50KM** is supplied with 2 **BSP** adapters, assembly required.

‡ Each spout and spray is flow regulated at 2.2gpm.

**IMPORTANT:**

- To ensure this product is installed properly, you must read and follow these guidelines. The owner/user of this product must keep this information for future reference.
- This product must be installed by a professional licensed contractor.
- Be sure your installation conforms to all federal, state, and local codes. In the State of Massachusetts, all installations must comply with the rules and regulations set forth within 248 CMR.
- Inspect the product to ensure you have all the parts required for proper installation. Use only a strap wrench or protected/smooth-jaw wrench on any finished surface.
- Refer to the specification and assembly drawings attached. Product is sold partially assembled but shown fully disassembled for illustrative and service purposes only.

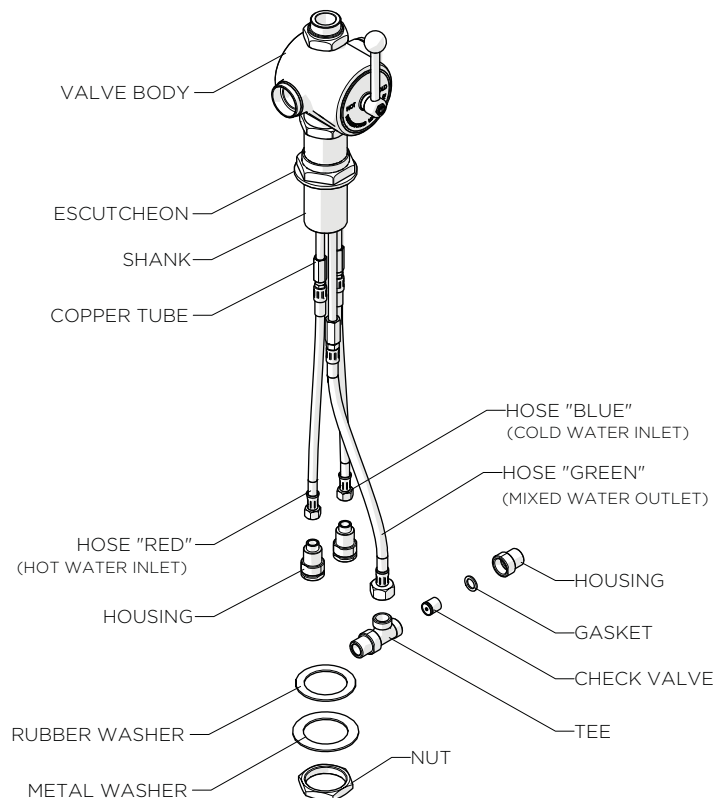
- The use of certain plumber's putty may stain stone or tile surfaces.
- This product requires 3 holes on the mounting surface. The center hole must be 2-1/4" [57mm] in diameter. The left and right holes must be 1-3/4" [44mm] in diameter, each hole with a 12" [305mm] on-center spread from the center hole as shown in Figure - 01. The 12" [305mm] spread can be adjusted by cutting the TUBES.



**FIGURE - 01**

**TEMPERATURE VALVE INSTALLATION:**

- The Temperature Valve only mixes hot and cold water. It does not have a volume/on/off function.
- See Figure - 02 for steps 1 - 4.



**FIGURE - 02**

These guidelines have been prepared for the professional contractor to aid in the installation of: **REGULATOR GOOSENECK DOUBLE SPOUT MARQUEE KITCHEN FAUCET WITH METAL WHEEL HANDLES AND SPRAY (STYLE No. RGKM50, RG50KM UK)**. All dimensions are based on original specification and are subject to change and variation. Please consult your Design Associate for current specifications.

1. Remove the TEE and CHECK VALVE HOUSINGS from the HOSES on the TEMPERATURE VALVE BODY.
2. Remove the NUT, METAL WASHER, and RUBBER WASHER from the SHANK on the VALVE BODY. Do **NOT** remove the O-RING beneath the ESCUTCHEON.
3. Ensure that the COPPER TUBES and HOSES are securely tightened, then insert the SHANK through the  $\text{\O}2\text{-}1/4$ " [57mm] or center hole on the mounting surface making sure the O-RING is beneath the ESCUTCHEON.

**NOTE:** The HOSES are marked with colored ZIP TIES to identify their function. **RED** for incoming hot supply water, **BLUE** for incoming cold supply water and **GREEN** for outgoing mixed water.

4. Re-install the RUBBER WASHER, METAL WASHER and NUT onto the SHANK and securely tighten the NUT to secure the VALVE BODY to the mounting surface.
5. Insert the TUBES into the TEMPRATURE VALVE BODY, making sure the O-RINGS and NUTS are attached properly. Do **NOT** tighten the NUTS. The flanged end of the TUBES must be on the outside. See FIGURE - 03.

**NOTE:** The TUBES are aesthetic only and do **NOT** hold or carry water. The TUBES can be cut to accommodate different on-center spreads. The max on-center spread for each TUBE is 12" [305mm].

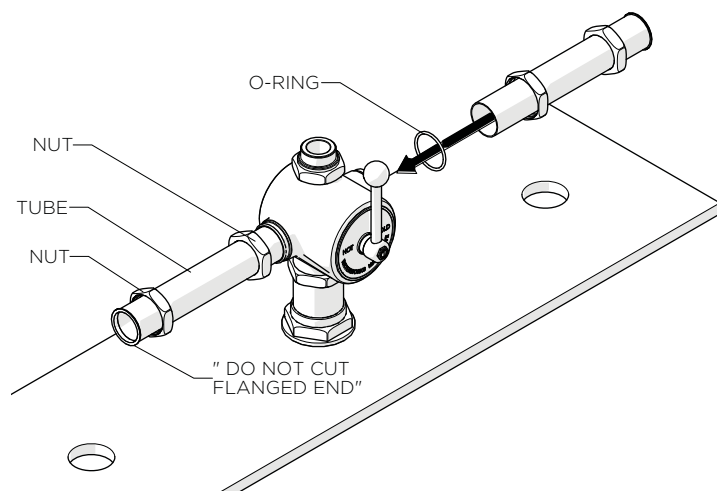


FIGURE - 03

#### SPOUT WITH DIVERTER INSTALLATION:

- **NOTE:** Each SPOUT works independently from the other and each has a volume/on/off control function.
- **IMPORTANT:** Only 1 SPOUT can divert water to the SPRAY. Determine whether this SPOUT will be mounted on the left or right of the TEMPERATURE VALVE.
- **NOTE:** The SPOUT with the integrated diverter will have 1 inlet HOSE "GREEN" and 1 outlet HOSE "YELLOW".

- See Figure - 04 for steps 6 - 7.
- 6. Remove the NUT, METAL WASHER, and RUBBER WASHER from the SHANK on the SPOUT WITH DIVERTER. Do **NOT** remove the O-RING beneath the ESCUTCHEON.
- 7. Ensure that the COPPER TUBES and HOSES are securely tightened, then insert the SHANK through the desired  $\text{\O}1\text{-}3/4$ " [44mm] hole on the mounting surface making sure the O-RING is beneath the ESCUTCHEON.

**NOTE:** The HOSES are marked with colored ZIP TIES to identify their function. **GREEN** for incoming mixed water and **YELLOW** for outgoing diverted water.

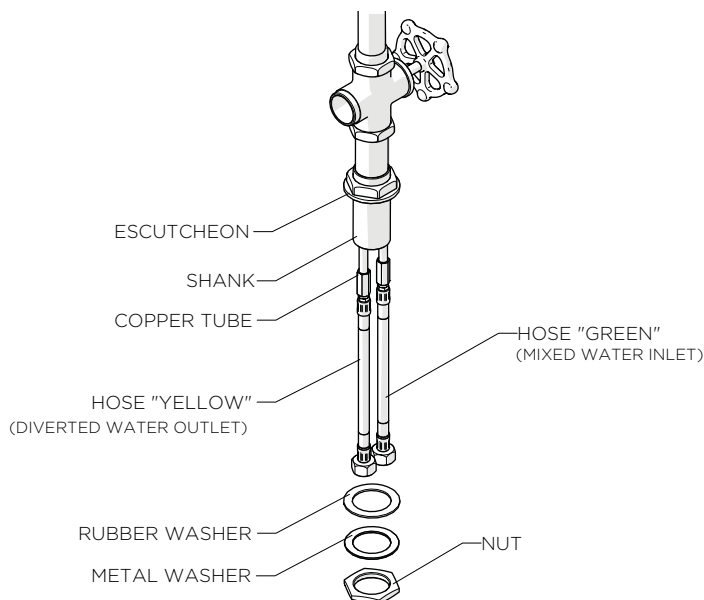


FIGURE - 04

8. Ensure that the flanged end of the TUBE sits flush with the SPOUT VALVE BODY. See FIGURE - 05. Thread and tighten the both NUTS on the TUBE.

**CAUTION:** The TUBES can be cut if necessary, adjust as needed. Do **NOT** cut the flanged end.

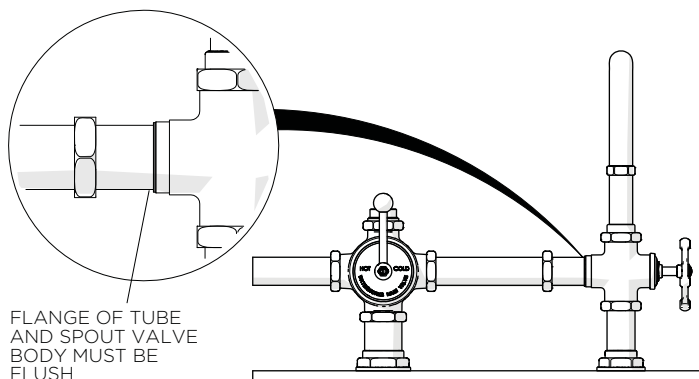


FIGURE - 05

These guidelines have been prepared for the professional contractor to aid in the installation of:  
REGULATOR GOOSENECK DOUBLE SPOUT MARQUEE KITCHEN FAUCET WITH METAL WHEEL HANDLES AND  
SPRAY (STYLE No. RGKM50, RG50KM UK)

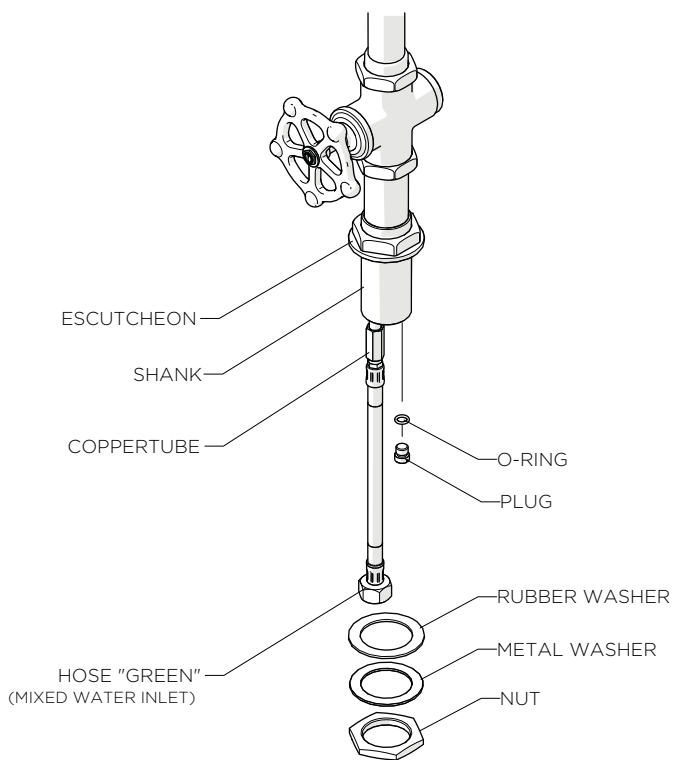
All dimensions are based on original specification and are subject to change and variation.  
Please consult your Design Associate for current specifications.

WATERWORKS

9. Re-install the RUBBER WASHER, METAL WASHER and NUT and securely tighten the NUT to secure the SPOUT to the mounting surface.

#### SPOUT WITHOUT DIVERTER INSTALLATION:

- **NOTE:** Each SPOUT works independently from the other and each has a volume/on/off control function.
- **NOTE:** The SPOUT WITHOUT DIVERTER will only have 1 inlet HOSE.
- See Figure - 06 for steps 10 - 11.



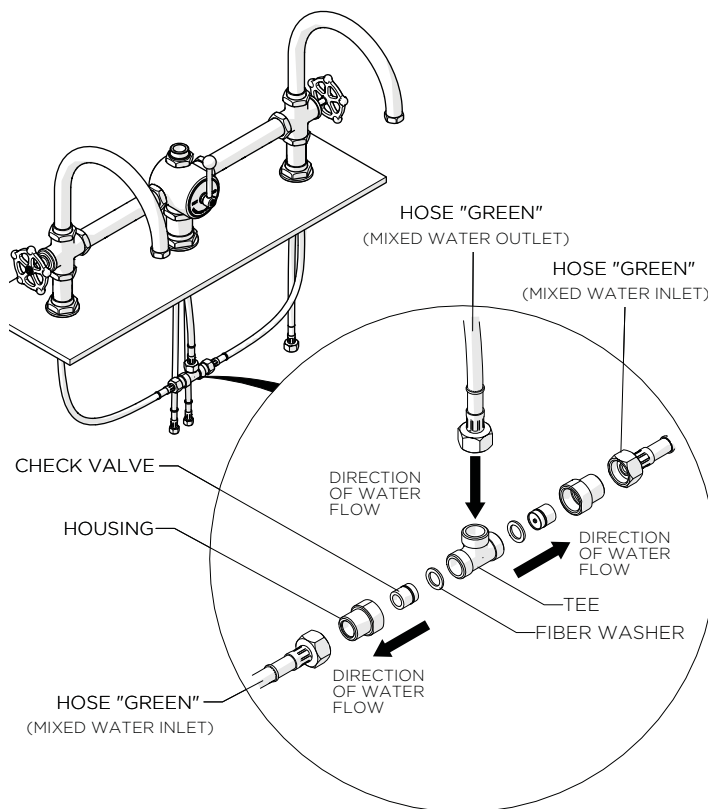
**FIGURE - 06**

10. Remove the NUT, METAL WASHER, and RUBBER WASHER from the SHANK on the SPOUT. Do **NOT** remove the O-RING beneath the ESCUTCHEON.
11. Ensure that the HOSE is securely tightened to the SPOUT, then insert the SHANK through 1 of the Ø1-3/4" [44mm] holes on the mounting surface making sure the O-RING is beneath the ESCUTCHEON.
- **NOTE:** The HOSE is marked with a "GREEN" ZIP TIE to identify its function. This hose is for incoming mixed water.
12. Ensure that the flanged end of the TUBE sits flush with the SPOUT VALVE BODY. See FIGURE - 05. Thread and tighten the both NUTS on the TUBE.

**CAUTION:** The TUBES can be cut if necessary, adjust as needed. Do **NOT** cut the flanged end.

#### HOSE CONNECTIONS:

- See Figure - 07 for steps 13 - 14.



**FIGURE - 07**

13. Re-attach the TEE from step 1 to the HOSE from the TEMPERATURE VALVE BODY with the "GREEN" ZIP TIE. Attach the end of the TEE with no CHECK VALVE.
14. Connect the HOSE with the "GREEN" ZIP TIES from both SPOUTS to the TEE.
- See Figure - 08 for steps 15 - 18.
15. Insert the male end of the SPRAY HOSE into the top of the TEMPERATURE VALVE and attach the COUNTER WEIGHT.
16. Connect the SPRAY HOSE to the EXTENSION HOSE using the ADAPTER and RUBBER WASHER.
- **NOTE:** The EXTENSION HOSE is marked with a "YELLOW" ZIP TIE.
17. Connect the HOSE with the "YELLOW" ZIP TIE from the SPOUT WITH DIVERTER to the DUAL CHECK VALVE HOUSING making sure the CHECK VALVES are orientated properly and water will flow in the correct direction.

**NOTE:** Only 1 of the CHECK VALVES is flow regulated. It is regulated at 2.2gpm.

18. Connect the EXTENSION HOSE to the CHECK VALVE HOUSING.

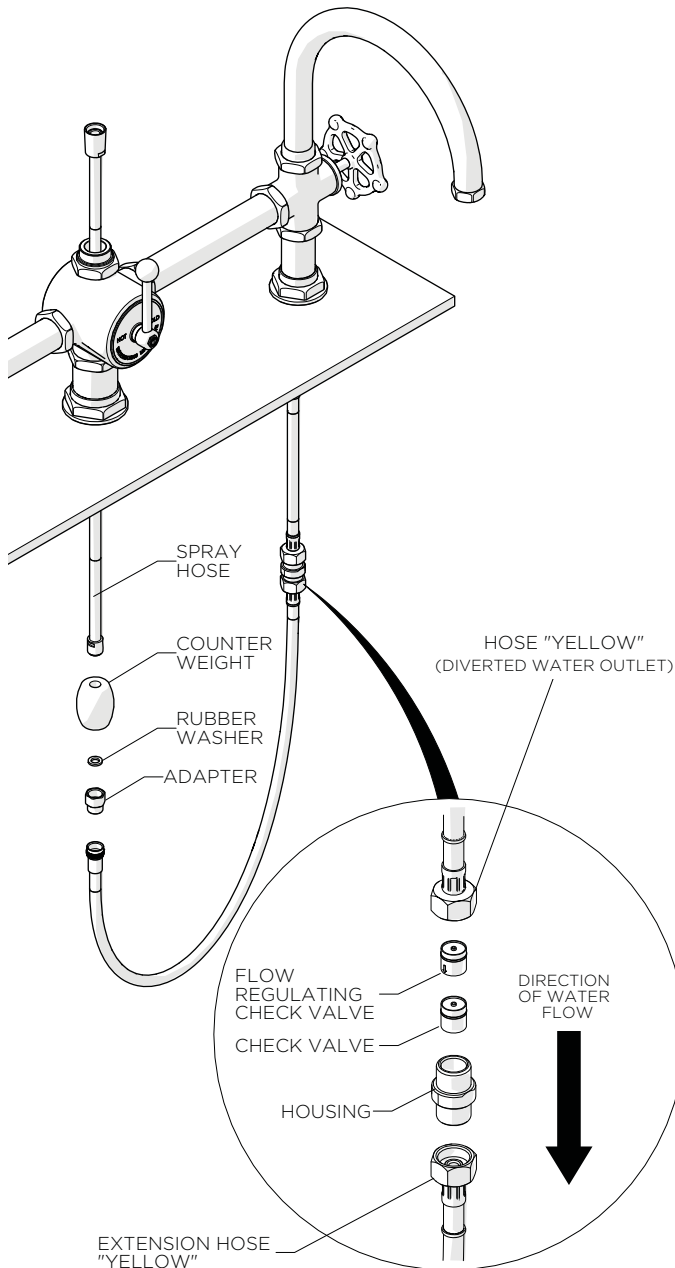


FIGURE - 08

**FINISH AND INSPECT THE INSTALLATION:**

19. Attach the SPRAY to the SPRAY HOSE and place it into the top of the TEMPERATURE VALVE BODY.
20. Attach the CHECK VALVE HOUSINGS from step 1 to the SUPPLY KITS (not supplied). See FIGURE - 09.

**CAUTION:** Failure to install the CHECK VALVES onto the inlet supplies will result in water crossover since the TEMPERATURE VALVE does not have a shut-off.

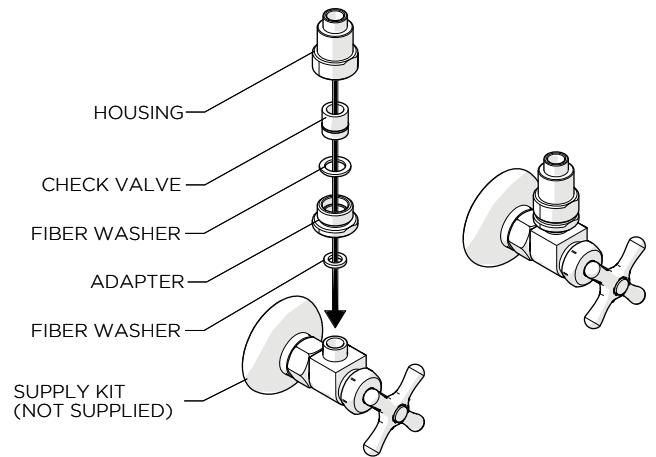


FIGURE - 09

21. Connect the hot & cold HOSES to the corresponding SUPPLY KITS (not supplied).

**NOTE:** The HOSES are marked with colored ZIP TIES to identify their function. **RED** for incoming hot supply water and **BLUE** for incoming cold supply water.

22. Remove the AERATOR from both SPOUTS using the TOOL provided then open both supplies and carefully turn the WHEEL HANDLES to flush out any debris in the supply lines before operating the SPRAY.

**NOTE:** Both SPOUTS can operate at the same time.

23. Inspect all connections for leaks.
24. Operate the LEVER HANDLE and ensure that a range of temperatures exists.
25. With the SPOUT WITH DIVERTER on, operate the SPRAY to ensure that water is being diverted properly. No water should flow out of the SPOUT while the SPRAY is being operated.
26. Shut the water off and re-install the AERATORS.

**WHEEL HANDLE OPERATION:**

1. The SPOUT WITH DIVERTER is intended to be installed on the right side of the TEMPERATURE VALVE and contains a **COUNTERCLOCKWISE ON CARTRIDGE**.
2. The SPOUT WITHOUT DIVERTER is intended to be installed on the left side of the TEMPERATURE VALVE and contains a **CLOCKWISE ON CARTRIDGE**.
3. When the SPOUTS are installed on opposite sides, if desired, the CARTRIDGES can be swapped in order for the HANDLES to operate as intended.
4. Refer to the *SERVICING THE SHUT-OFF CARTRIDGE(S)* section of this document for information on how to access and remove the CARTRIDGES.

These guidelines have been prepared for the professional contractor to aid in the installation of: REGULATOR GOOSENECK DOUBLE SPOUT MARQUEE KITCHEN FAUCET WITH METAL WHEEL HANDLES AND SPRAY (STYLE No. RGKM50, RG50KM UK)  
All dimensions are based on original specification and are subject to change and variation. Please consult your Design Associate for current specifications.

## SERVICING THE SPOUT(S) AND DIVERTER:

➤ See Figure - 10 for steps 1 - 4.

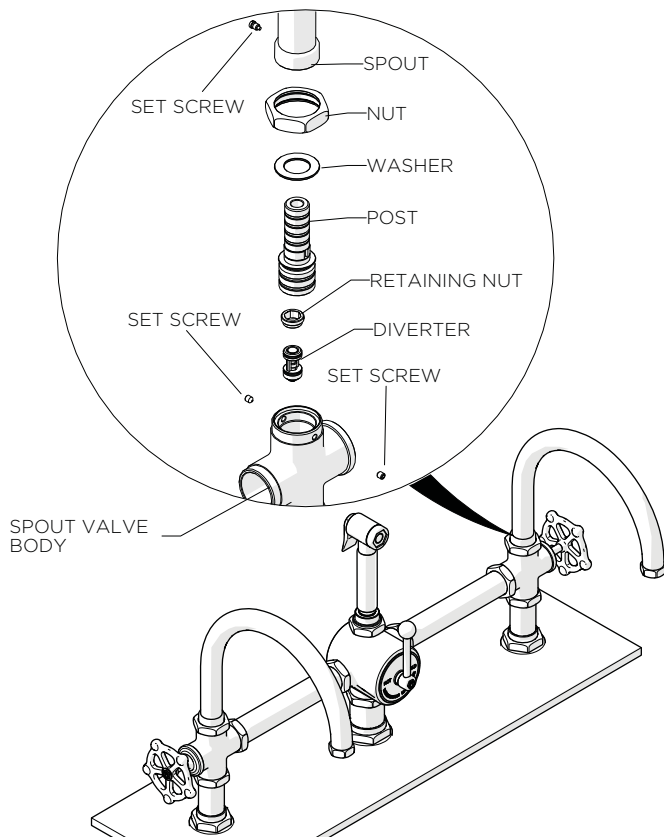


FIGURE - 10

1. Unthread the slotted SET SCREW at the base of the SPOUT then pull the SPOUT up.
2. Unthread and remove the NUT to expose the SET SCREWS on the front and back of the SPOUT VALVE BODY.
3. Unthread the SET SCREWS on the SPOUT VALVE BODY using a 2.5mm HEX KEY then pull the POST up to remove it along with the PLASTIC WASHER.
4. Unthread and remove the RETAINING NUT using a 12mm HEX KEY then remove the DIVERTER.

## SERVICING THE SHUT-OFF CARTRIDGE(S):

➤ See Figure - 11 for steps 1 - 2.

1. To access the SHUT-OFF CARTRIDGE, unthread the SCREW then remove the HEX COLLAR, METAL WASHER, WHEEL HANDLE, and HANDLE STEM.
2. Unthread the GLAND COVER to expose the SHUT-OFF CARTRIDGE then remove the CARTRIDGE using a 17mm wrench.

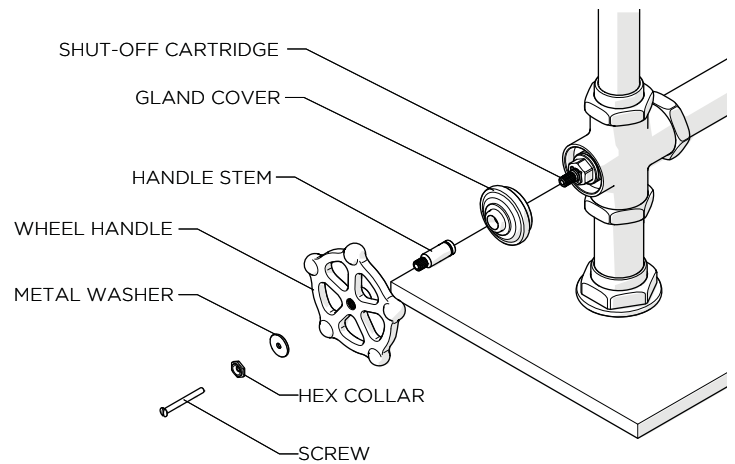


FIGURE - 11

## SERVICING THE MIXING CARTRIDGE:

➤ See Figure - 12 for steps 1 - 3.

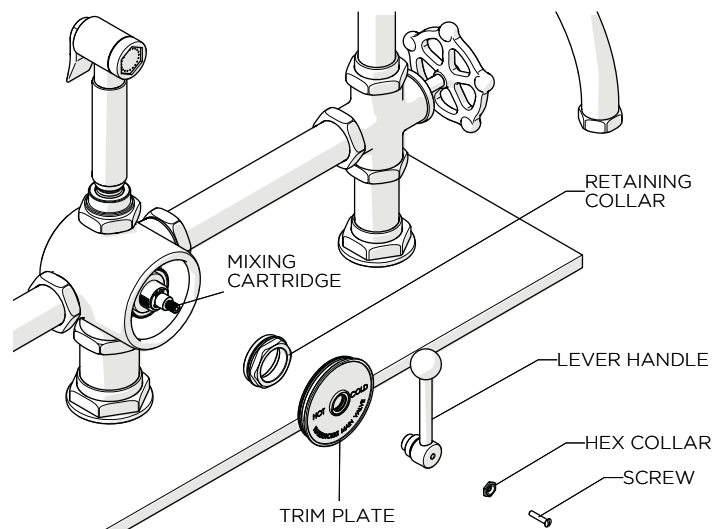


FIGURE - 12

1. To access the MIXING CARTRIDGE, unthread the SCREW then remove the HEX COLLAR and LEVER HANDLE.
2. Remove the TRIM PLATE.
  - **NOTE:** There is a small slot at the base of the TRIM PLATE to insert a flat head screw driver to help remove the PLATE. Make sure not to damage the TRIM PLATE or VALVE BODY.
3. Remove the RETAINING COLLAR using a 38mm wrench then remove the MIXING CARTRIDGE.
  - If further assistance is required, please contact Product Support at 1-800-927-2120 Monday through Friday, 8am - 7pm EST.
  - See the service part document for parts ordering, available on WATERWORKS.COM.