

## CRYSTAL

CRMR68

Crystal Freestanding Large 7 1/4" dia. Magnifying Mirror



SHOWN IN CRYSTAL FREESTANDING LARGE 7 1/4" DIA. MAGNIFYING MIRROR| CRMR68

### TECHNICAL DETAILS

---

Depth / Width: 5 1/16"  
Height: 19 1/2"  
Length: 8 5/8"  
Primary Material: Brass  
Suggested Application: Bath

### INSPIRATION

---

Comprehensive and universal, the classic design of Crystal is appropriate to partner with any line of fittings and fixtures from modern to traditional. The weight and quality of these handcrafted pieces is unsurpassed.

### PRODUCT FEATURES

---

7 1/4" Diameter  
Adjustable Stand  
Made from Brass  
Chrome, Matte Nickel & Nickel Finishes

### PRODUCT (NOTES)

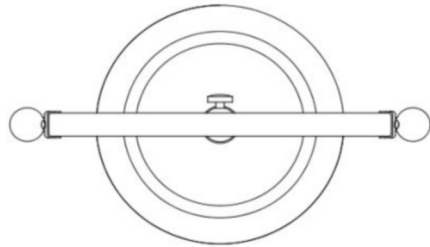
---

Double sided mirror. 3x magnification on one side; 1x magnification on the other

## CRYSTAL

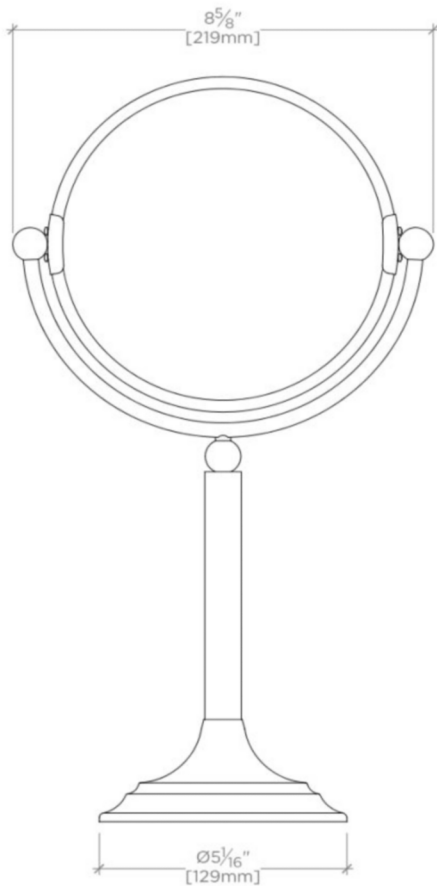
CRMR68

Crystal Freestanding Large 7 1/4" dia. Magnifying Mirror



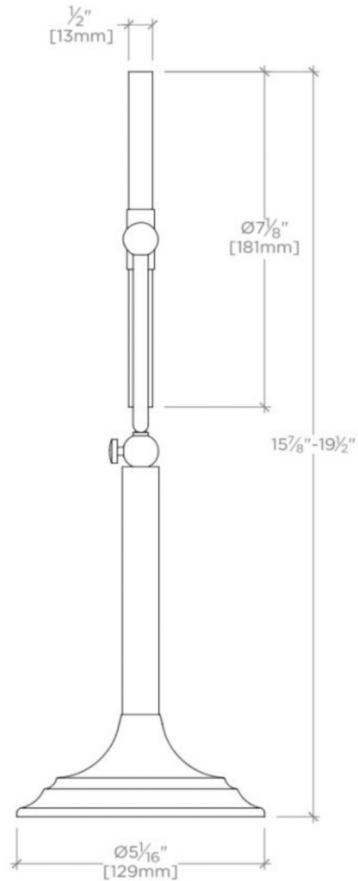
TOP VIEW

SCALE: 3"=1'-0"



FRONT VIEW

SCALE: 3"=1'-0"



SIDE VIEW

SCALE: 3"=1'-0"