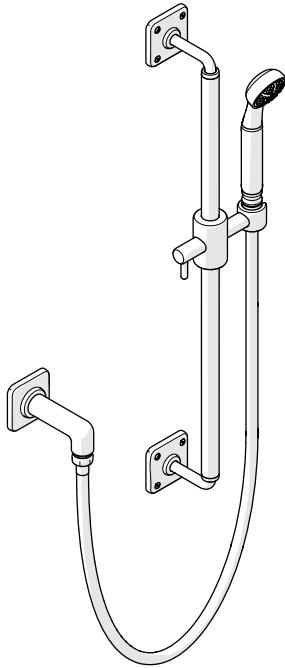


**STYLE No. LDHS10<sup>†</sup>**



**SPECIFICATIONS:**

Adjustable versus Fixed Spray: Fixed Spray  
 Diameter of Head: Ø2-1/16" [52mm]  
 Fittings Hole Diameter: 1" [25mm]  
 Handshower Hose Length: 59" [1.5m]  
 Inlet Connection: 1/2" Female NPT  
 Integrated Diverter: No  
 Pivot: Yes  
 Restricted Maximum Flow Rate: 2.0gpm [7.5L/min]  
 Water Pressure: 20psi [1.5bar] MIN - 85psi [6.0bar] MAX  
 Water Pressure Recommended: 45.0psi [3.0bar]

<sup>†</sup> UK Style No. **LD10HS** is supplied with 1 **BSP** adapter, assembly required.

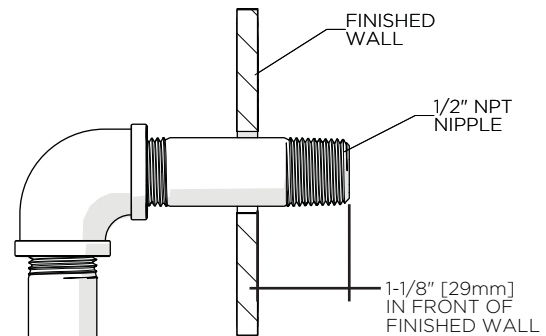
**IMPORTANT:**

- **The SCREWS on the front of the ESCUTCHEONS are aesthetic only and do not serve any mechanical purpose and should not be removed.**
- To ensure this product is installed properly, you must read and follow these guidelines.
- The owner/user of this product must keep this information for future reference.
- This product must be on-site prior to rough-in. This allows the installer to visualize the installation. A diverter or wall valve (sold separately) and trim must be installed to control on/off/volume functions.
- This product must be installed by a professional licensed contractor. Be sure your installation conforms to all federal, state, and local codes. In the State of Massachusetts, all installations must comply with the rules and regulations set forth within 248 CMR.

- Adequate blocking in the wall is required.
- Inspect the product to ensure you have all the parts required for proper installation. Use only a strap wrench or protected/smooth-jaw wrench on any finished surface.
- The use of certain plumber's putty may stain stone or tile surfaces.

**ROUGH IN:**

1. Install a diverter or wall valve (sold separately) at the desired location.
2. Finish the rough-in by installing a well supported 1/2" female elbow (not supplied) and install a 1/2" NPT nipple (not supplied) of appropriate length. Ensure the front face of the nipple is 1-1/8" [29mm] from the finished wall as shown in Figure - 01.

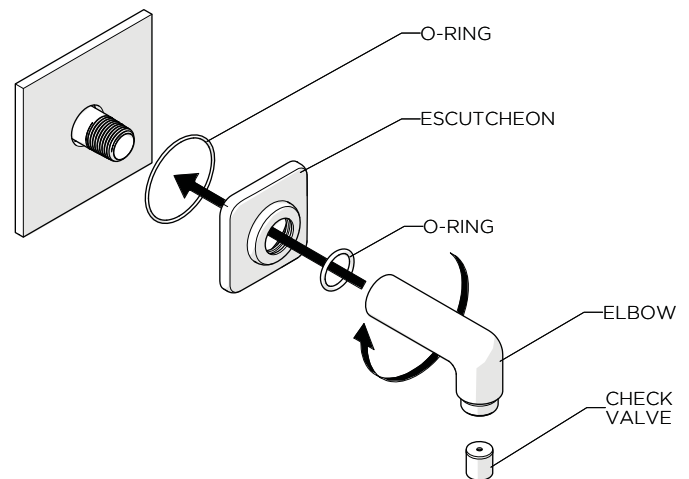


**FIGURE - 01**

3. Determine the ideal location of the BAR, based on the clients preferences, and install adequate wood blocking or position over a stud to properly secure the BAR.

**ELBOW INSTALLATION:**

- See Figure - 02 for Steps 4 - 5.



**FIGURE - 02**

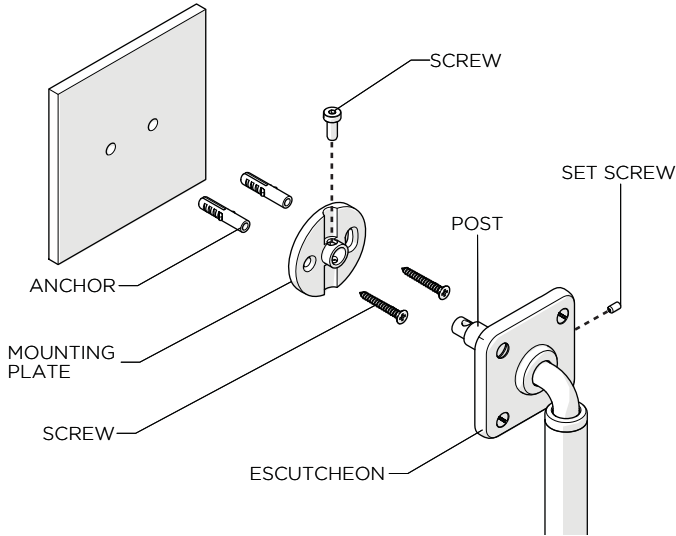
These guidelines have been prepared for the professional contractor to aid in the installation of:  
**LUDLOW HANDSHOWER ON BAR WITH METAL HANDLE (STYLE No. LDHS10, LD10HS).**  
 All dimensions are based on original specification and are subject to change and variation.  
 Please consult your Design Associate for current specifications.

**WATERWORKS**  
STUDIO

4. Slide the ESCUTCHEON over the nipple making sure to include the O-RING provided.
- The ESCUTCHEON also has an internal O-RING.
5. Hold the ESCUTCHEON against the finished wall and thread the ELBOW onto the nipple. Make sure the ESCUTCHEON is pulled tight to the finished wall.

**BAR INSTALLATION:**

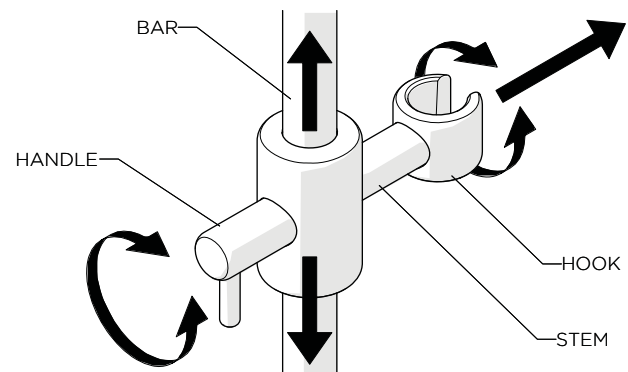
- See Figure - 03 for Steps 6 - 11.

**FIGURE - 03**

- **The SCREWS on the front of the ESCUTCHEONS are aesthetic only and do not serve any mechanical purpose and should not be removed.**
6. Loosen the SET SCREWS on the ESCUTCHEONS using a 1/16" [1.5mm] hex key then slide the ESCUTCHEONS up the POSTS to expose the MOUNTING PLATES.
  7. Dry fit the BAR to the wall making sure the BAR is level and the MOUNTING PLATES are at a 24" [610mm] on-center spread. Mark the locations where the SCREWS will be installed.
  8. Unthread the SCREWS holding the MOUNTING PLATES to the POSTS using a 1/8" [3mm] hex key and remove the PLATES.
  9. Attach the MOUNTING PLATES to the finished wall using the marks made in Step 7 with the ANCHORS and SCREWS provided.
  10. Insert the POSTS into the MOUNTING PLATES then thread and securely tighten the SCREWS with a 1/8" [3mm] hex key.
  11. Slide the ESCUTCHEONS down the POSTS until they contact the finished wall and align them with the SET SCREW either on the left or right side. Securely tighten the SET SCREW using a 1/16" [1.5mm] hex key.

**FINISH AND INSPECT THE INSTALLATION:**

12. Connect the hex end of the HOSE to the ELBOW then turn on the water supply and a diverter or wall valve (sold separately) to flush out any debris in the supply line.
13. Inspect all connections for leaks and turn the water off.
14. Connect the conical end of the HOSE to the HANDSHOWER then place it into the adjustable HOOK.
- NOTE: A FLOW REGULATING CHECK VALVE is located in the inlet of the HANDSHOWER.
15. To adjust the hook:
  - Height: Loosen the HANDLE then slide to the desired height and tighten the HANDLE. See Figure - 04.
  - Angle: Pull the HOOK and rotate to the desired angle. The HOOK has a spline pattern which allows the angle to change 22.5° at a time. The HOOK is spring loaded and will draw back into STEM when the spline is aligned properly. See Figure - 04.

**FIGURE - 04**

- If further assistance is required, please contact Product Support at 1-800-927-2120 Monday through Friday, 8am - 7pm EST.
- Refer to the separate Service Parts Documents for available replacement parts.
- The BSP adapters can be ordered separately:
- Universal 1/2" NPT Male x 1/2" BSP 50mm Long Male Nipple Adapter  
**STYLE No. UNUK04**

These guidelines have been prepared for the professional contractor to aid in the installation of:  
LUDLOW HANDSHOWER ON BAR WITH METAL HANDLE (STYLE No. LDHS10, LD10HS).  
All dimensions are based on original specification and are subject to change and variation.  
Please consult your Design Associate for current specifications.

**WATERWORKS**  
STUDIO