

WATERWORKS

PRODUCT SUPPORT
800.927.2120
WATERWORKS.COM

EASTON CLASSIC

Classic Wall Unions 2 7/8" in Chrome

STYLE No. 098644
REFERENCE No. EATU18C
ITEM No. 26-44068-16981

SPECIFICATIONS
PAGE 1 OF 3

DESIGN

Easton is a timeless escape and draws on the deep waters of Edwardian style. Easton is the most extensive family in the Waterworks collection, with a range of moods from traditional to modern, and a selection of products from fittings to furniture.

FEATURES

Brass metal is used for all trim and valve components

The manufacturing process encompasses casting, turning, forging, hand-fitting and hand polishing.

Easton is our most comprehensive fittings family.

Easton has a clean-lined utilitarian profile, with a slightly elongated spout.



SHOWN IN Nickel

WATERWORKS

PRODUCT SUPPORT
800.927.2120
WATERWORKS.COM

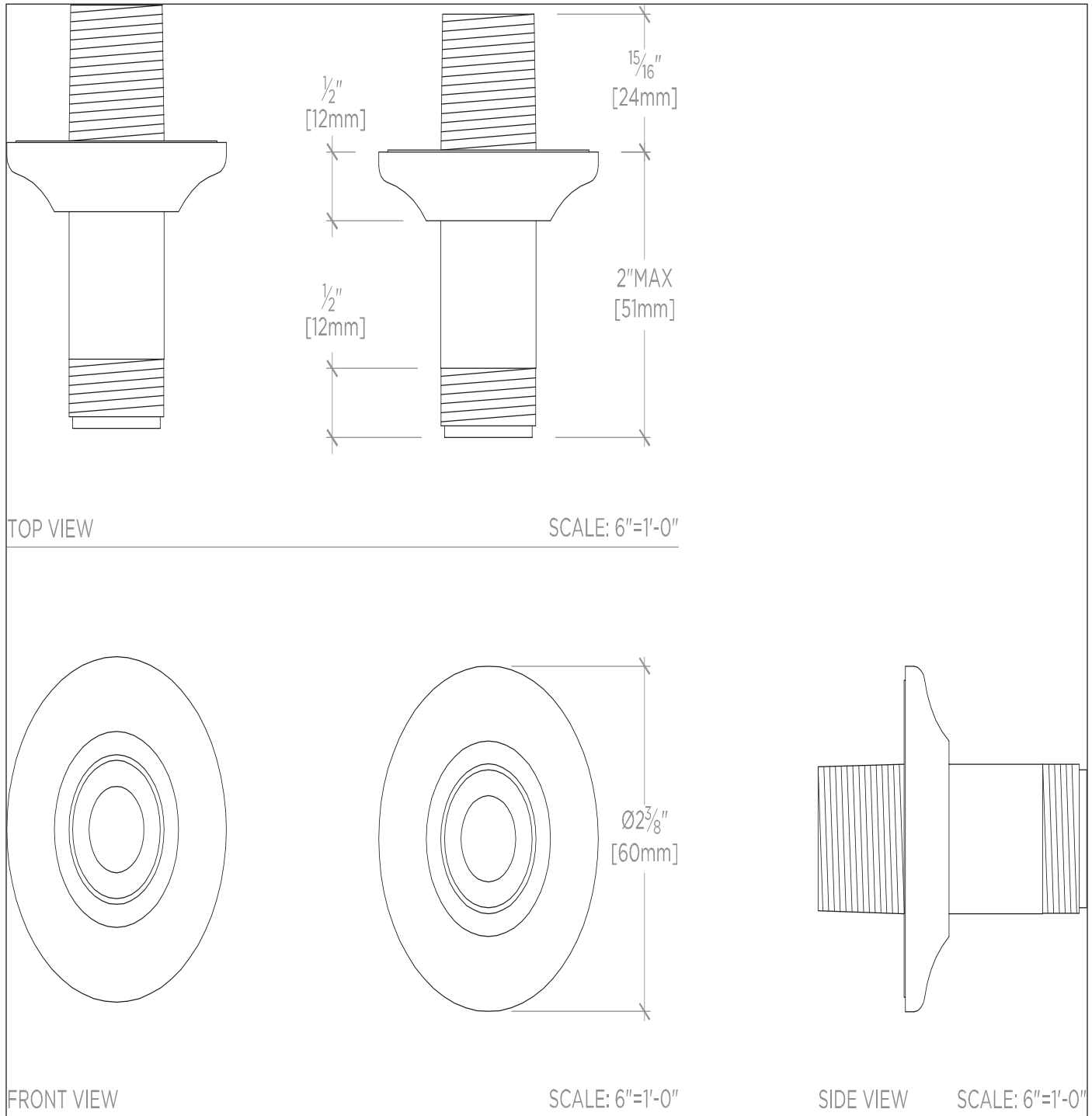
EASTON CLASSIC

Classic Wall Unions 2 7/8" in Chrome

STYLE No. 098644
REFERENCE No. EATU18C
ITEM No. 26-44068-16981

SPECIFICATIONS
PAGE 2 OF 3

All dimensions are based on original specifications and are subject to change and variation. Please consult your Design Associate for current specifications.



WATERWORKS

PRODUCT SUPPORT
800.927.2120
WATERWORKS.COM

EASTON CLASSIC

Classic Wall Unions 2 7/8" in Chrome

STYLE No. 098644
REFERENCE No. EATU18C
ITEM No. 26-44068-16981

SPECIFICATIONS
PAGE 3 OF 3

SPECIFICATIONS

Primary Material: Brass
Fittings Hole Diameter: 1 3/8"
Inlet Connection Size: 3/4"
Inlet Connection Type: Male NPT

CARE INSTRUCTIONS

Wash surfaces gently with a soft damp cloth;
use a neutral liquid soap with water for daily
cleaning, dry any overspray.

CODES AND STANDARDS