

## EASTON

EAKM04

Easton Classic Two Hole Bridge Gooseneck Kitchen Faucet, Black Porcelain Lever Handles



SHOWN IN EASTON CLASSIC TWO HOLE BRIDGE GOOSENECK KITCHEN FAUCET, BLACK PORCELAIN LEVER HANDLES]

### TECHNICAL DETAILS

ADA Compliance: Yes  
 Adjustable versus Fixed Spray: Fixed Spray  
 Deck Thickness Maximum: 32 mm  
 Deck Thickness Minimum: 0 mm  
 Fittings Hole Diameter: 25 mm  
 Flow Restriction Options: 1.75, 1.5, 1.0  
 Handle Spread Maximum: 200 mm  
 Handle Spread Minimum: 200 mm  
 Handle Turn Angle: Quarter Turn  
 Index Color / Finish and Material: White Porcelain  
 Depth / Width: 337 mm  
 Height: 406 mm  
 Inlet Connection Size: 1/2"  
 Inlet Connection Type: Straight Male Threads  
 Inlet Supply Spread Maximum: 276 mm  
 Inlet Supply Spread Minimum: 124 mm  
 Length: 343 mm  
 Number of Holes: Two Hole  
 Primary Material: Brass  
 Restricted Maximum Flow Rate: 8.3 liters/min  
 Spray Included in Unit: N  
 Suggested Application: Bar, Kitchen, Laundry  
 Valve Material: Ceramic  
 Water Pressure Maximum: 6.0 bar  
 Water Pressure Minimum: 1.5 bar  
 Water Pressure Recommended: 3.0 bar

### INSPIRATION

Drawing on Edwardian style, Easton is the most extensive Waterworks family; a range of moods and a selection of products from fittings to furniture.

### CODES & STANDARDS

Code # EAKM04: CEC

### PRODUCT FEATURES

Brass metal is used for all trim and valve components  
 The manufacturing process encompasses casting, turning, forging, hand-fitting and hand polishing.  
 Easton is our most comprehensive fittings family.  
 Easton has a clean-lined utilitarian profile, with a slightly elongated spout.  
 Standard flow rate is 2.2gpm (8.3 L/min) and State of California requires a maximum of 1.8gpm(6.8 L/min). Also available in other flow options. Contact a sales associate for details.

### CERTIFICATIONS



### PRODUCT (NOTES)

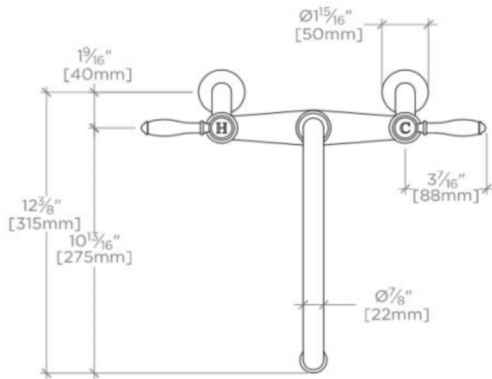
Spray sold separately

# WATERWORKS

## EASTON

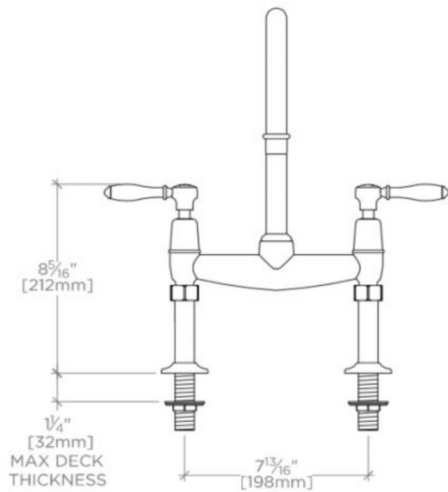
EAKM04

Easton Classic Two Hole Bridge Gooseneck Kitchen Faucet, Black Porcelain Lever Handles



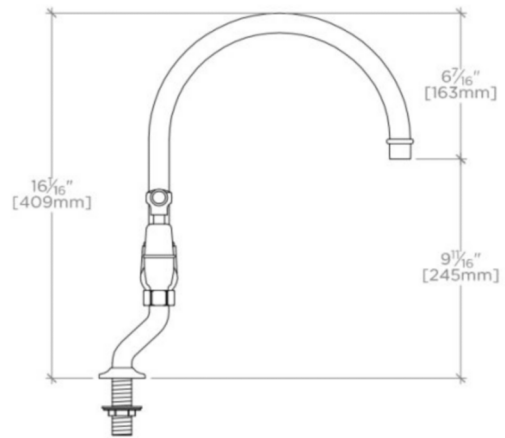
TOP VIEW

SCALE:  $1\frac{1}{2}$ "=1'-0"



FRONT VIEW

SCALE:  $1\frac{1}{2}$ "=1'-0"



SIDE VIEW

SCALE:  $1\frac{1}{2}$ "=1'-0"