

## WATERWORKS

PRODUCT SUPPORT  
800.927.2120  
WATERWORKS.COM

# ELSA

Volume Control Valve Trim with Metal Cross  
Handles in Chrome

**STYLE No.** ELVC56  
**REFERENCE No.** ELSV56C  
**ITEM No.** 05-21564-92495

**SPECIFICATIONS**  
PAGE 1 OF 3

### DESIGN

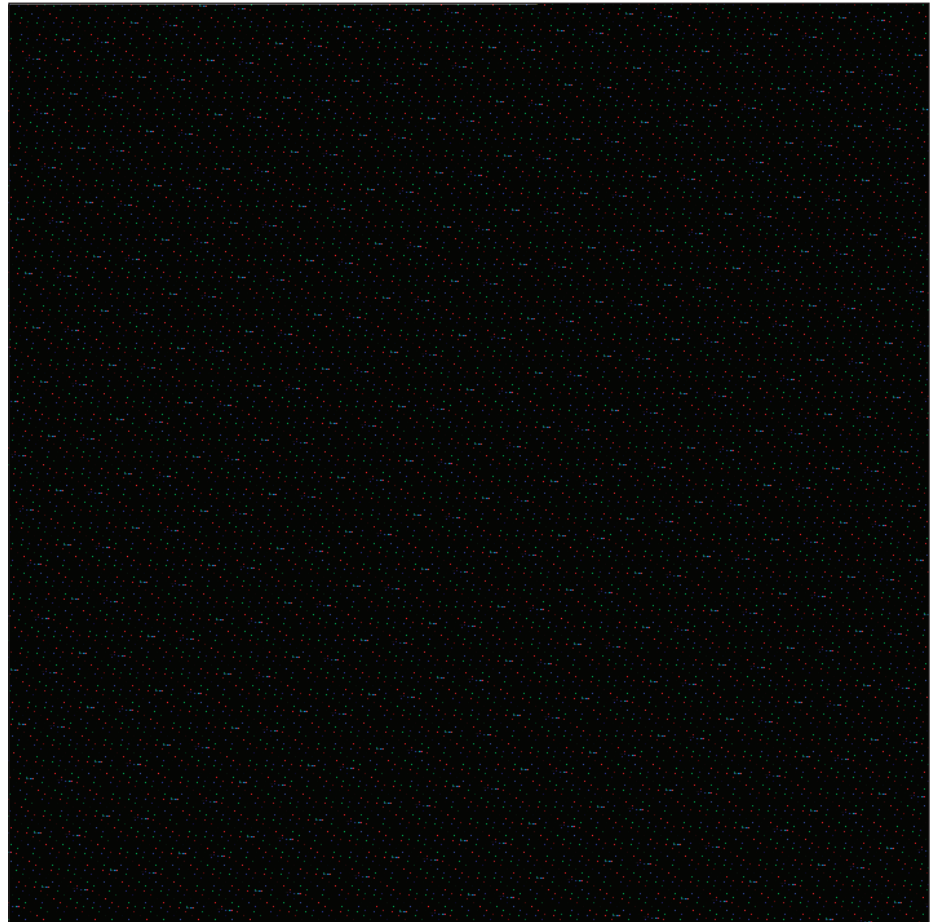
An updated 1930's design that is curvaceous and bold; Elsa conveys charm, warmth and a touch of whimsy.

### FEATURES

Brass material is used for all trim and valve component parts.

The manufacturing process encompasses casting, turning, hand-fitting and hand polishing.

The smooth, sculptural contours and simplified linear detail ensure that Elsa will be comfortable and welcomed in any bathroom.



SHOWN IN Chrome

**WATERWORKS**

PRODUCT SUPPORT  
800.927.2120  
WATERWORKS.COM

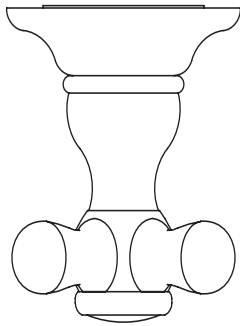
**ELSA**

Volume Control Valve Trim with Metal Cross  
Handles in Chrome

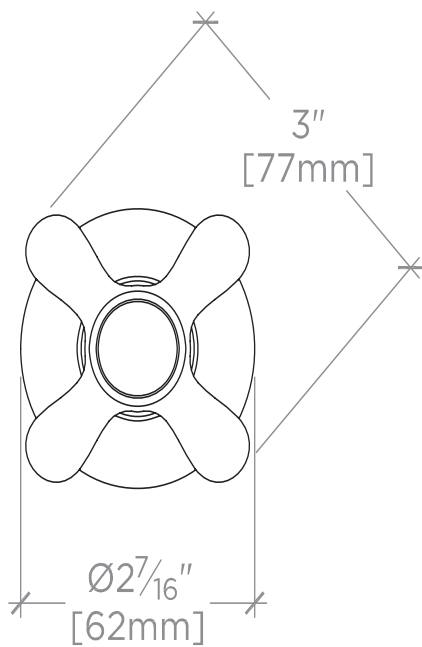
**STYLE No.** ELVC56  
**REFERENCE No.** ELSV56C  
**ITEM No.** 05-21564-92495

**SPECIFICATIONS**  
PAGE 2 OF 3

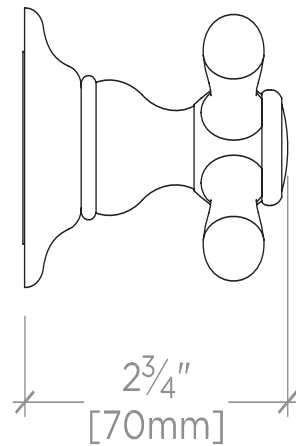
*All dimensions are based on original specifications and are subject to change and variation. Please consult your Design Associate for current specifications.*



TOP VIEW SCALE: 3"=1'-0"



FRONT VIEW SCALE: 3"=1'-0"



SIDE VIEW SCALE: 3"=1'-0"

## WATERWORKS

PRODUCT SUPPORT  
800.927.2120  
WATERWORKS.COM

# ELSA

Volume Control Valve Trim with Metal Cross  
Handles in Chrome

**STYLE No.** ELVC56  
**REFERENCE No.** ELSV56C  
**ITEM No.** 05-21564-92495

**SPECIFICATIONS**  
PAGE 3 OF 3

### SPECIFICATIONS

Primary Material:

Control Valve Rough-in Depth Minimum: 1  $\frac{3}{4}$ "

Control Valve Rough-in Depth Maximum: 3"

Diverter Valve Rough-in Depth Minimum: 2  $\frac{1}{4}$ "

Diverter Valve Rough-in Depth Maximum: 2  $\frac{5}{8}$ "

### CARE INSTRUCTIONS

Wash surfaces gently with a soft damp cloth; use a neutral liquid soap with water for daily cleaning, dry any overspray.

### CODES AND STANDARDS FLOW RATE CURVE

### REQUIRED PLUMBING DETAILS

Below is a list of choices that must be made to complete your lavatory faucet.