

## LUDLOW

Ludlow Shinola Edition Lavatory Faucet with Two-Tone Lever Handles

LDLSSE



### TECHNICAL DETAILS

ADA Compliance: Yes  
Deck Thickness Maximum: 1 15/16"  
Deck Thickness Minimum: 3/8"  
Drain Assembly Materials: BRASS  
Drain Depth Maximum: 2"  
Drain Hole Diameter: 1 1/2"  
Drain Style: European Size Push Touch  
Escutcheon Primary Material: Brass  
Fittings Hole Diameter: 1 1/4"  
Flow Restriction Options: 1.0 , 1.2 , 1.5 , 1.75, 2.2  
Handle Spread Maximum: 12"  
Handle Spread Minimum: 8"  
Handle Turn Angle: Quarter Turn  
Depth / Width: 7 7/16"  
Drain Depth Minimum: 1 3/8"  
Height: 3 5/16"  
Inlet Connection Size: 1/2"  
Inlet Connection Type: Male with Supply Nut  
Inlet Supply Spread Maximum: 12"  
Inlet Supply Spread Minimum: 8"  
Length: 15"  
Number of Handles: Two  
Number of Holes: Three Hole  
Primary Material: Brass  
Spout Swivel: N  
Suggested Application: Bath  
Valve Material: Ceramic  
Water Pressure Maximum: 85.0 psi  
Water Pressure Minimum: 20.0 psi  
Water Pressure Recommended: 45.0 psi

### INSPIRATION

A touch of classic Americana. Our fresh take on iconic industrial design has clean lines and dimensional details.

### PRODUCT FEATURES

Push touch USA style drain included.

This Item is stocked in Nickel/Shinola Steel

Lever Handles

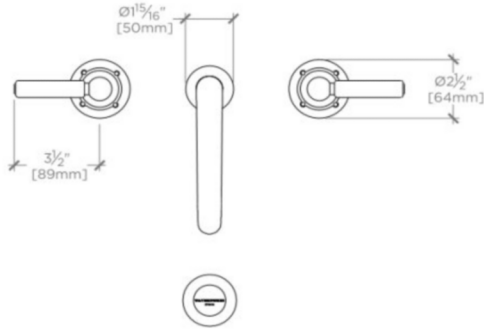
Standard flow rate is 1.2gpm (4.5 L/min) and meets State of California requirements. Also available in other flow options. Contact a sales associate for details.

# WATERWORKS

## LUDLOW

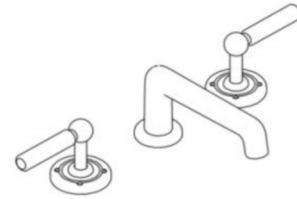
## LDLSSE

Ludlow Shinola Edition Lavatory Faucet with Two-Tone Lever Handles



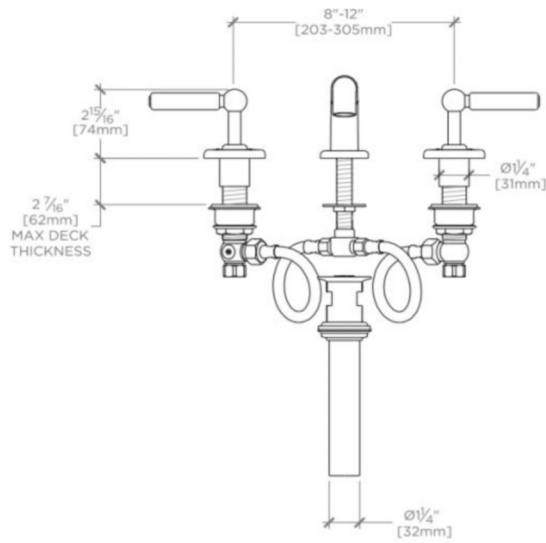
TOP VIEW

SCALE: 1/2"=1'-0"



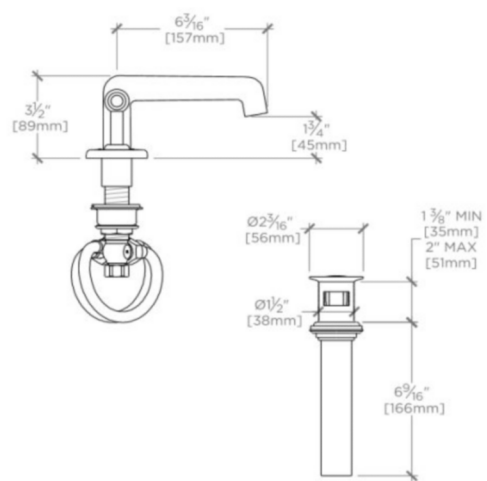
ISO VIEW

SCALE: 1/2"=1'-0"



FRONT VIEW

SCALE: 1/2"=1'-0"



SIDE VIEW

SCALE: 1/2"=1'-0"