

DERBY

DYLT00

Derby Wall Mounted Single Arm Small Sconce with Metal Shade



SHOWN IN DERBY WALL MOUNTED SINGLE ARM SMALL SCONCE WITH METAL SHADE| DYLT00

TECHNICAL DETAILS

Ambient / Task: Task
Bulb Base Size: E26
Bulb Type: Edison Filament
Depth / Width: 9 5/8"
Height: 10 3/4"
Installation Type: Wall Mounted
Interior / Exterior Application: Interior Only
Junction Box Orientation: Any
Length: 7 3/8"
Number of Bulbs: One
Orientation: Down
Primary Material: Brass
Safety Warnings: Do not exceed max wattage
Shade Finish: Match to Fixture
Shade Material: Brass
Shade Shape: Dome
Voltage: 120
Wet / Dry: Damp or Dry

INSPIRATION

Inspired by library lights, Derby is traditional with curves that lend playful character. Demonstrating a cleaned-up sensibility, the sconce's pivoting shades allow for direct or reflected light.

CODES & STANDARDS

UL and CUL

PRODUCT FEATURES

Swivel knob for directing light
Solid brass
Uses 60 Watt Edison Filament Bulb (included)
UL and CUL Listed

CERTIFICATIONS

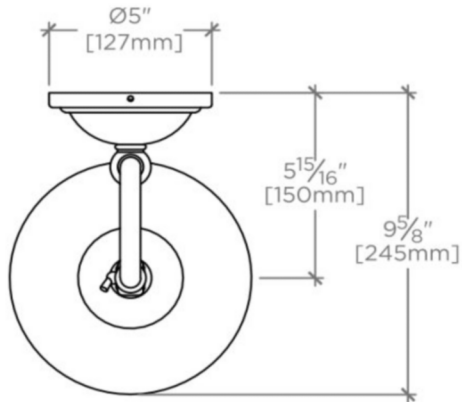


WATERWORKS

DERBY

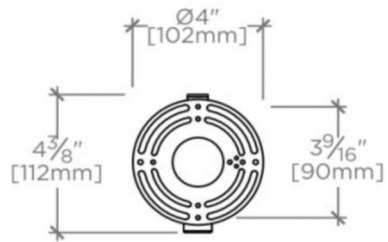
DYLT00

Derby Wall Mounted Single Arm Small Sconce with Metal Shade



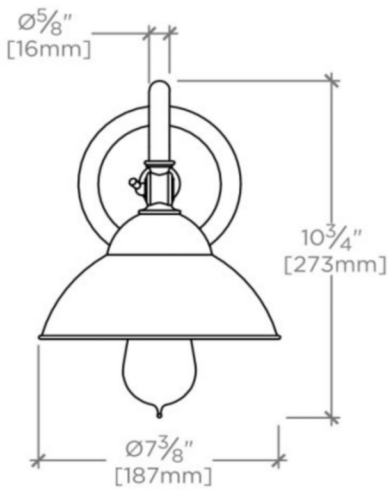
TOP VIEW

SCALE: 2"=1'-0"



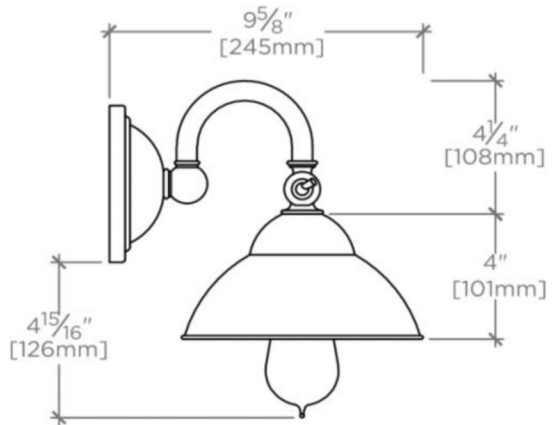
MOUNTING PLATE

SCALE: 2"=1'-0"



FRONT VIEW

SCALE: 2"=1'-0"



SIDE VIEW

SCALE: 2"=1'-0"