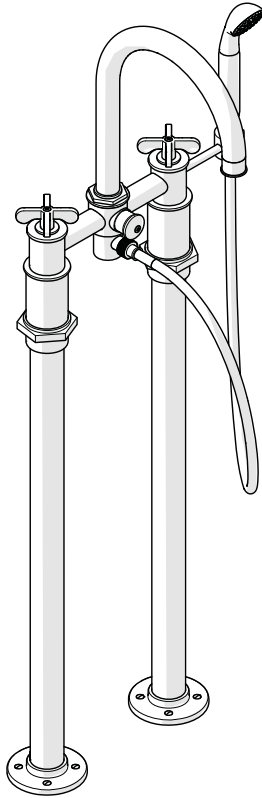
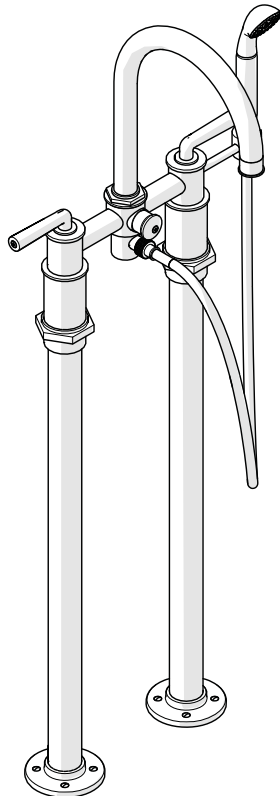


STYLE No. HNXT60
with Cross Handles
Code No. HNTU60



STYLE No. HNXT70
with Lever Handles



SPECIFICATIONS:

Adjustable versus Fixed Spray: Fixed Spray
Fittings Hole Diameter: 1-1/8" [29mm]
Handle Turn Angle: Quarter Turn
Handshower Hose Length: 59" [1.5m]
Inlet Connection: 3/4" Copper Sweat
Inlet Supply Spread: 8" [203mm] (NOT ADJUSTABLE)
Integrated Diverter: Yes
Restricted Max Flow Rate (Handshower Only): 2.5gpm [9.5L/min]
Spout Reach: 8-5/16" [211mm]
Water Pressure Minimum: 20psi [1.5 bar]
Water Pressure Maximum: 85psi [6.0 bar]
Water Pressure Recommended: 45psi [3.0 bar]

IMPORTANT:

- To ensure this product is installed properly, you must read and follow these guidelines.
- The owner/user of this product must keep this information for future reference.
- Be sure your installation conforms to all federal, state, and local codes. Anti-scald protection is the responsibility of the installer and according to applicable codes. In the State of Massachusetts, all installations must comply with the rules and regulations set forth within 248 CMR.
- This product must be installed by a professional licensed contractor.
- Product should be on-site prior to rough-in. This allows the installer to visualize the installation and verify the center spread.
- Refer to the specification and assembly drawings attached. Product is sold partially assembled but shown fully disassembled for illustrative and service purposes only.
- Check tub measurements to assure the spout projects far enough into the tub.
- Inspect this product to ensure you have all parts required for proper installation.
- Use only a strap wrench or protected/smooth-jaw wrench on any finished surface.
- Run 3/4" supply lines for maximum flow.
- Install accessible hot and cold service stop valves to facilitate servicing.

These guidelines have been prepared for the professional contractor to aid in the installation of:
HENRY EXPOSED FLOOR MOUNTED TUB FILLER WITH HANDSHOWER AND METAL CROSS HANDLES (STYLE NO. HNXT60) & METAL LEVER HANDLES (STYLE NO. HNXT70).
All dimensions are based on original specification and are subject to change and variation.
Please consult your Design Associate for current specifications.

WATERWORKS

ROUGH-IN:

1. Run well supported 3/4" hot and cold copper supply lines for maximum water flow. The inlet supply spread is 8" on-center and is not adjustable.
2. Determine the location where the supplies will come up through the floor and install a piece of 2 x 10 on its side to serve as a 10" blocking surface for securing the legs to the floor.
3. Drill a 1-1/8" hole in the floor with the proper spread for each of the supplies to pass through.
4. Run the 3/4" copper supplies up through the finished floor and cap-off each line.

LEG INSTALLATION:

IMPORTANT:

- Verify the 8" inlet supply spread prior to installation.
5. Slide the FLANGE over the SUPPLY LINE and position the SCREW holes to the desired location.
 6. Drill 6 holes to accommodate all the screws that will secure the leg to the floor.
 7. Screw the FLANGE to the floor using 2 unfinished 2-3/8" SCREWS. Make sure to use the 2 counter sunk holes for this step. See Figure - 01.

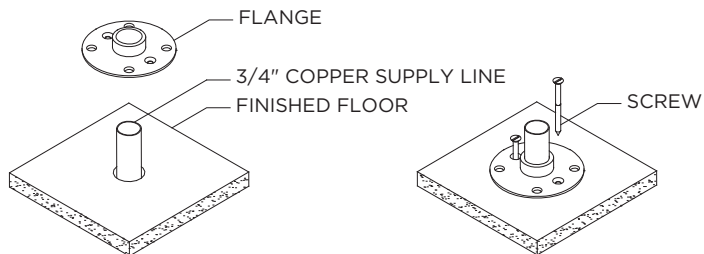


FIGURE - 01

8. Solder the supply line to the inner diameter of the flange for added stability.
9. Extend the supply line and dry fit the leg, stabilizing collar and 3/4" sweat adapter. Cut the supply line so that it does not protrude more than 1/2" above the adapter. See Figure - 02.
10. Remove the sweat adapter, stabilizing collar and leg then make final connections.
11. Slide the escutcheon and leg over the supply line making sure the o-ring is beneath the escutcheon.
12. Screw the escutcheon to the floor using the 4 finished 2-3/8" screws provided.

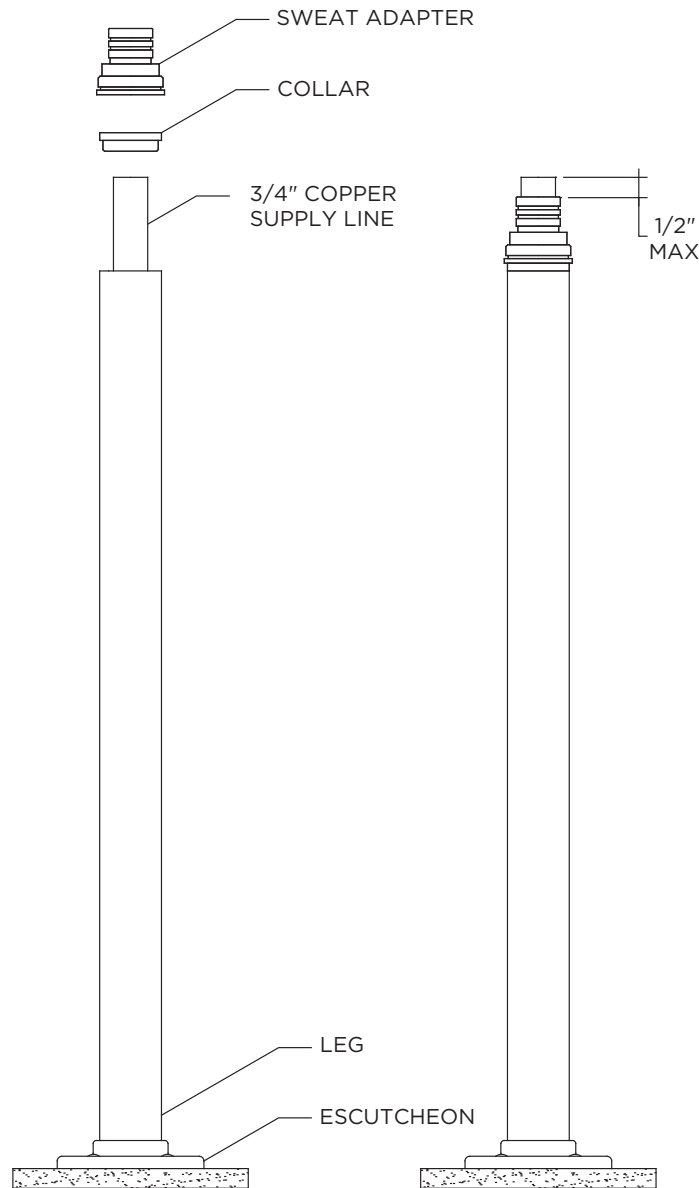


FIGURE - 02

13. Slide the stabilizing collar over the supply line making sure the o-ring is inside the collar then insert the collar into the top of the leg.
14. Slide the 3/4" sweat adapter over the supply line. Ensure the line does not protrude more than 1/2" above the adapter then solder the line to the inner diameter of the adapter.
15. Install the o-rings onto the adapter. DO NOT install the o-rings prior to soldering the adapter to prevent damage to the o-rings. See Figure - 03.
16. Repeat step 5-15 to install the second leg making sure to verify the required 8" spread.

These guidelines have been prepared for the professional contractor to aid in the installation of:
HENRY EXPOSED FLOOR MOUNTED TUB FILLER WITH HANDSHOWER AND METAL CROSS HANDLES (STYLE NO. HNX760) & METAL LEVER HANDLES (STYLE NO. HNX70).
All dimensions are based on original specification and are subject to change and variation.
Please consult your Design Associate for current specifications.

WATERWORKS

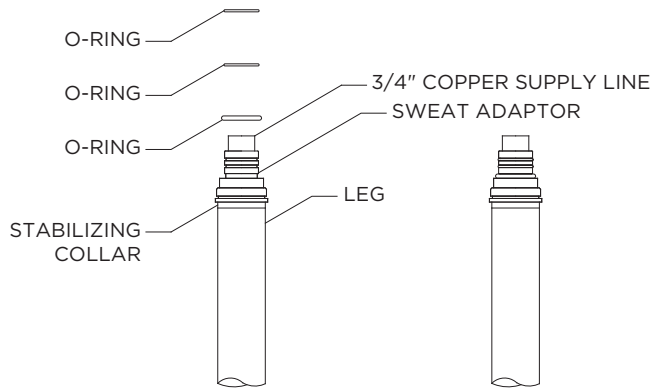


FIGURE - 03

SPOUT INSTALLATION:

17. Align the spout properly and securely tighten the set screw. The spout should not swivel when properly installed.
18. Slide the escutcheons up the unions.
19. Place the unions over the legs and thread the unions onto adaptors until securely tightened. See Figure - 04.

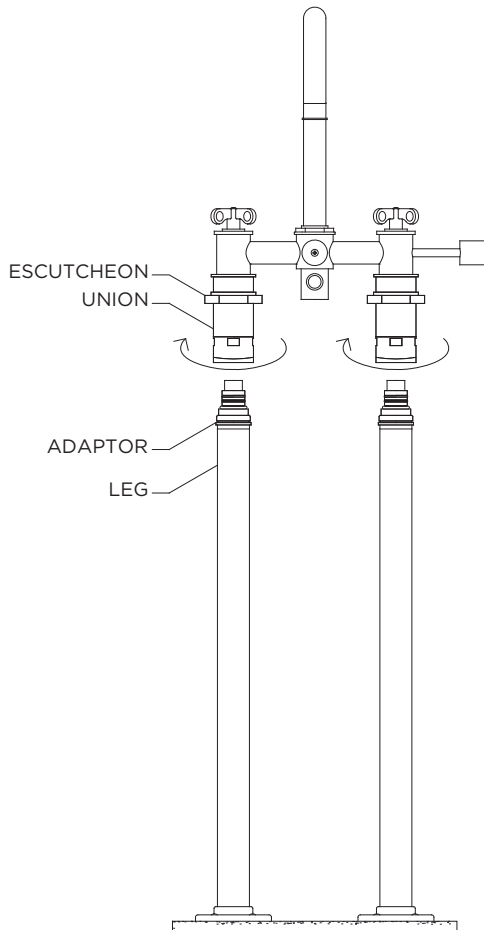


FIGURE - 04

20. Slide the escutcheons down to conceal the flat sides on the unions.

HANDSHOWER INSTALLATION:

21. Connect the conical end of the handshower hose to the handshower assembly. NOTE: A flow restricting check valve is located in the inlet of the handshower.
22. Connect the hex end of handshower hose to the port on the bottom of the valve body. NOTE: A check valve is located in the port.

INSPECT THE INSTALLATION:

23. Turn on the supplies then open the hot and cold valves to flush out any debris in the supply lines before diverting to the handshower. To divert to the handshower pull the knob.
 24. Carefully inspect all connections for leaks and check for proper operation.
- If further assistance is required, please contact Product Support at 1-800-927-2120 Monday through Friday, 8am-6pm EST.

These guidelines have been prepared for the professional contractor to aid in the installation of: HENRY EXPOSED FLOOR MOUNTED TUB FILLER WITH HANDSHOWER AND METAL CROSS HANDLES (STYLE NO. HNXT60) & METAL LEVER HANDLES (STYLE NO. HNXT70).
All dimensions are based on original specification and are subject to change and variation.
Please consult your Design Associate for current specifications.

W A T E R W O R K S