

FORMWORK

FMVC01

Formwork Volume Control Valve Trim with Metal Knob Handle



SHOWN IN FORMWORK VOLUME CONTROL VALVE TRIM WITH METAL KNOB HANDLE| FMVC01

TECHNICAL DETAILS

Adjustable Shelves: N
Control Valve Rough-in Depth Maximum: 121 mm
Control Valve Rough-in Depth Minimum: 79 mm
Diverter Valve Rough-in Depth Maximum: 121 mm
Diverter Valve Rough-in Depth Minimum: 79 mm
Escutcheon Primary Material: Brass
Fittings Hole Diameter: 35 mm
Handle Turn Angle: Quarter Turn
Depth / Width: 35 mm
Height: 60 mm
Integrated Diverter: N
Integrated Spray: N
Length: 60 mm
Number of Handles: One
Pivot: N
Primary Material: Brass
Spout Swivel: N
Spray Included in Unit: N
Suggested Application: Bath

INSPIRATION

Sculptural forms that defy the ordinary. Unexpected geometry and the transition of the planes create a subtle but warm expression.

CODES & STANDARDS

Code # FMVC01X: Certified with cUPC, NSF, IAPMO, CSA

PRODUCT FEATURES

Knob Handle

Used to control water to multiple shower outlet options, such as a shower head, tub spout, body sprays, overhead rain head, and handshower

Requires a 3/4" Volume Control Valve Rough. HOT: GUV16(USA) or GU16VC(UK).

COLD: GUV17(USA) or GU17VC(UK).

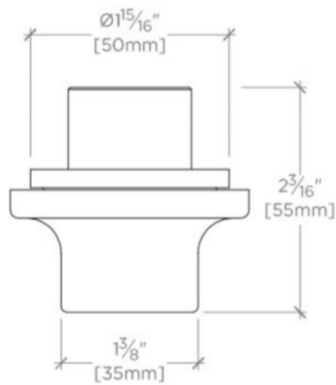
CERTIFICATIONS



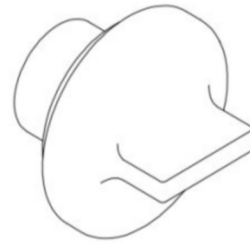
FORMWORK

FMVC01

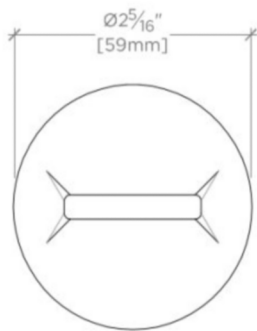
Formwork Volume Control Valve Trim with Metal Knob Handle



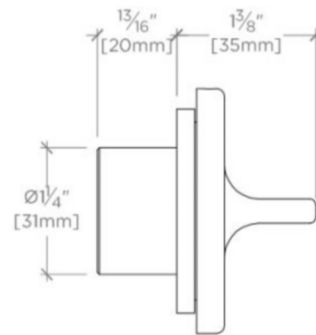
TOP VIEW SCALE: 6"=1'-0"



ISO VIEW SCALE: 6"=1'-0"



FRONT VIEW SCALE: 6"=1'-0"



SIDE VIEW SCALE: 6"=1'-0"