

OLYMPIA

OMXT03

Olympia Exposed Tub Filler Thermostatic with Handshower and Cross Handles



SHOWN IN NICKEL

TECHNICAL DETAILS

ADA Compliance: Yes
 Adjustable versus Fixed Spray: Fixed Spray
 Escutcheon Primary Material: Brass
 Fittings Hole Diameter: 1 1/4"
 Flow Restriction Options: 2.0, 1.75, 1.5, 0.92
 Handle Spread Maximum: 11 3/4"
 Handle Spread Minimum: 11 3/4"
 Depth / Width: 10"
 Height: 26 5/16"
 Inlet Connection Size: 3/4"
 Inlet Connection Type: NPT
 Inlet Supply Spread Maximum: 10 1/4"
 Inlet Supply Spread Minimum: 10 1/4"
 Installation Type: Wall Mounted
 Integrated Diverter: Y
 Interior / Exterior Application: Interior Only
 Length: 11 5/16"
 Number of Handles: Three
 Number of Holes: Two Hole
 Pivot: N
 Primary Material: Brass
 Restricted Maximum Flow Rate: 2.5 gpm
 Spout Swivel: N
 Suggested Application: Bath
 Water Pressure Maximum: 85.0 psi
 Water Pressure Minimum: 25.0 psi
 Water Pressure Recommended: 45.0 psi

INSPIRATION

Rooted in the industrial forms of the 1920's through 1940's, Olympia combines the straightforward functionality of the machine age, without the cold, hard edge. Olympia is proof that beauty and utility can coexist simply without ornamentation.

CODES & STANDARDS

Code # OMTU03: ASME A112.18.1 / CSA B125.1, State of MA

PRODUCT FEATURES

Built in Anti-scald protection.

The manufacturing process encompasses casting, turning, forging, hand-fitting and polishing. The graceful contours are substantial, yet perfectly proportioned and meticulously constructed. Unique details include the smooth, spherical knuckles on the cross handles and gentle curving spouts

Standard flow rate is 2.5gpm for handshower only. Also available in high efficient flow options. Contact your sales associate or call 1 (800) 899-6757 for details.

CERTIFICATIONS



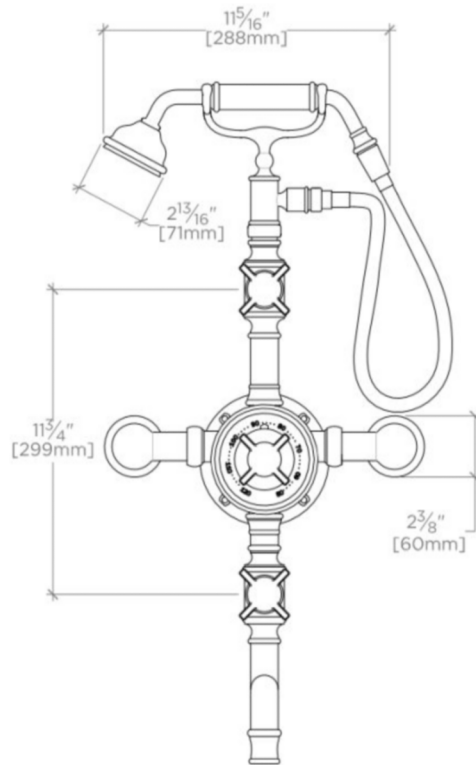
WATERWORKS

OLYMPIA

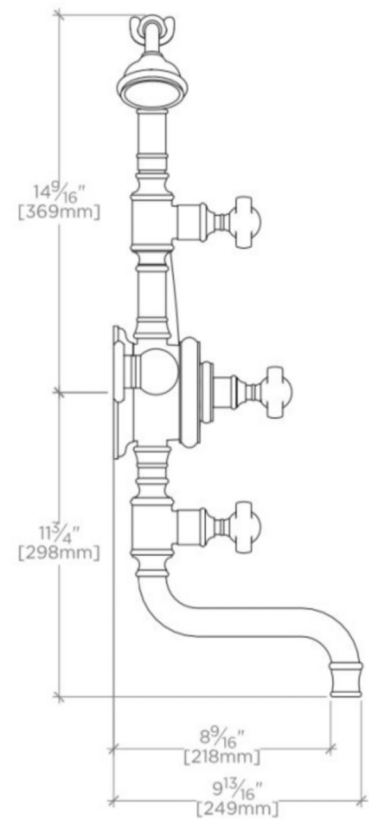
OMXT03

Olympia Exposed Tub Filler Thermostatic with Handshower and Cross Handles

TOP VIEW SCALE: 1/2"=1'-0"



FRONT VIEW SCALE: 1/2"=1'-0"



SIDE VIEW SCALE: 1/2"=1'-0"