

## ABBOTT

Abbott 4" Leather Pull

AOHW04



SHOWN IN ABBOTT 4" LEATHER PULL | AOHW04

### TECHNICAL DETAILS

Height: 9/16"  
Length: 4 5/16"

### INSPIRATION

Abbott takes the minimal mid-century wire pull to a new level. Solid brass, hand wrapped in thick Italian leather with bold stitching, is understated yet detailed.

### PRODUCT FEATURES

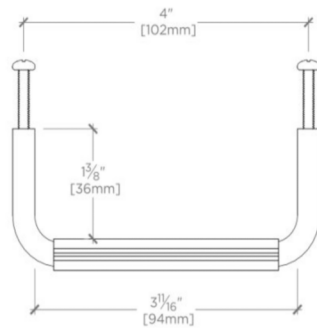
Fine Italian Leather

Hand-stitched in Europe

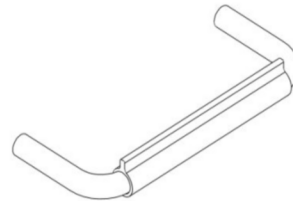
Includes per fixing: Machine Screw-POSI-Pan Head M4 X 25MM and Machine Screw-POSI-Pan Head M4 X 35MM



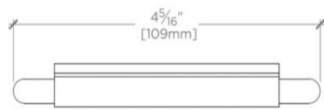
MOUNTING HARDWARE INCLUDED		
STYLE #	DESCRIPTION	QTY
998939	Service Parts Rear Fixing MACHINE SCREW-POSI-PAN HEAD M4 X 25mm	2
998940	Service Parts Rear Fixing MACHINE SCREW-POSI-PAN HEAD M4 X 35mm	2



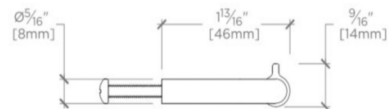
TOP VIEW SCALE: 6"=1'-0"



ISO VIEW SCALE: 6"=1'-0"



FRONT VIEW SCALE: 6"=1'-0"



SIDE VIEW SCALE: 6"=1'-0"