

REGULATOR

RGLS15

Regulator Gooseneck Three Hole Deck Mounted Lavatory Faucet with Black Drop Lever Handles



SHOWN IN REGULATOR GOOSENECK THREE HOLE DECK MOUNTED LAVATORY FAUCET WITH BLACK DROP LEVER

TECHNICAL DETAILS

Deck Thickness Maximum: 1 1/2"
Deck Thickness Minimum: 1 7/8"
Drain Hole Diameter: 1 3/4"
Drain Style: Push Touch
Escutcheon Primary Material: Brass
Fittings Hole Diameter: 1 3/8"
Flow Restriction Options: 1.0, 1.2, 1.5, 1.75, 2.6
Handle Spread Maximum: 12"
Handle Spread Minimum: 8"
Handle Turn Angle: Quarter Turn
Depth / Width: 8 1/2"
Drain Depth Minimum: 3/8"
Height: 9 13/16"
Inlet Connection Size: 1/2"
Inlet Connection Type: Male with Supply Nut
Length: 8 1/2"
Number of Holes: Three Hole
Primary Material: Brass
Spout Swivel: N
Suggested Application: Bath
Water Pressure Maximum: 85.0 psi
Water Pressure Minimum: 20.0 psi
Water Pressure Recommended: 45.0 psi

INSPIRATION

A play on industrial controls from the early 1900s, when pride was lavished on parts. Translated to handcrafted, fittings project rugged beauty through powerful, detailed shapes.

PRODUCT FEATURES

Matte Black Drop Lever Handles

Includes European push touch style drain.

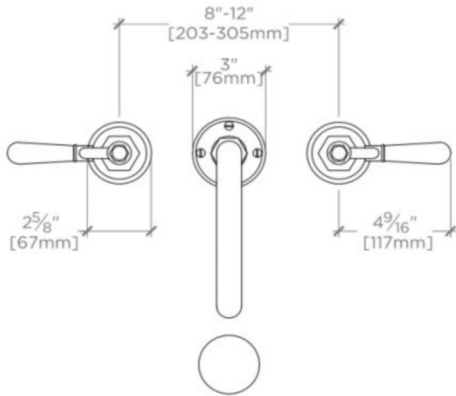
Stocked in Nickel, Chrome and Unlacquered Brass

Standard flow rate is 2.2gpm (8.3 L/min) and State of California requires 1.2gpm(4.5 L/min). Also available in other flow options. Contact a sales associate for details.

REGULATOR

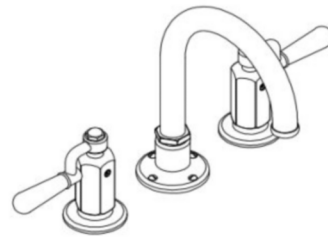
RGLS15

Regulator Gooseneck Three Hole Deck Mounted Lavatory Faucet with Black Drop Lever Handles



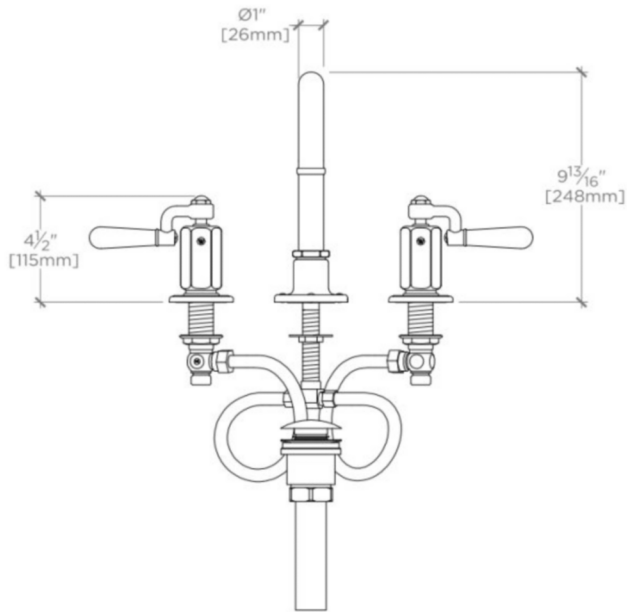
TOPVIEW

SCALE: 1/2"=1'-0"



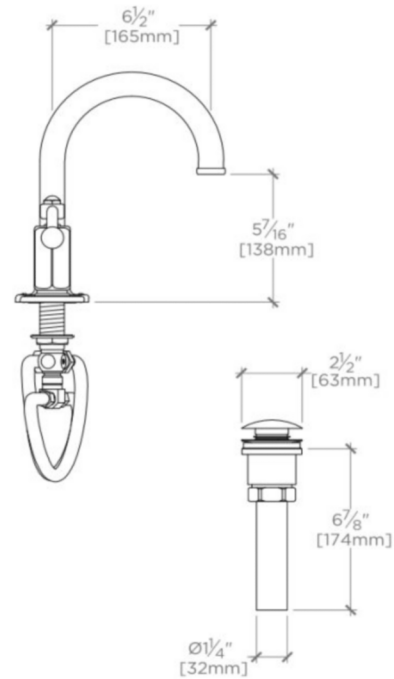
ISO VIEW

SCALE: 1/2"=1'-0"



FRONT VIEW

SCALE: 1/2"=1'-0"



SIDE VIEW

SCALE: 1/2"=1'-0"