

R.W. ATLAS

RW71XS

R.W. Atlas Exposed Thermostatic System with Handshower,
Diverter and Lever Handle



SHOWN IN R.W. ATLAS EXPOSED THERMOSTATIC SYSTEM WITH HANDSHOWER, DIVERTER AND LEVER HANDLE| RWXS71

INSPIRATION

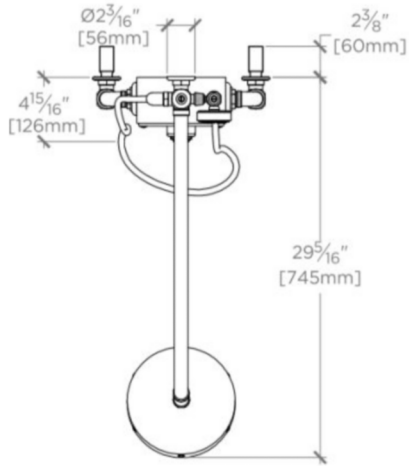
Powerful shapes, genuine materials and unique aesthetic details. The original, impeccable vision of R.W. Atlas pairs American ingenuity with European craftsmanship.

WATERWORKS

R.W. ATLAS

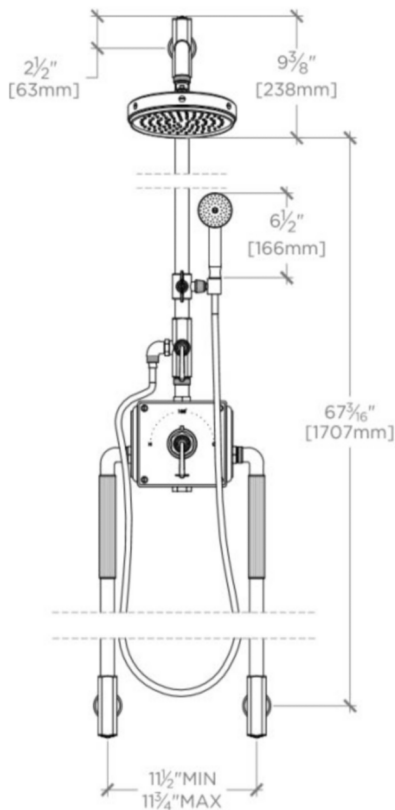
RW71XS

R.W. Atlas Exposed Thermostatic System with Handshower, Diverter and Lever Handle

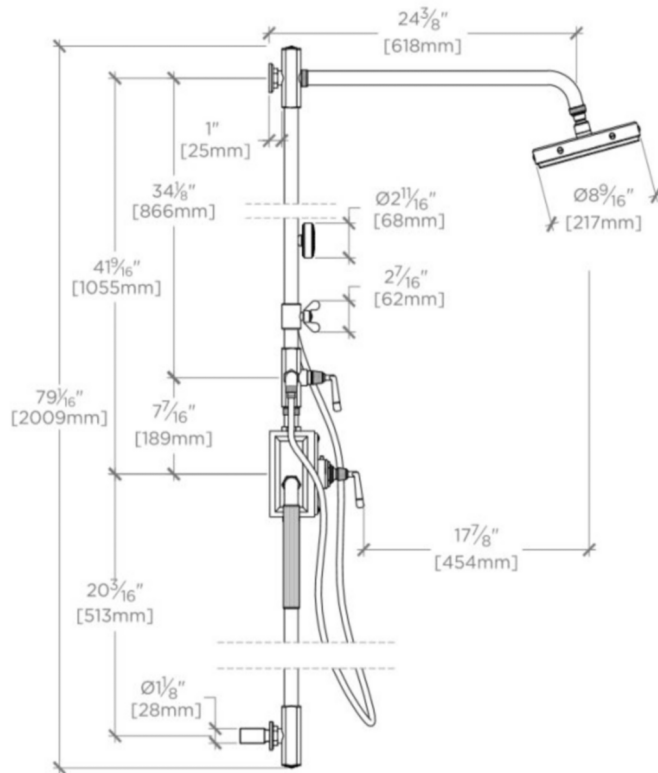


TOP VIEW SCALE: $\frac{3}{4}"=1'-0"$

ADAPTER(S) PACKAGED SEPARATELY		
ADAPTER	DESCRIPTION	QTY
UNUK10	Universal $\frac{3}{4}"$ Pipe x $\frac{3}{4}"$ Male BSP	2



FRONT VIEW SCALE: $\frac{3}{4}"=1'-0"$



SIDE VIEW SCALE: $\frac{3}{4}"=1'-0"$