

.25

PTSH73

.25 5 1/2" Shower Head, Arm and Flange



SHOWN IN .25 5 1/2" SHOWER HEAD, ARM AND FLANGE| PTSH73

TECHNICAL DETAILS

ADA Compliance: No
 Adjustable versus Fixed Spray: Fixed Spray
 Diameter of Head: 5 1/2"
 Escutcheon Primary Material: Brass
 Fittings Hole Diameter: 1 1/4"
 Flow Restriction Options: 2.5, 2.0, 1.75, 1.5
 Depth / Width: 12 1/2"
 Height: 6 1/4"
 Inlet Connection Size: 1/2"
 Inlet Connection Type: Male NPT
 Installation Type: Wall Mounted
 Integrated Diverter: N
 Length: 5 1/2"
 Pivot: Y
 Primary Material: Brass
 Suggested Application: Bath
 Water Pressure Maximum: 85.0 psi
 Water Pressure Minimum: 25.0 psi
 Water Pressure Recommended: 45.0 psi

INSPIRATION

.25 is the ultimate in utilitarian elegance: A simple and understated design that is equally functional and beautiful.

CODES & STANDARDS

Code # PTSH73X: Complies with ASME A112.18.1/CSA B125.1, CEC and 0.25% Weighted Average Lead Content. Certified with IAPMO, cUPC, CEC, DOE and State of MA.

PRODUCT FEATURES

Clean lines and modern elegance define the .25 family

Customize your shower experience with a shower head, arm, and flange

Stocked in 2.5gpm (9.5 L/min) and 1.75gpm (6.6 L/min). State of California requires 1.75gpm (6.6 L/min) to comply with their water conservation requirements. Other flow options are available to order, contact your sales associate or call 1 (800) 899-6757 for details.

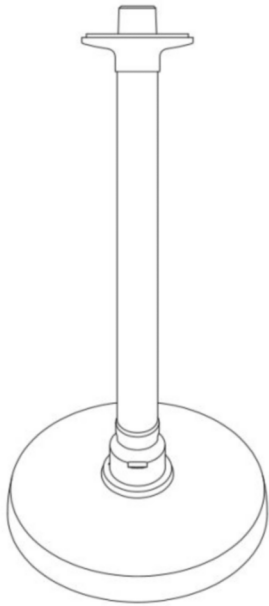
CERTIFICATIONS



.25

PTSH73

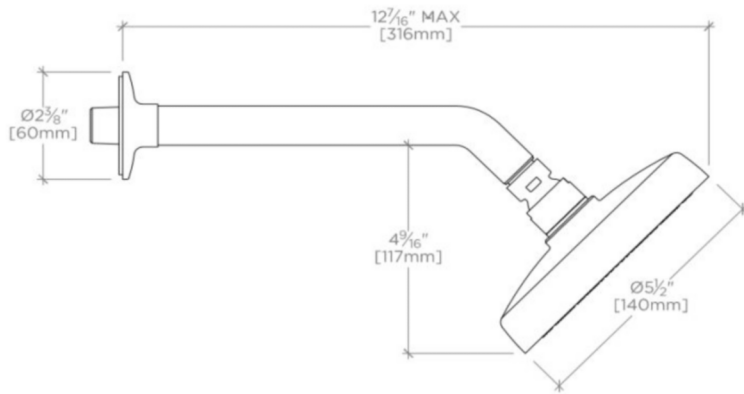
.25 5 1/2" Shower Head, Arm and Flange



TOP VIEW SCALE: 3"=1'-0"



FRONT VIEW SCALE: 3"=1'-0"



SIDE VIEW SCALE: 3"=1'-0"