

OLYMPIA

OMXS03

Olympia Exposed Thermostatic System with 8" Shower Rose and Handshower and Metal Cross Handles



SHOWN IN OLYMPIA EXPOSED THERMOSTATIC SYSTEM WITH 8" SHOWER ROSE AND HANDSHOWER AND METAL CROSS

TECHNICAL DETAILS

ADA Compliance: Yes
 Adjustable versus Fixed Spray: Fixed Spray
 Assembly / Configuration: One Piece
 Diameter of Head: 8"
 Escutcheon Primary Material: Brass
 Fittings Hole Diameter: 1 1/4"
 Handshower / Spray Hose Length: 59"
 Depth / Width: 21 7/16"
 Height: 56"
 Inlet Connection Size: 3/4"
 Inlet Connection Type: NPT
 Inlet Supply Spread Maximum: 10 1/4"
 Inlet Supply Spread Minimum: 10 1/4"
 Installation Type: Wall Mounted
 Integrated Diverter: Y
 Interior / Exterior Application: Interior Only
 Length: 21 1/2"
 Number of Handles: Three
 Pivot: Y
 Primary Material: Brass
 Restricted Maximum Flow Rate: 2.5 gpm
 Suggested Application: Bath
 Water Pressure Maximum: 85.0 psi
 Water Pressure Minimum: 25.0 psi
 Water Pressure Recommended: 45.0 psi

INSPIRATION

Rooted in the industrial forms of the 1920's through 1940's, Olympia combines the straightforward functionality of the machine age, without the cold, hard edge. Olympia is proof that beauty and utility can coexist simply without ornamentation.

CODES & STANDARDS

Code # OMSV03: ASME A112.18.1 / CSA B125.1, State of MA

PRODUCT FEATURES

Built in Anti-scald protection.

The manufacturing process encompasses casting, turning, forging, hand-fitting and polishing.

Unique details include the smooth, spherical knuckles on the cross handles and gentle curving spouts

An extensive product range of fittings and accessory options for the lavatory, shower and bathtub.



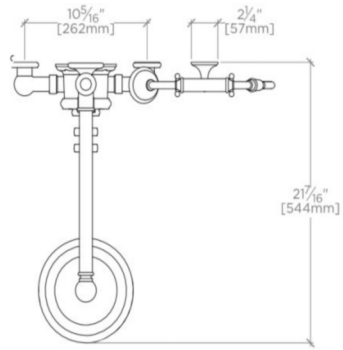
PRODUCT (NOTES)

Valve Included

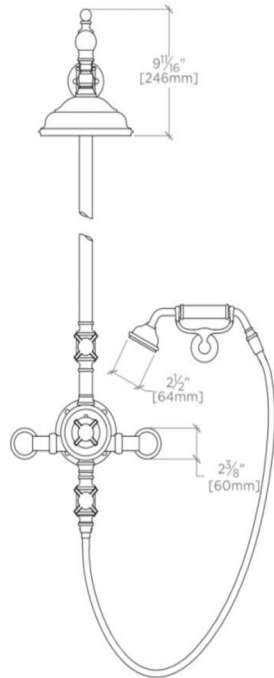
OLYMPIA

OMXS03

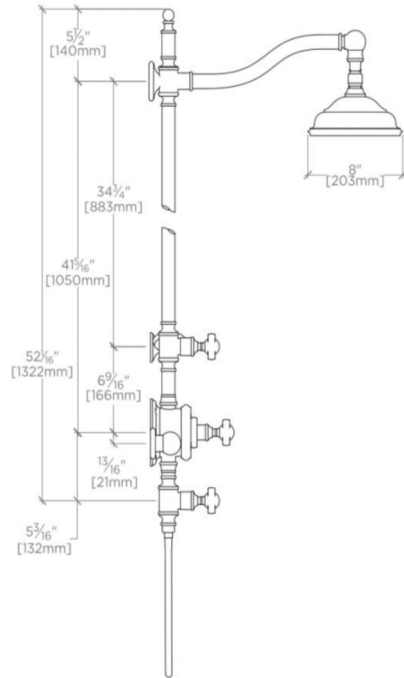
Olympia Exposed Thermostatic System with 8" Shower Rose and Handshower and Metal Cross Handles



TOP VIEW SCALE: 1"=1'-0"



FRONT VIEW SCALE: 1"=1'-0"



SIDE VIEW SCALE: 1"=1'-0"