

## CLASSIC

## CL2RWP

Classic 66" x 34" x 21" Right Hand Whirlpool Rectangular Bathtub with End Drain



SHOWN IN CLASSIC 66" X 34" X 21" LEFT HAND WHIRLPOOL RECTANGULAR BATHTUB WITH END DRAIN| CLWP2L

### TECHNICAL DETAILS

ADA Compliance: No  
Assembly / Configuration: One Piece  
Bathing Type: Bathing, Soaking and Showering  
Drilling Option: None  
Electric Requirements: 16" high x 30" wide Access Panel  
Depth / Width: 864 mm  
Height: 533 mm  
Installation Type: Drop In or Undermount  
Item Weight (Filled): 328.8542 kg  
Length: 1676 mm  
Material / Wall Thickness: 11 mm  
Number of Holes: Two Hole  
Overflow Opening: Yes  
Primary Material: Acrylic  
Required Electrical Feeds: 120V/15amp Dedicated Line  
Single or Double Ended: Single Ended  
Suggested Application: Bath

### INSPIRATION

Our Classic collection encompasses core elements for every bath. This collection is perfect for all design aesthetics.

### CODES & STANDARDS

Code # CLAT20: UL, cUL

### PRODUCT FEATURES

Constructed of high density acrylic which is the highest industry standard  
The high density acrylic acts as a reinforcement and provided an overall thicker bathtub construction  
Microban is built into the acrylic during manufacturing to provide a continuous antimicrobial product protection.

### CERTIFICATIONS



### PRODUCT (NOTES)

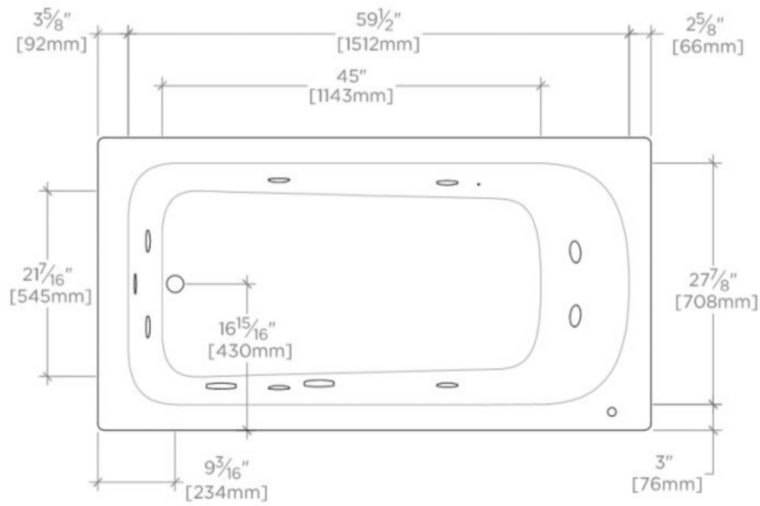
Dimensions of fixtures are nominal. Measure your actual product for rough-in details.

# WATERWORKS

## CLASSIC

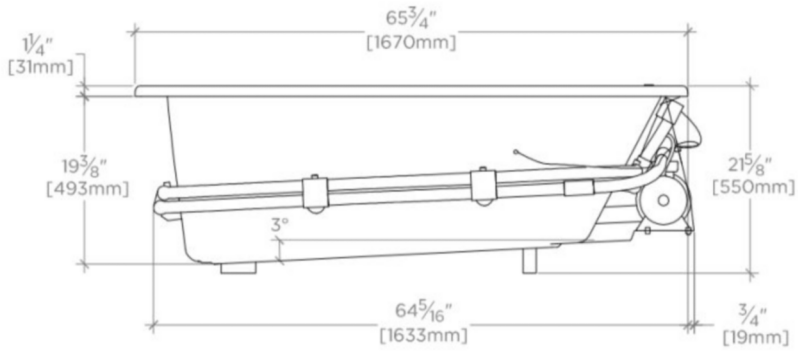
## CL2RWP

Classic 66" x 34" x 21" Right Hand Whirlpool Rectangular Bathtub with End Drain



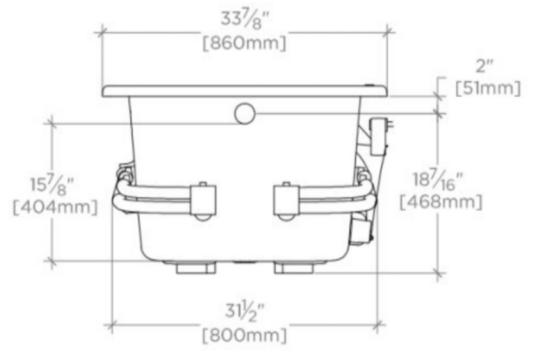
TOP VIEW

SCALE: 1/2"=1'-0"



SIDE VIEW

SCALE: 1/2"=1'-0"



END VIEW

SCALE: 1/2"=1'-0"