

FORMWORK

FMLS01

Formwork Low Profile Three Hole Deck Mounted Lavatory Faucet with Metal Knob Handles



SHOWN IN FORMWORK LOW PROFILE THREE HOLE DECK MOUNTED LAVATORY FAUCET WITH METAL KNOB HANDLES

TECHNICAL DETAILS

ADA Compliance: Yes
 Adjustable Shelves: N
 Deck Thickness Maximum: 51 mm
 Deck Thickness Minimum: 10 mm
 Drain Depth Maximum: 44 mm
 Drain Hole Diameter: 44 mm
 Drain Style: Push Touch
 Escutcheon Primary Material: Brass
 Fittings Hole Diameter: 35 mm
 Flow Restriction Options: 1.0 , 1.2 , 1.5 , 1.75, 2.2
 Handle Spread Maximum: 305 mm
 Handle Spread Minimum: 203 mm
 Handle Turn Angle: Quarter Turn
 Depth / Width: 200 mm
 Drain Depth Minimum: 35 mm
 Height: 65 mm
 Inlet Connection Size: 1/2"
 Inlet Connection Type: Male with Supply Nut
 Inlet Supply Spread Maximum: 305 mm
 Inlet Supply Spread Minimum: 203 mm
 Installation Type: Deck Mounted
 Length: 289 mm
 Number of Handles: Two
 Number of Holes: Three Hole
 Primary Material: Brass
 Spout Swivel: N
 Suggested Application: Bath
 Valve Material: Ceramic
 Water Pressure Maximum: 6.0 bar
 Water Pressure Minimum: 1.5 bar
 Water Pressure Recommended: 3.0 bar

INSPIRATION

Sculptural forms that defy the ordinary. Unexpected geometry and the transition of the planes create a subtle but warm expression.

CODES & STANDARDS

Code # FMLS01X: Certified with cUPC, NSF, CEC, IAPMO, CSA

PRODUCT FEATURES

Knob Handles
 Modern Push-Touch Euro style drain included.
 Available in 1.2gpm (4.5L/min) flow rate

CERTIFICATIONS

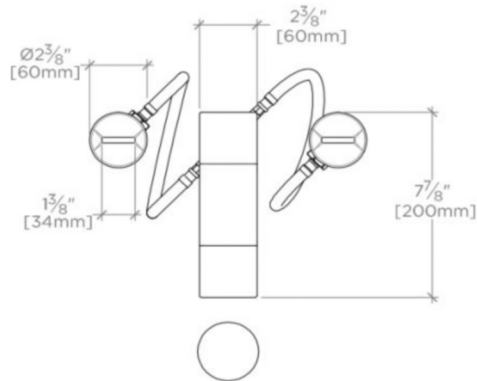


WATERWORKS

FORMWORK

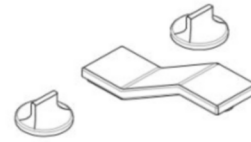
FMLS01

Formwork Low Profile Three Hole Deck Mounted Lavatory Faucet with Metal Knob Handles



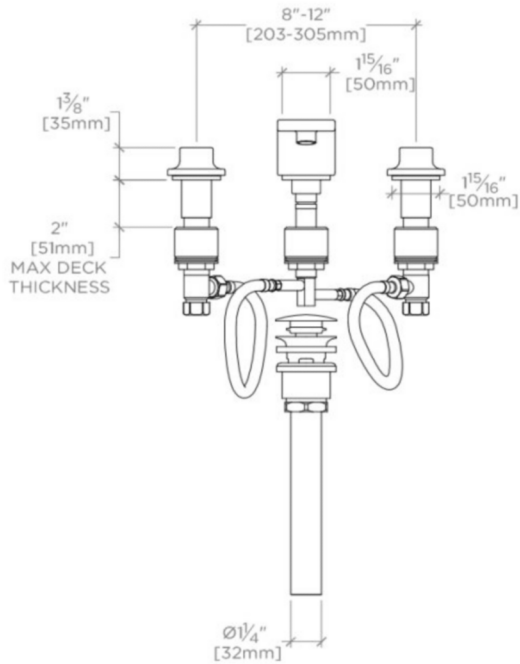
TOP VIEW

SCALE: 1/2"=1'-0"



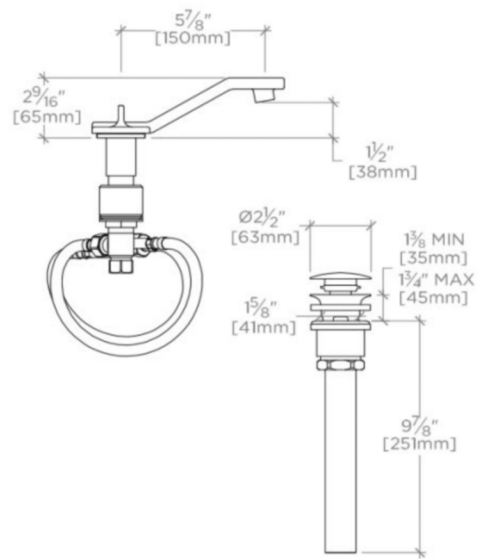
ISO VIEW

SCALE: 1/2"=1'-0"



FRONT VIEW

SCALE: 1/2"=1'-0"



SIDE VIEW

SCALE: 1/2"=1'-0"