

OTIS

OTWC01

Otis Two Piece High Efficiency Elongated Watercloset with Molded Wood Seat



SHOWN IN OTIS TWO PIECE HIGH EFFICIENCY ELONGATED WATERCLOSET WITH MOLDED WOOD SEAT | OTWC01

TECHNICAL DETAILS

ADA Compliance: Yes
Water Pressure Maximum: 85.0 psi
Water Pressure Minimum: 20.0 psi
Water Pressure Recommended: 45.0 psi

INSPIRATION

The Otis family features time-honored, classic style and modern technology in a high performance, highly efficient watercloset.

PRODUCT FEATURES

High Efficiency 1.28 Gallon Per Flush
EPA Watersense Certified
Glazed Trapway and 3" flush valve for a more efficient flush
Hinges for the seat are only available in Chrome. Finish options are for the flush lever only



PRODUCT (NOTES)

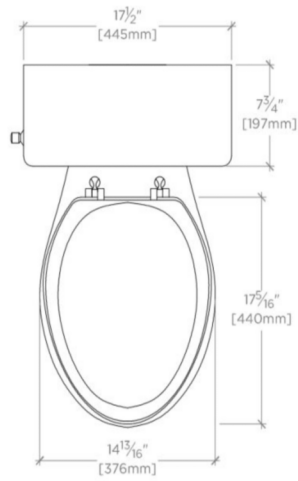
Dimensions of fixtures are nominal. Measure your actual product for rough-in details.

WATERWORKS

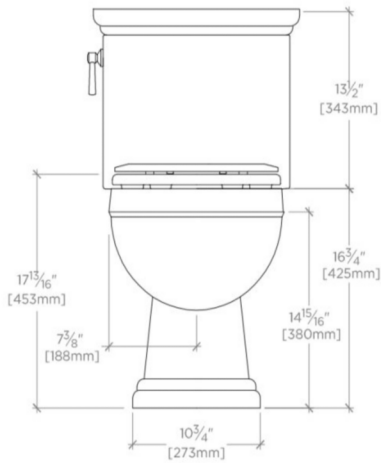
OTIS

OTWC01

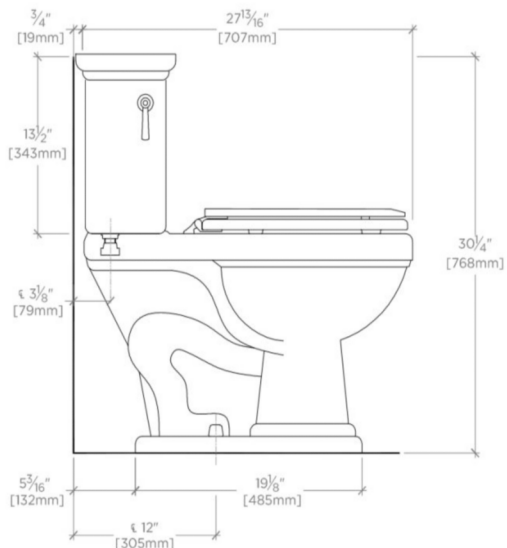
Otis Two Piece High Efficiency Elongated Watercloset with Molded Wood Seat



TOP VIEW SCALE: 1"=1'-0"



FRONT VIEW SCALE: 1"=1'-0"



SIDE VIEW SCALE: 1"=1'-0"

WASTE ROUGH IN: 12" FROM FINISHED WALL