

## OLYMPIA

OMLS01

Olympia Low Profile Three Hole Deck Mounted Lavatory Faucet with Metal Cross Handles



SHOWN IN OLYMPIA LOW PROFILE THREE HOLE DECK MOUNTED LAVATORY FAUCET WITH METAL CROSS HANDLES

### TECHNICAL DETAILS

ADA Compliance: Yes  
 Adjustable versus Fixed Spray: Fixed Spray  
 Deck Thickness Maximum: 1 3/8"  
 Drain Assembly Materials: Brass  
 Drain Depth Maximum: 2"  
 Escutcheon Primary Material: Brass  
 Flow Restriction Options: 1.0, 1.2, 1.5, 1.75, 2.2  
 Handle Spread Maximum: 12"  
 Handle Spread Minimum: 8"  
 Handle Turn Angle: Quarter Turn  
 Depth / Width: 7 9/16"  
 Drain Depth Minimum: 1 1/2"  
 Height: 5 3/4"  
 Inlet Connection Size: 1/2"  
 Inlet Connection Type: Male with Supply Nut  
 Inlet Supply Spread Maximum: 12"  
 Inlet Supply Spread Minimum: 8"  
 Installation Type: Deck Mounted  
 Interior / Exterior Application: Interior Only  
 Length: 11 1/4"  
 Number of Handles: Two  
 Number of Holes: Three Hole  
 Primary Material: Brass  
 Spout Swivel: N  
 Suggested Application: Bath  
 Valve Material: Ceramic  
 Water Pressure Maximum: 85.0 psi  
 Water Pressure Minimum: 20.0 psi  
 Water Pressure Recommended: 45.0 psi

### INSPIRATION

Rooted in the industrial forms of the 1920's through 1940's, Olympia combines the straightforward functionality of the machine age, without the cold, hard edge. Olympia is proof that beauty and utility can coexist simply without ornamentation.

### CODES & STANDARDS

Code # OMLS01: ASME A112.18.1 / CSA B125.1, ASME A112.18.2 / CSA B125.2, NSF, CEC, State of MA

### PRODUCT FEATURES

Brass material is used for all trim and valve component parts.

The manufacturing process encompasses casting, turning, forging, hand-fitting and polishing.

Unique details include the smooth, spherical knuckles on the cross handles and gentle curving spouts

Standard flow rate is 2.2gpm (8.3 L/min) and State of California requires 1.2gpm(4.5 L/min). Also available in other flow options. Contact a sales associate for details.



### PRODUCT (NOTES)

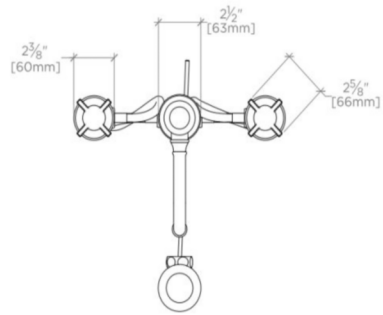
Sold with European style drain; USA style drain sold separately for use with non-Waterworks sinks.

# WATERWORKS

## OLYMPIA

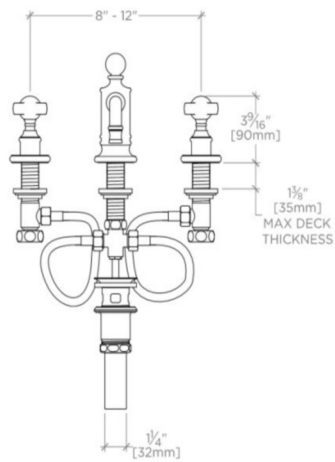
OMLS01

Olympia Low Profile Three Hole Deck Mounted Lavatory Faucet with Metal Cross Handles



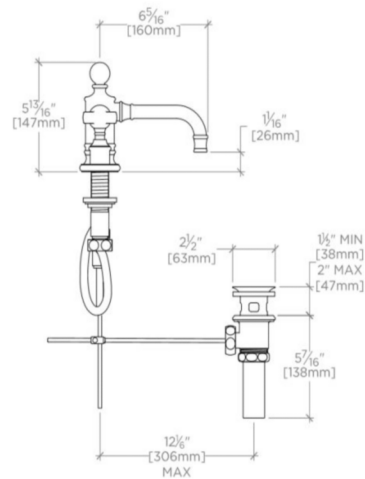
TOP VIEW

SCALE: 1/2"=1'-0"



FRONT VIEW

SCALE: 1/2"=1'-0"



SIDE VIEW

SCALE: 1/2"=1'-0"