

EASTON

EALS13

Easton Vintage Low Profile Three Hole Deck Mounted Lavatory Faucet with White Porcelain Lever Handles



SHOWN IN EASTON VINTAGE LOW PROFILE THREE HOLE DECK MOUNTED LAVATORY FAUCET WITH WHITE PORCELAIN

TECHNICAL DETAILS

ADA Compliance: Yes
 Adjustable versus Fixed Spray: Fixed Spray
 Deck Thickness Maximum: 32 mm
 Deck Thickness Minimum: 0 mm
 Fittings Hole Diameter: 35 mm
 Handle Spread Maximum: 305 mm
 Handle Spread Minimum: 203 mm
 Handle Turn Angle: Quarter Turn
 Index Color / Finish and Material: White Porcelain
 Depth / Width: 229 mm
 Height: 89 mm
 Inlet Connection Size: 1/2"
 Inlet Connection Type: Male with supply nut
 Inlet Supply Spread Maximum: 305 mm
 Inlet Supply Spread Minimum: 203 mm
 Installation Type: Deck Mounted
 Length: 406 mm
 Number of Holes: Three Hole
 Primary Material: Brass
 Restricted Maximum Flow Rate: 4.5 liters/min
 Suggested Application: Bath
 Valve Material: Ceramic
 Water Pressure Maximum: 6.0 bar
 Water Pressure Minimum: 1.5 bar
 Water Pressure Recommended: 3.0 bar

INSPIRATION

Drawing on Edwardian style, Easton is the most extensive Waterworks family; a range of moods and a selection of products from fittings to furniture.

CODES & STANDARDS

Code # EALS13: CEC

PRODUCT FEATURES

Available in 1.2gpm (4.5L/min) flow rate

CERTIFICATIONS



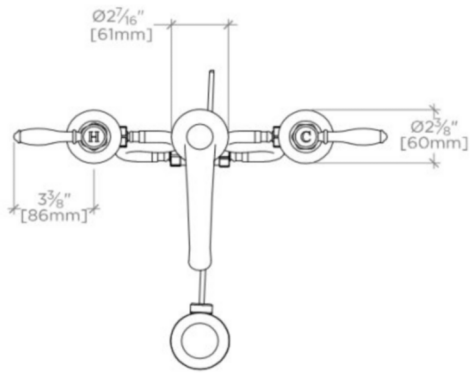
PRODUCT (NOTES)

Sold with European style drain; USA style drain sold separately for use with non-Waterworks sinks.

EASTON

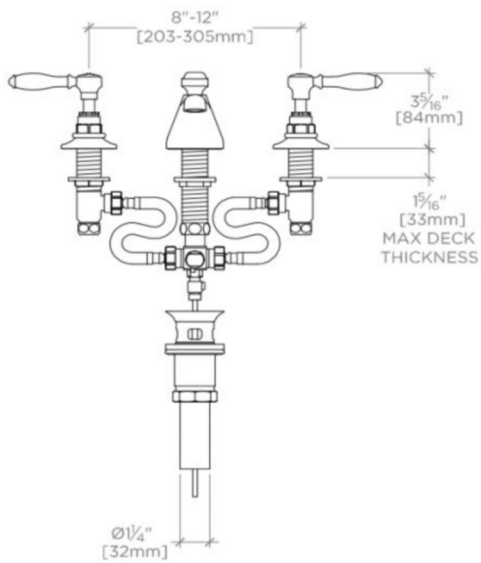
EALS13

Easton Vintage Low Profile Three Hole Deck Mounted Lavatory
Faucet with White Porcelain Lever Handles



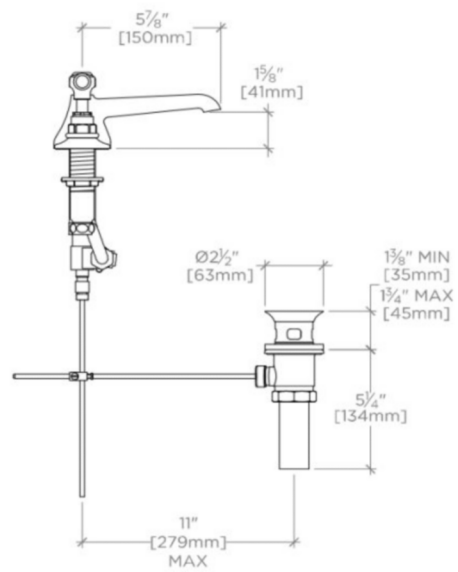
TOP VIEW

SCALE: 1 1/2"=1'-0"



FRONT VIEW

SCALE: 1 1/2"=1'-0"



SIDE VIEW

SCALE: 1 1/2"=1'-0"