

## NORMANDY

## NOLV24

Normandy Drop In or Undermount Oval Hammered Copper Lavatory Sink  
Lavatory Sink 13 3/16" x 10 7/16" x 5 11/16"



SHOWN IN NORMANDY DROP IN OR UNDERMOUNT OVAL HAMMERED COPPER LAVATORY SINK 13 3/16" X 10 7/16" X 5 11/16"

### TECHNICAL DETAILS

ADA Compliance: When installed per ADA guidelines  
Bowl Shape: Oval  
Depth to Overflow: 64 mm  
Drain Hole Depth: 36 mm  
Drain Hole Diameter: 45 mm  
Depth / Width: 265 mm  
Height: 144 mm  
Installation Type: Drop In or Undermount  
Length: 335 mm  
Number of Holes: Two Hole  
Outer Rim Shape: Oval  
Overflow Opening: Yes  
Primary Material: Hammered Copper  
Suggested Application: Bath

### INSPIRATION

Like the antique French copper cookware that inspired them, our Normandy sinks lend a special warmth and richness to any environment. Each pure red copper design is hammered and polished by hand according to the old French tradition.

### CODES & STANDARDS

Code # NOLV24:

### PRODUCT FEATURES

Handcrafted in France from sheets of copper and formed in individual molds.  
The Normandy sinks are finished with a burnishing hammer and polished by hand.  
Suitable for master baths and powder rooms.

### PRODUCT (NOTES)

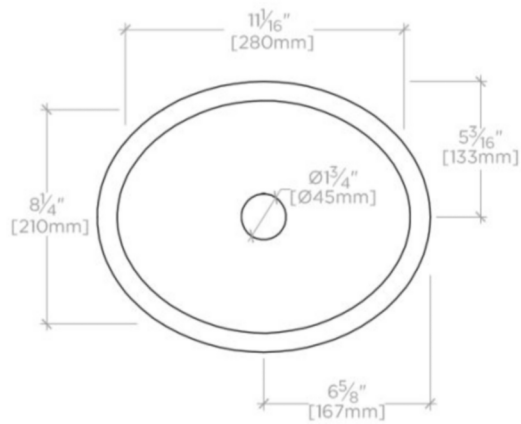
Dimensions of sinks are nominal and are subject to slight variations.

# WATERWORKS

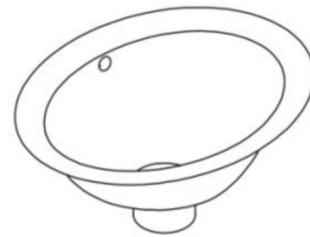
## NORMANDY

NOLV24

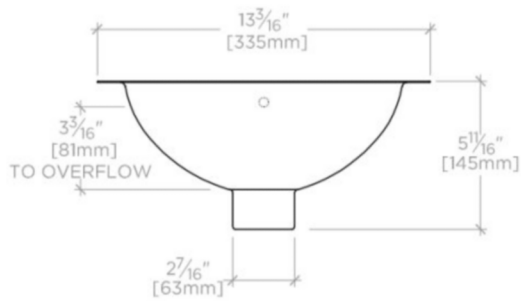
Normandy Drop In or Undermount Oval Hammered Copper  
Lavatory Sink 13 3/16" x 10 7/16" x 5 11/16"



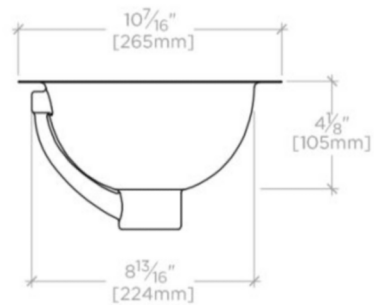
TOP VIEW SCALE: 1/2"=1'-0"



ISO VIEW SCALE: 1/2"=1'-0"



FRONT VIEW SCALE: 1/2"=1'-0"



SIDE VIEW SCALE: 1/2"=1'-0"