

## NORMANDY

## NOLV29

Normandy Drop In or Undermount Oval Hammered Copper  
Lavatory Sink 17 5/16" x 13 3/4" x 6 7/16"



SHOWN IN NICKEL

### TECHNICAL DETAILS

ADA Compliance: When installed per ADA guidelines  
Bowl Shape: Oval  
Depth to Overflow: 3 1/2"  
Drain Hole Depth: 1.32"  
Drain Hole Diameter: 1.77"  
Depth / Width: 13 3/4"  
Height: 6 7/16"  
Installation Type: Drop In or Undermount  
Length: 17 5/16"  
Number of Holes: Two Hole  
Outer Rim Shape: Oval  
Overflow Opening: Yes  
Primary Material: Hammered Copper  
Suggested Application: Bath

### INSPIRATION

Like the antique French copper cookware that inspired them, our Normandy sinks lend a special warmth and richness to any environment. Each pure red copper design is hammered and polished by hand according to the old French tradition.

### CODES & STANDARDS

Code # NOLV29:

### PRODUCT FEATURES

Handcrafted in France from sheets of copper and formed in individual molds.  
The Normandy sinks are finished with a burnishing hammer and polished by hand.  
Suitable for master baths and powder rooms.

### PRODUCT (NOTES)

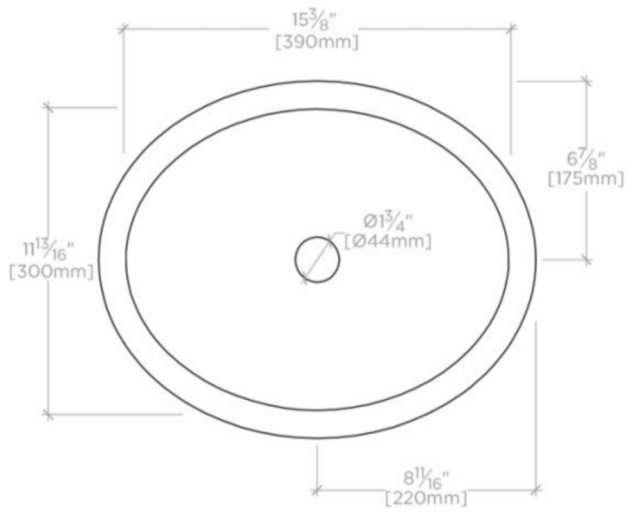
Dimensions of sinks are nominal and are subject to slight variations.

# WATERWORKS

## NORMANDY

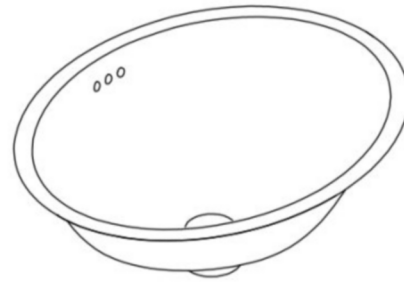
NOLV29

Normandy Drop In or Undermount Oval Hammered Copper Lavatory Sink 17 5/16" x 13 3/4" x 6 7/16"



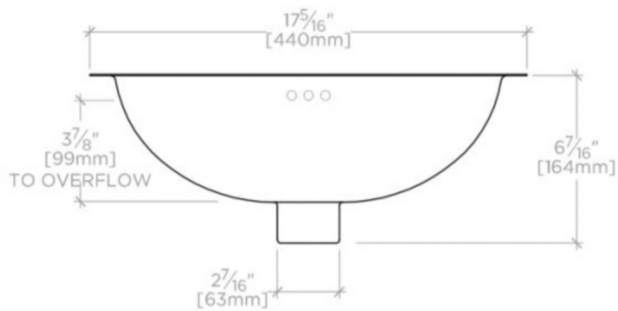
TOP VIEW

SCALE: 1/2"=1'-0"



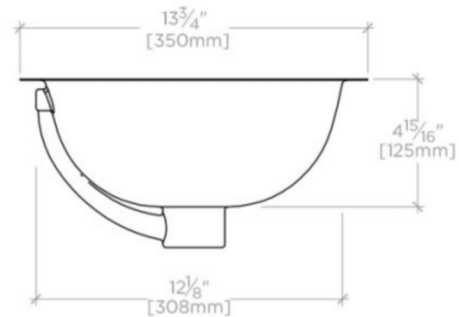
ISO VIEW

SCALE: 1/2"=1'-0"



FRONT VIEW

SCALE: 1/2"=1'-0"



SIDE VIEW

SCALE: 1/2"=1'-0"