

KEY LIGHTS

KELT02

Key Lights Wall Mounted Double Arm Sconce



SHOWN IN IRON WITH CYLINDER GLASS SHADE

TECHNICAL DETAILS

Bulb Type: LED Candelabra
Depth / Width: 4 3/4"
Height: 9"
Interior / Exterior Application: Interior Only
Junction Box Orientation: Horizontal
Length: 12 1/2"
Safety Warnings: Do not exceed max wattage (60).
Shade Material: Glass
Shade Shape: Cylinder
Suggested Application: All Applications
Voltage: 120V
Wet / Dry: Damp or Dry

INSPIRATION

Early 20th century French hand wrought iron andirons were the inspiration for the design and scale of the Key sconces. The hand blown glass shades were designed to resemble pillar candles. The Key Lights are hand crafted by California artisans.

CODES & STANDARDS

UL

PRODUCT FEATURES

12 1/2 x 4 3/4 x 9

Uses two E12 LED Candelabra bulbs

UL-listed for use in damp environments

This item is stocked in an Iron finish and is available to ship in 2-3 business days (subject to availability) from Waterworks

CERTIFICATIONS



PRODUCT (NOTES)

Do not exceed max wattage.

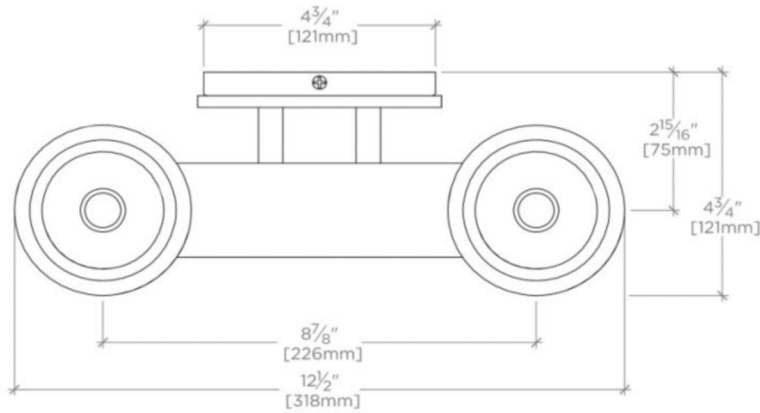
WATERWORKS

KEY LIGHTS

KELT02

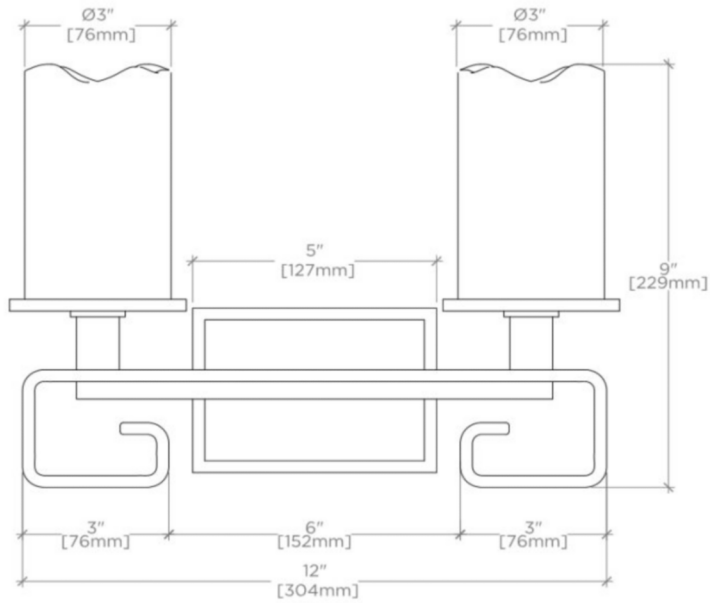
Key Lights Wall Mounted Double Arm Sconce

*JUNCTION BOX ORIENTATION: HORIZONTAL



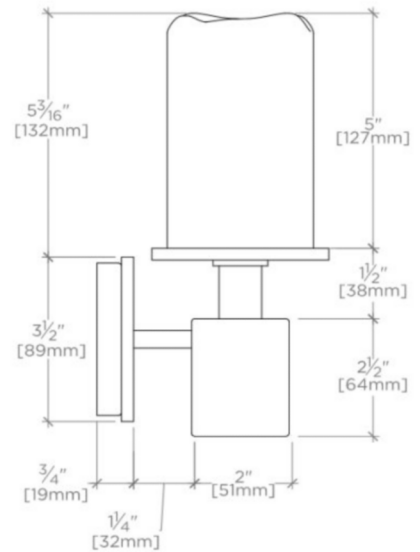
TOP VIEW

SCALE: 3"=1'-0"



FRONT VIEW

SCALE: 3"=1'-0"



SIDE VIEW

SCALE: 3"=1'-0"