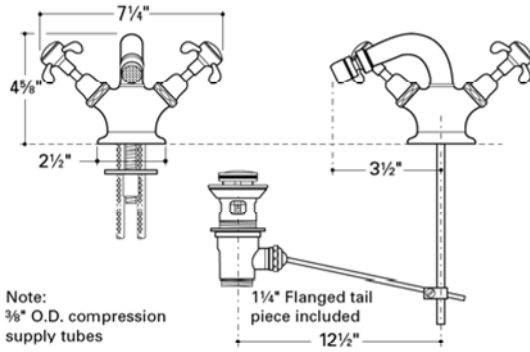
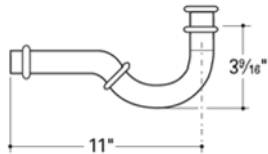


ETBF 30



Note:
3/8" O.D. compression
supply tubes

JUBF 94



Note:
Accepts 1 1/4" tail piece

INSTALLATION GUIDELINES

- Use only a protected, smooth-jawed, or strap wrench on any finished surface.
- A low-level bidet trap (JUBF 94) for wall rough-in is available. (See specifications at left.)
- Rough-in dimensions supplied with bidet.
- DO NOT use putty on deck fitting. Upper and lower washers are provided.
- Upper waste assembly can be set with putty.
- Adjust vertical pop-up rod to rest 1/32" above spout when waste is in the open position. If rod hits trap, cut excess.
- After installation, unscrew and remove the aerator assembly. Carefully open the hot and cold valves fully to flush out any debris in the supply lines. Once the lines have been flushed, close the valves and reinstall the aerator assembly.
- For servicing valve stem: Unscrew the cover and pull off the handle and cover together. Cover should be hand tight.
- If further assistance is required, please contact Product Support at 1-800-927-2120 (8am-7pm EST).

Note: A device that conforms to ASSE 1070 or CSA B125.3 to limit the maximum hot water temperature to 110°F must also be used with this product. This is per UPC 2009 Section 416.3

These guidelines have been prepared for the professional contractor to aid in the installation of:
ETOILE BIDET FITTING (ETBF 30)
Low level bidet trap (JUBF 94) ordered separately

All dimensions are based on original specifications and are subject to change and variation.
Please consult your Design Associate for current specifications.