

INSTALLATION GUIDELINES



STYLE No. DSKM30

Dash Three Hole Gooseneck Kitchen Faucet with Metal Lever Handles and Spray

IMPORTANT:

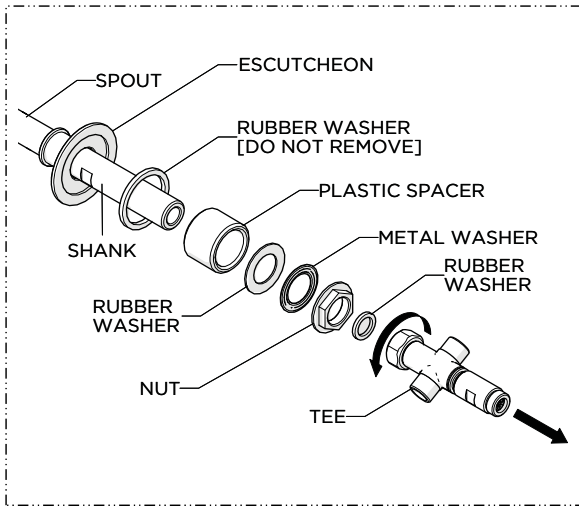
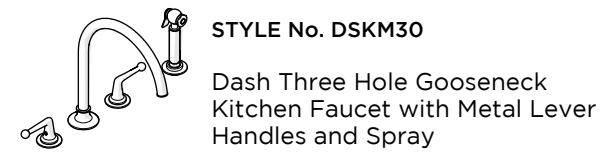
- To ensure this product is installed properly, you must read and follow these guidelines.
- The owner/user of this product must keep this information for future reference.
- This product must be installed by a professional licensed contractor.
- Be sure your installation conforms to federal state, and local codes. In the State of Massachusetts, all installations must comply with the rules and regulations set forth within 248 CMR.
- Inspect this product to ensure you have all the parts required for proper installation. Product is sold partially assembled but shown fully disassembled for illustrative and service purposes only.
- Use only a strap wrench or protected/smooth-jaw wrench on any finished surface.
- The use of certain plumber's putty may stain stone or tile surfaces.
- If further assistance is required, please contact Product Support at 1-800-927-2120 Monday through Friday, 8am - 6pm EST.
- Refer to the separate Service Parts Documents for available replacement parts.

TECHNICAL DETAILS:

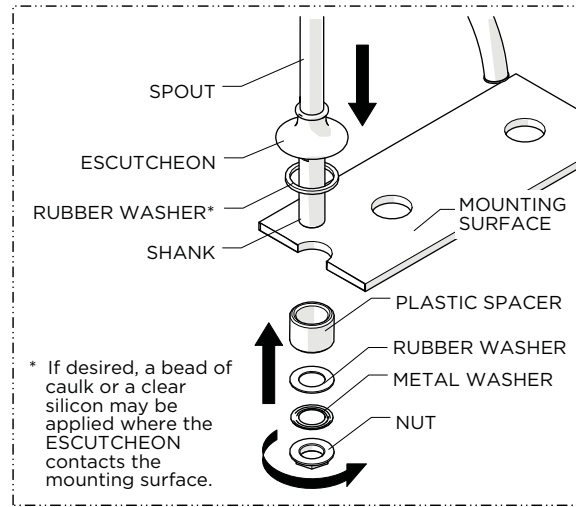
DETAIL	SPECIFICATION
DECK THICKNESS	3/8" [10mm] MIN - 2" [51mm] MAX
FITTINGS HOLE DIAMETER (SPOUT AND HANDLES - ONLY)	Ø1-3/8" [35mm]
FITTINGS HOLE DIAMETER (SPRAY - ONLY)	Ø1-5/8" [41mm]
HANDLE SPREAD	8" [203mm] MIN - 12" [305mm] MAX
HANDLE TURN ANGLE	QUARTER TURN
INLET CONNECTION TYPE	1/2" MALE WITH SUPPLY NUT
RESTRICTED MAXIMUM FLOW RATE	2.2gpm [8.3L/min]
SPOUT REACH	10-3/8" [264mm]
SPOUT SWIVEL	YES
SPRAY HOSE LENGTH	59" [1.5m]
SPRAY INCLUDED IN UNIT	YES
WATER PRESSURE RANGE	20psi [1.5 bar] MIN - 85psi [6.0 bar] MAX
WATER PRESSURE RECOMMENDED	45psi [3.0 bar]

WATERWORKS

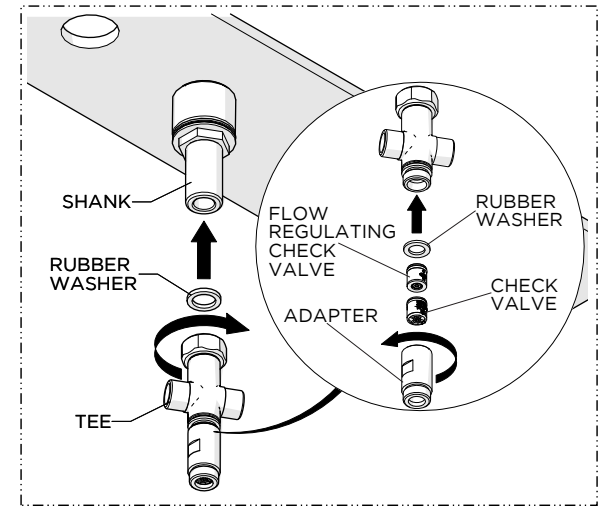
INSTALLATION GUIDELINES



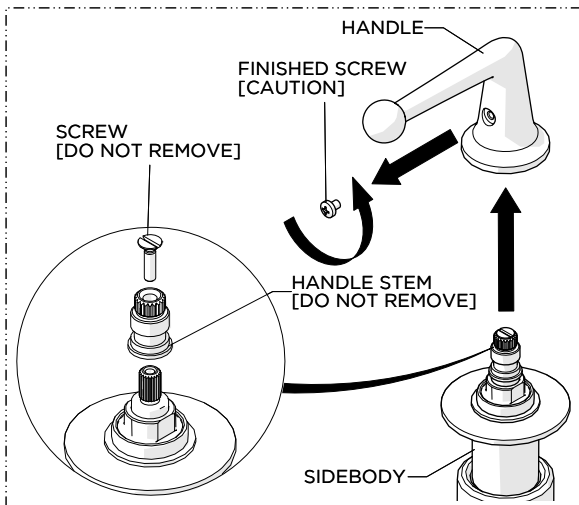
1. Unthread and remove the TEE, NUT, lower deck WASHERS and PLASTIC SPACER from SHANK.
NOTE: Do **NOT** remove the RUBBER WASHER beneath the ESCUTCHEON.



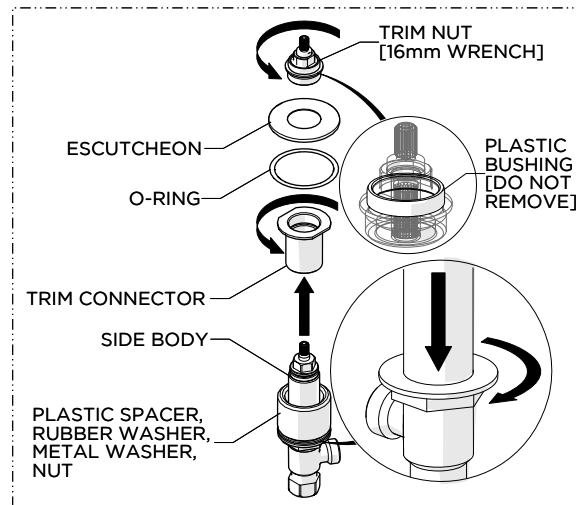
2. Insert the SPOUT through the hole on the mounting surface making sure the RUBBER WASHER provided is beneath the ESCUTCHEON then re-install the PLASTIC SPACER, WASHERS and securely tighten the NUT.



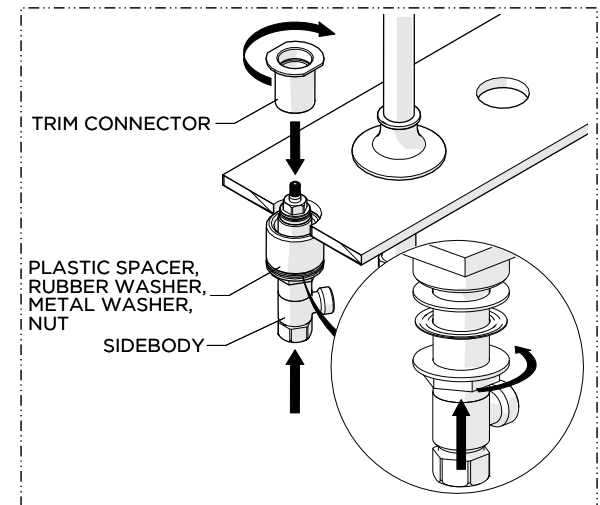
3. Using the RUBBER WASHER provided, thread and securely tighten the TEE back onto the SHANK.
NOTE: 2 CHECK VALVES, 1 flow regulating, are located inside the ADAPTER at the base of the TEE.



4. Carefully unthread the FINISHED SCREW then pull the HANDLE up.
NOTE: Do **NOT** remove the HANDLE STEM.



5. Unthread and remove the TRIM NUT, remove the ESCUTCHEON with the O-RING, unthread and remove the TRIM CONNECTOR then fully thread the NUT down the SIDEBODY.
CAUTION: Do **NOT** remove the PLASTIC BUSHING on the TRIM NUT.



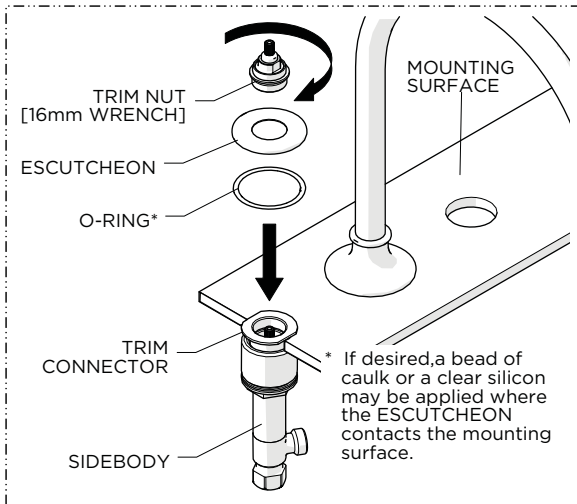
6. Thread the TRIM CONNECTOR onto the SIDEBODY until it stops and let it rest on the mounting surface then hand-tighten the NUT against the underside of the mounting surface.
CAUTION: Do **NOT** over-tighten the NUT to allow for proper handle alignment during HANDLE installation. PAGE 2 OF 5 | UPDATED ON 9.11.2018

INSTALLATION GUIDELINES

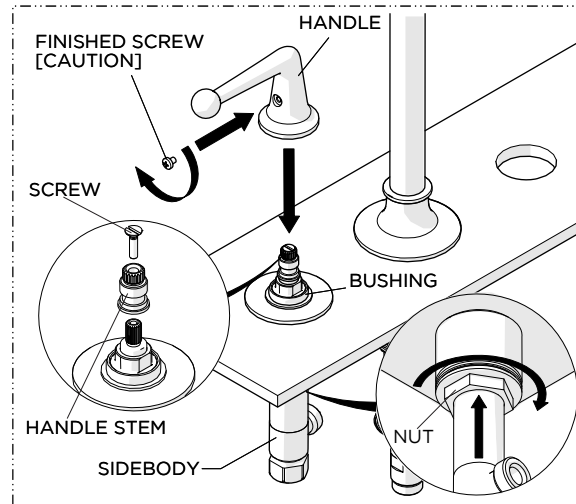


STYLE No. DSKM30

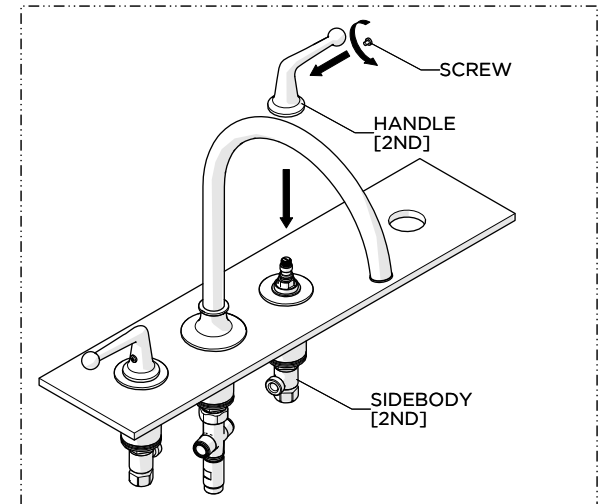
Dash Three Hole Gooseneck Kitchen Faucet with Metal Lever Handles and Spray



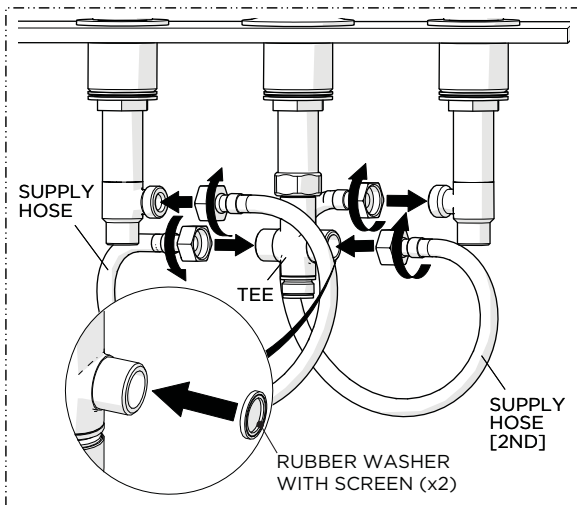
7. Place the ESCUTCHEON and O-RING over the TRIM CONNECTOR then thread and securely tighten the TRIM NUT into the TRIM CONNECTOR.



8. Place the HANDLE onto the HANDLE STEM, thread and securely tighten the FINISHED SCREW, ensure the HANDLE is in the desired orientation then securely tighten the NUT on the SIDEBODY.



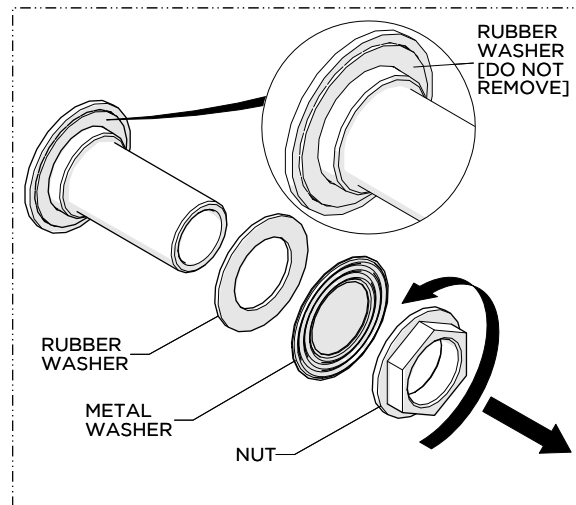
9. Repeat steps 4 through 8 to install the second HANDLE.



10. Connect the SIDEBODIES to the TEE using the SUPPLY HOSES provided. Securely tighten the HOSES and ensure they are not pinched/kinked.

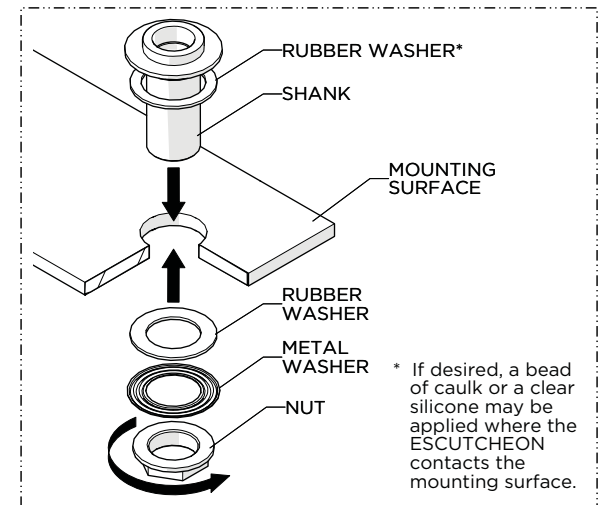
NOTE: Make sure to include the RUBBER WASHERS WITH SCREENS provided on either both sides of the TEE.

PRODUCT SUPPORT | 800.927.2120 | WATERWORKS.COM



11. Unthread and remove the NUT, METAL WASHER, and RUBBER WASHER from the SHANK.

NOTE: Do NOT remove the RUBBER WASHER beneath the ESCUTCHEON.

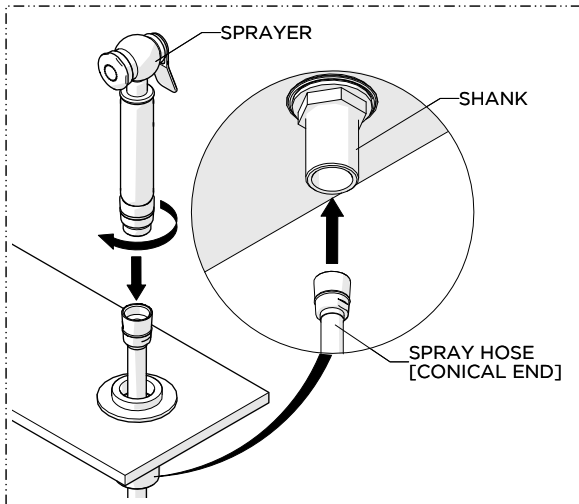


12. Insert the SHANK through the hole on the mounting surface making sure the RUBBER WASHER provided is beneath the ESCUTCHEON then re-install the WASHERS then securely tighten the NUT.

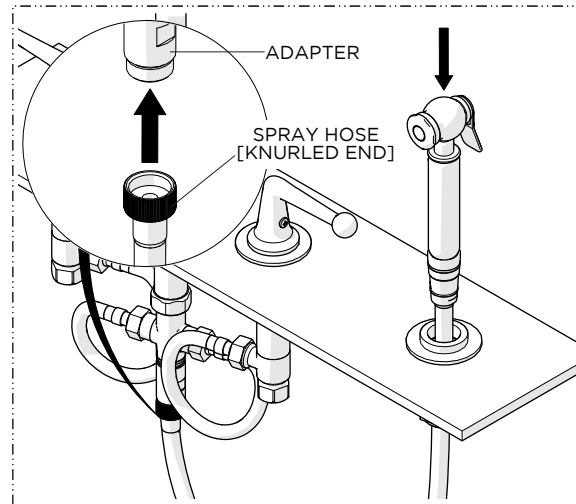
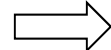
* If desired, a bead of caulk or a clear silicone may be applied where the ESCUTCHEON contacts the mounting surface.

WATERWORKS

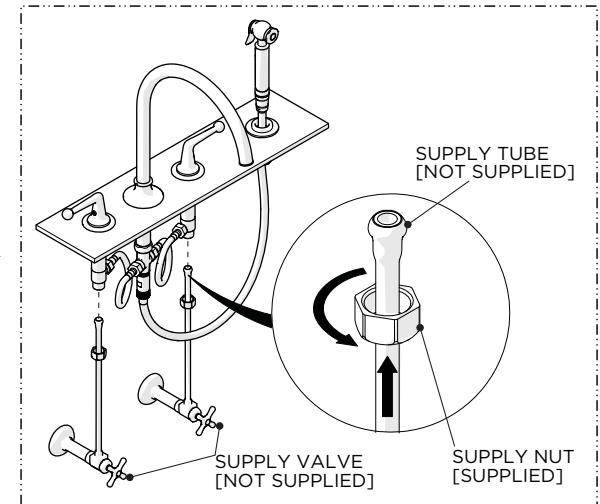
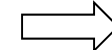
INSTALLATION GUIDELINES



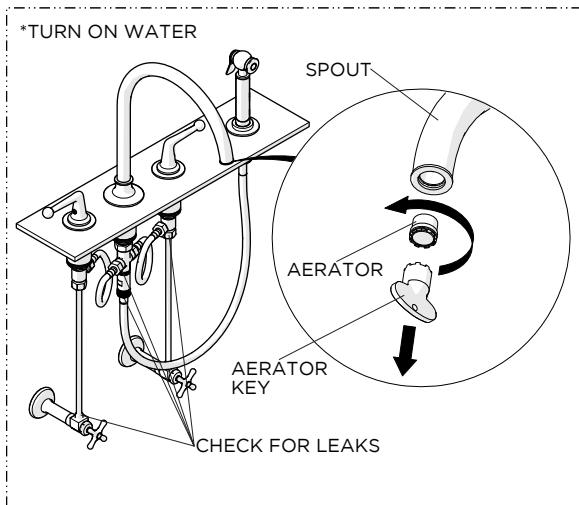
13. Insert the **SPRAY HOSE** [conical end] through the **SHANK** and the **ESCUTCHEON** then thread and securely tighten the **SPARYER** onto the **HOSE**.



14. Insert the **SPRAYER** into the **ESCUTCHEON** until it stops then securely tighten the **HOSE** [knurled end] onto the **TEE**.

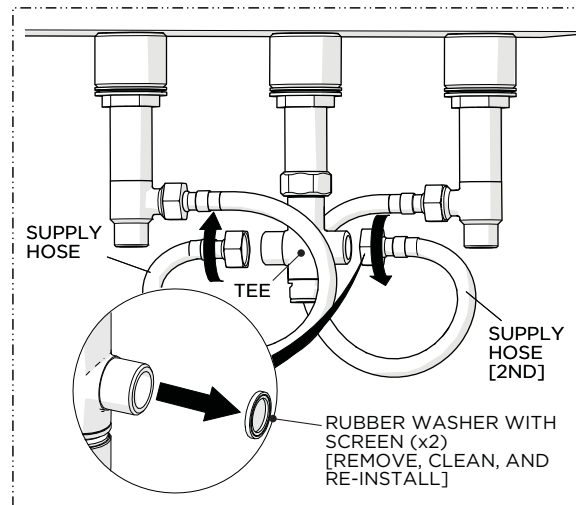
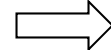


15. Make final **SUPPLY VALVE** [sold separately] connections.

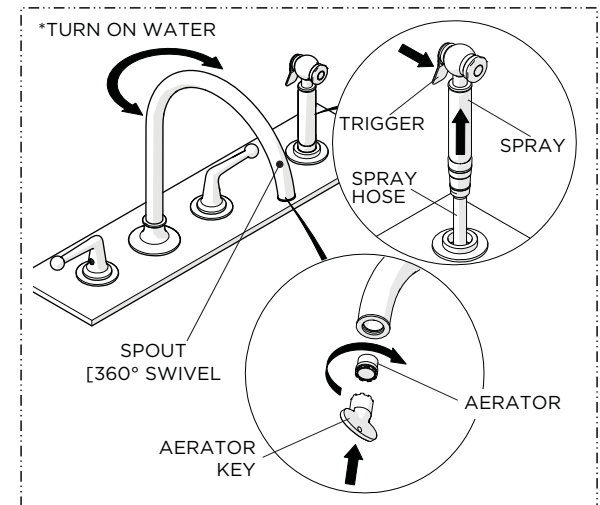
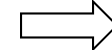


16. Unthread and remove the **AERATOR** then turn on the water to flush out any debris in the supply lines and inspect all connections for leaks.

CAUTION: Flush out the supply lines prior to operating the **SPRAYER**.



17. Turn off the water and unthread both the **SUPPLY HOSES** from the **TEE** to remove and clean the **RUBBER WASHERS WITH SCREENS** then re-install the **WASHERS** and **HOSES**.



18. Re-install the **AERATOR** then turn on water and operate the **SPRAY** and **SPOUT** to ensure they operate and function properly.

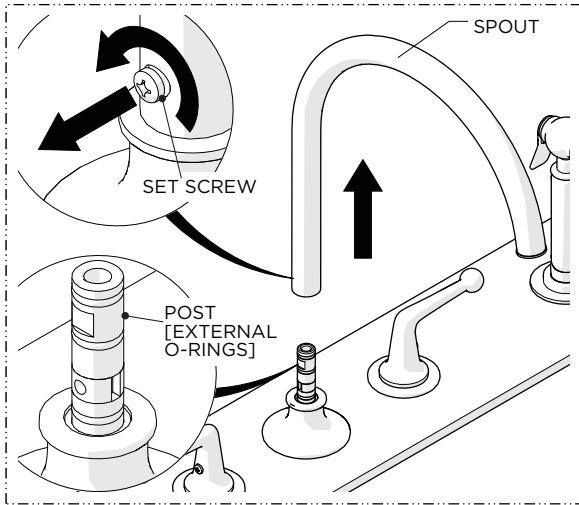
INSTALLATION GUIDELINES

0061



STYLE No. DSKM30

Dash Three Hole Gooseneck
Kitchen Faucet with Metal Lever
Handles and Spray



SERVICING THE SPOUT:

1. Loosen but do **NOT** remove the SET SCREW at the base of the SPOUT then remove the SPOUT to expose the POST and external O-RINGS.