

UNIVERSAL

UNWD50

Universal Modern One Hole Instant Hot and Filtered Cold Water Dispenser with Metal Lever Handle



SHOWN IN UNIVERSAL MODERN ONE HOLE INSTANT HOT AND FILTERED COLD WATER DISPENSER WITH METAL LEVER

TECHNICAL DETAILS

Deck Thickness Maximum: 3"
Deck Thickness Minimum: 1/4"
Escutcheon Primary Material: Brass
Fittings Hole Diameter: 1 3/8"
Depth / Width: 7 3/8"
Height: 5 9/16"
Inlet Connection Size: 1/4"
Inlet Connection Type: Tube OD
Installation Type: Deck Mounted
Length: 2 1/2"
Number of Holes: One Hole
Primary Material: Brass
Spout Swivel: Y
Suggested Application: Bar, Kitchen, Laundry
Valve Material: Ceramic
Water Pressure Maximum: 85.0 psi
Water Pressure Minimum: 20.0 psi
Water Pressure Recommended: 45.0 psi

INSPIRATION

Our Universal collection features timeless designs complementing any of our Waterworks. With a wide range of product, from fittings to accessories, Universal adds exquisite proportion and balance to any environment.

PRODUCT FEATURES

On demand, 190° hot water and filtered cold water in one tap, controlled by one handle.

All brass construction, available in all WW finishes.

Universal, low profile design complements the kitchen faucet.

WATERWORKS

UNIVERSAL

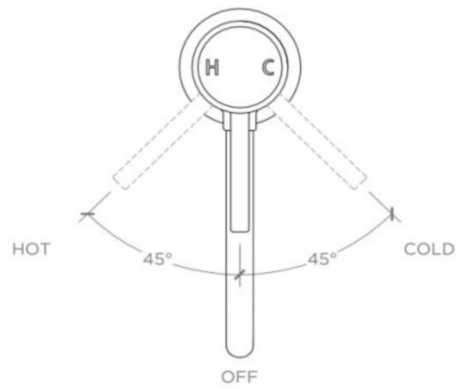
UNWD50

Universal Modern One Hole Instant Hot and Filtered Cold Water Dispenser with Metal Lever Handle



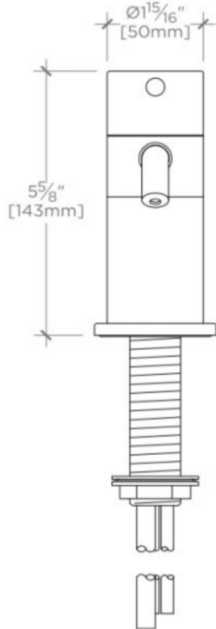
TOP VIEW

SCALE: 3"=1'-0"



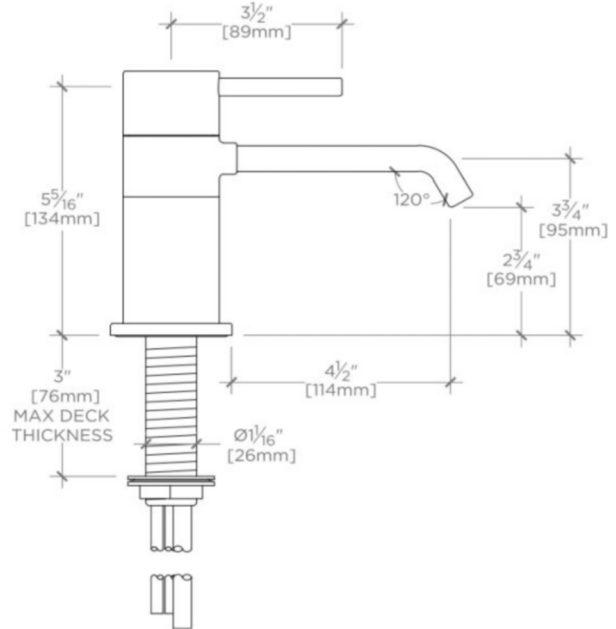
HANDLE OPERATION VIEW

SCALE: 3"=1'-0"



FRONT VIEW

SCALE: 3"=1'-0"



SIDE VIEW

SCALE: 3"=1'-0"