

FLYTE

FLLS10

Flyte Low Profile Three Hole Deck Mounted Lavatory Faucet with Metal Lever Handles



SHOWN IN CHROME

TECHNICAL DETAILS

ADA Compliance: Yes
 Adjustable versus Fixed Spray: Fixed Spray
 Deck Thickness Maximum: 2 1/2"
 Deck Thickness Minimum: 3/8"
 Drain Depth Maximum: 2"
 Drain Hole Diameter: 1 1/2"
 Escutcheon Primary Material: Brass
 Fittings Hole Diameter: 1 3/8"
 Flow Restriction Options: 1.0
 Handle Spread Maximum: 12"
 Handle Spread Minimum: 8"
 Handle Turn Angle: Quarter Turn
 Depth / Width: 7 5/8"
 Drain Depth Minimum: 1 1/4"
 Height: 4 1/8"
 Inlet Connection Size: 1/2"
 Inlet Connection Type: Male with Supply Nut
 Inlet Supply Spread Maximum: 12"
 Inlet Supply Spread Minimum: 8"
 Installation Type: Deck Mounted
 Integrated Diverter: N
 Integrated Spray: N
 Length: 15 1/4"
 Number of Handles: Two
 Number of Holes: Three Hole
 Primary Material: Brass
 Restricted Maximum Flow Rate: 1.5 gpm
 Spout Reach: 6"
 Spout Swivel: N
 Spray Included in Unit: N
 Suggested Application: Bath
 Valve Material: Ceramic
 Water Pressure Maximum: 85.0 psi
 Water Pressure Minimum: 20.0 psi
 Water Pressure Recommended: 45.0 psi

INSPIRATION

Clean lines and simple geometric shapes are enhanced by perfect proportions in this light and fluid collection. Flyte offers a uniquely striking way to accent a modern bath.

CODES & STANDARDS

Code # FLLS10:

PRODUCT FEATURES

Push touch USA style drain included.

This item is stocked in a Chrome and Nickel finishes

Lever Handles

Standard flow rate 1.5gpm (5.7 L/min). Also available in high efficient flow options. Contact your sales associate or call 1 (800) 899-6757 for details.

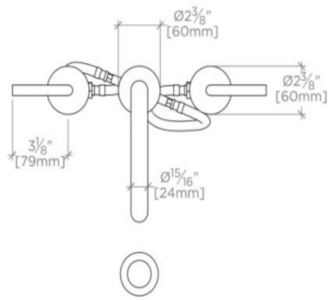
CERTIFICATIONS



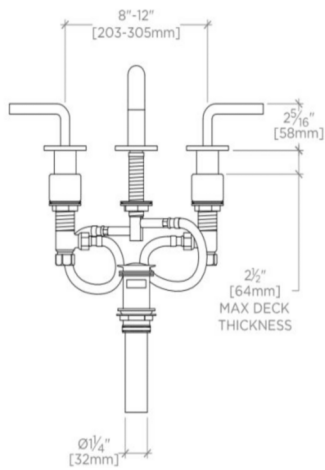
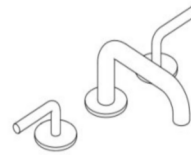
FLYTE

FLLS10

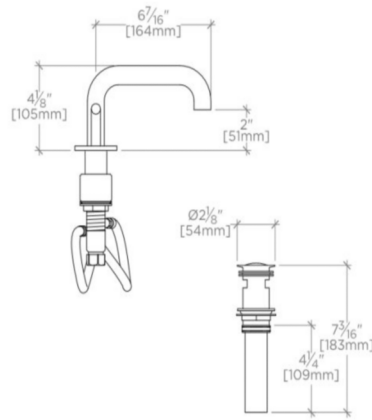
Flyte Low Profile Three Hole Deck Mounted Lavatory Faucet with Metal Lever Handles



TOP VIEW SCALE: 1/2"=1'-0"



FRONT VIEW SCALE: 1/2"=1'-0"



SIDE VIEW SCALE: 1/2"=1'-0"