

## ROADSTER

RDHS01

Roadster Handshower On Hook with Metal Handle



SHOWN IN ROADSTER HANDSHOWER ON HOOK WITH METAL HANDLE | RDHS01

### TECHNICAL DETAILS

ADA Compliance: Yes  
Adjustable versus Fixed Spray: Fixed Spray  
Diameter of Head: 2 3/4"  
Escutcheon Primary Material: Brass  
Fittings Hole Diameter: 1 1/4"  
Flow Restriction Options: 2.0, 1.75, 1.5, 0.92  
Handshower / Spray Hose Length: 59"  
Depth / Width: 4 7/8"  
Height: 10 1/16"  
Inlet Connection Size: 1/2"  
Inlet Connection Type: Female NPT  
Installation Type: Wall Mounted  
Integrated Diverter: N  
Length: 4 1/16"  
Pivot: N  
Primary Material: Brass  
Suggested Application: Bath  
Water Pressure Maximum: 85.0 psi  
Water Pressure Minimum: 20.0 psi  
Water Pressure Recommended: 45.0 psi

### INSPIRATION

Inspired by vintage sports cars, these classic yet sharp silhouettes feature octagonal indices and geometric forms: perfect for giving any bath a dash of retro cool.

### CODES & STANDARDS

Code # RDHS01: Certified with CEC, Watersense

### PRODUCT FEATURES

This item is stocked in a Chrome, Nickel and Unlacquered Brass finishes.

Linear Spray Pattern

Easy To Grip

Stocked in 2.0gpm (7.6 L/min) and 1.75gpm (6.6 L/min). State of California requires 1.75gpm (6.6 L/min) to comply with their water conservation requirements. Other flow options are available to order, contact your sales associate or call 1 (800) 899-6757 for details.

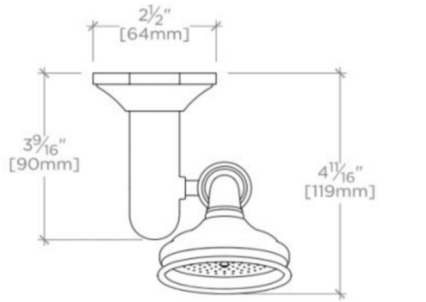
### CERTIFICATIONS



## ROADSTER

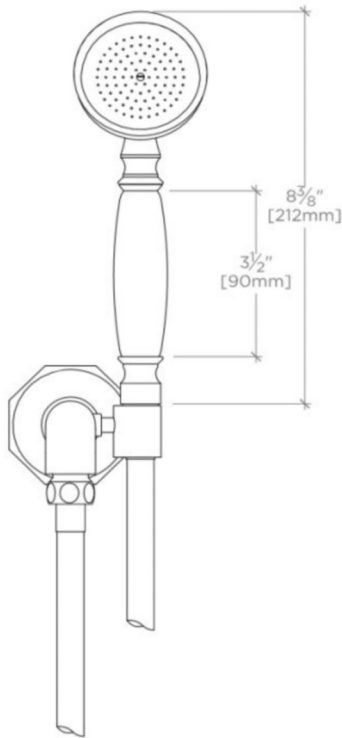
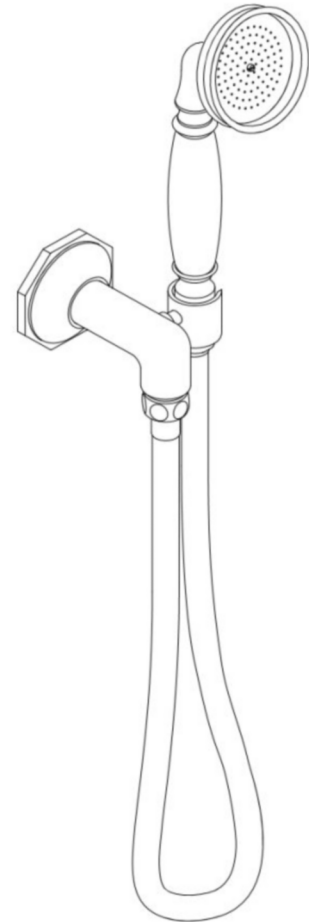
RDHS01

Roadster Handshower On Hook with Metal Handle



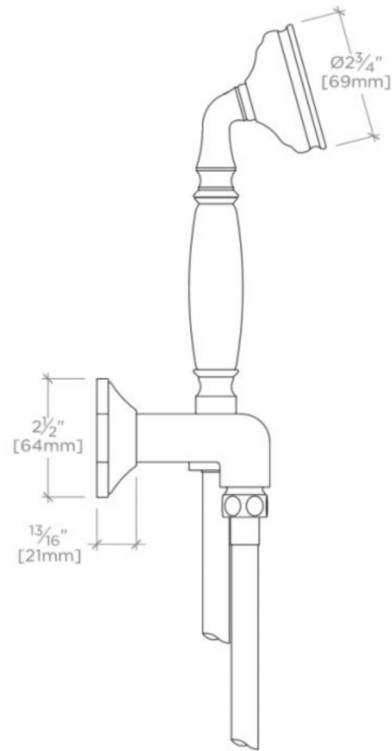
TOP VIEW

SCALE: 3"=1'-0"



FRONT VIEW

SCALE: 3"=1'-0"



SIDE VIEW

SCALE: 3"=1'-0"