

HENRY

HNWS03

Henry Metal Round Double Three Leg Washstand 54 15/16" x 20" x 31 3/4"



TECHNICAL DETAILS

Depth / Width: 20"
Height: 31 3/4"
Length: 54 15/16"
Primary Material: 20 SWG Brass
Suggested Application: Bath

INSPIRATION

Influenced by the connection of industry and art Henry easily transitions between modern, traditional, utilitarian and classic settings.

PRODUCT FEATURES

Proprietary design with coin-edge and hexagonal details.
Lower shelf for storage.
Custom lengths available.



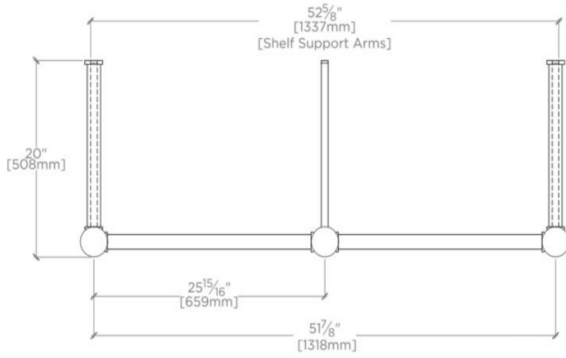
WATERWORKS

HENRY

HNWS03

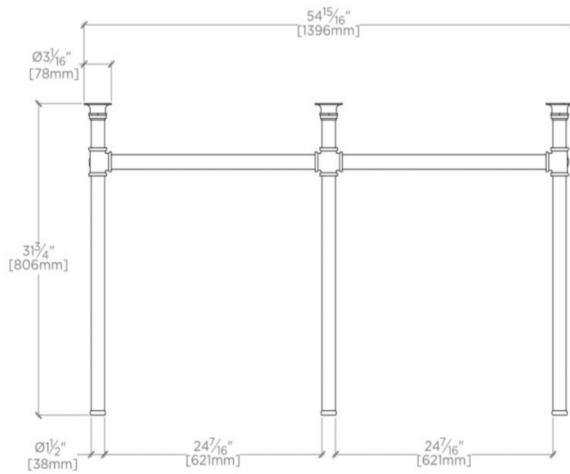
Henry Metal Round Double Three Leg Washstand 54 15/16" x 20" x 31 3/4"

NOTE: Feet are adjustable to a maximum of 1/8" [4mm].



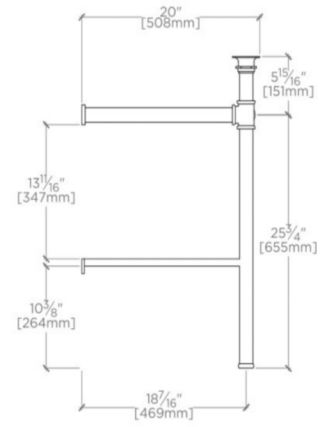
TOP VIEW

SCALE: 3/4"=1'-0"



FRONT VIEW

SCALE: 3/4"=1'-0"



SIDE VIEW

SCALE: 3/4"=1'-0"