

## EASTON

## EAKM05

Easton Classic Two Hole Bridge Gooseneck Kitchen Faucet, Oak Lever Handles



SHOWN IN EASTON CLASSIC TWO HOLE BRIDGE GOOSENECK KITCHEN FAUCET, OAK LEVER HANDLES| EAKM05

### TECHNICAL DETAILS

ADA Compliance: Yes  
Adjustable versus Fixed Spray: Fixed Spray  
Deck Thickness Maximum: 32 mm  
Deck Thickness Minimum: 0 mm  
Fittings Hole Diameter: 25 mm  
Flow Restriction Options: 1.75, 1.5, 1.0  
Handle Spread Maximum: 200 mm  
Handle Spread Minimum: 200 mm  
Handle Turn Angle: Quarter Turn  
Index Color / Finish and Material: White Porcelain  
Depth / Width: 337 mm  
Height: 406 mm  
Inlet Connection Size: 1/2"  
Inlet Connection Type: Straight Male Threads  
Inlet Supply Spread Maximum: 276 mm  
Inlet Supply Spread Minimum: 124 mm  
Length: 343 mm  
Number of Holes: Two Hole  
Primary Material: Brass  
Restricted Maximum Flow Rate: 8.3 liters/min  
Spray Included in Unit: N  
Suggested Application: Bar, Kitchen, Laundry  
Valve Material: Ceramic  
Water Pressure Maximum: 6.0 bar  
Water Pressure Minimum: 1.5 bar  
Water Pressure Recommended: 3.0 bar

### INSPIRATION

Drawing on Edwardian style, Easton is the most extensive Waterworks family; a range of moods and a selection of products from fittings to furniture.

### CODES & STANDARDS

Code # EAKM05: CEC

### PRODUCT FEATURES

Brass metal is used for all trim and valve components

The manufacturing process encompasses casting, turning, forging, hand-fitting and hand polishing.

Easton is our most comprehensive fittings family.

Easton has a clean-lined utilitarian profile, with a slightly elongated spout.

Standard flow rate is 2.2gpm (8.3 L/min) and State of California requires a maximum of 1.8gpm(6.8 L/min). Also available in other flow options. Contact a sales associate for details.

### CERTIFICATIONS



### PRODUCT (NOTES)

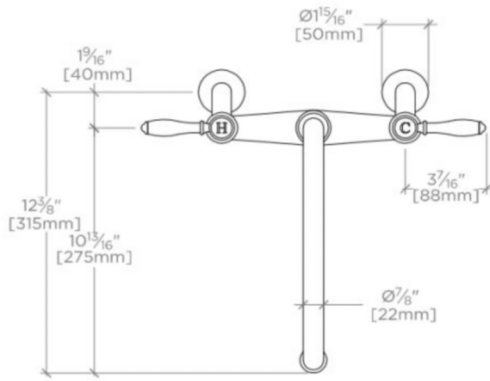
Spray sold separately

# WATERWORKS

## EASTON

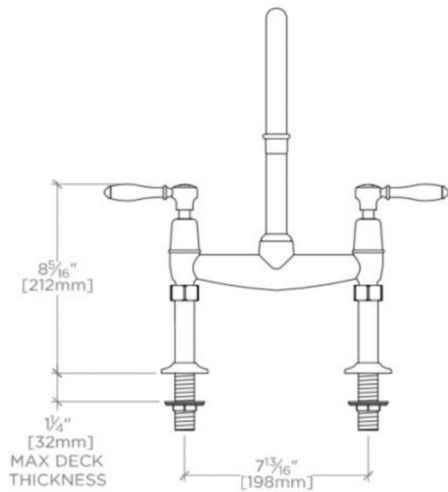
## EAKM05

Easton Classic Two Hole Bridge Gooseneck Kitchen Faucet, Oak  
Lever Handles



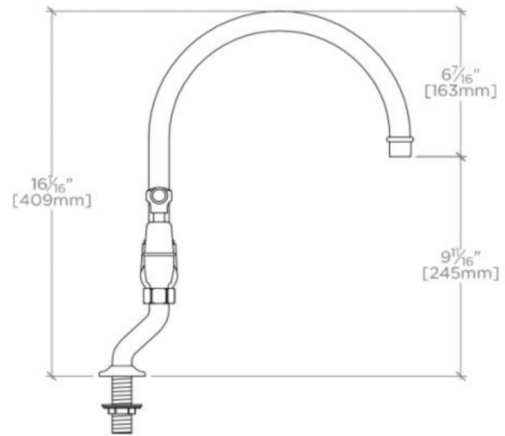
TOP VIEW

SCALE: 1½"=1'-0"



FRONT VIEW

SCALE: 1½"=1'-0"



SIDE VIEW

SCALE: 1½"=1'-0"