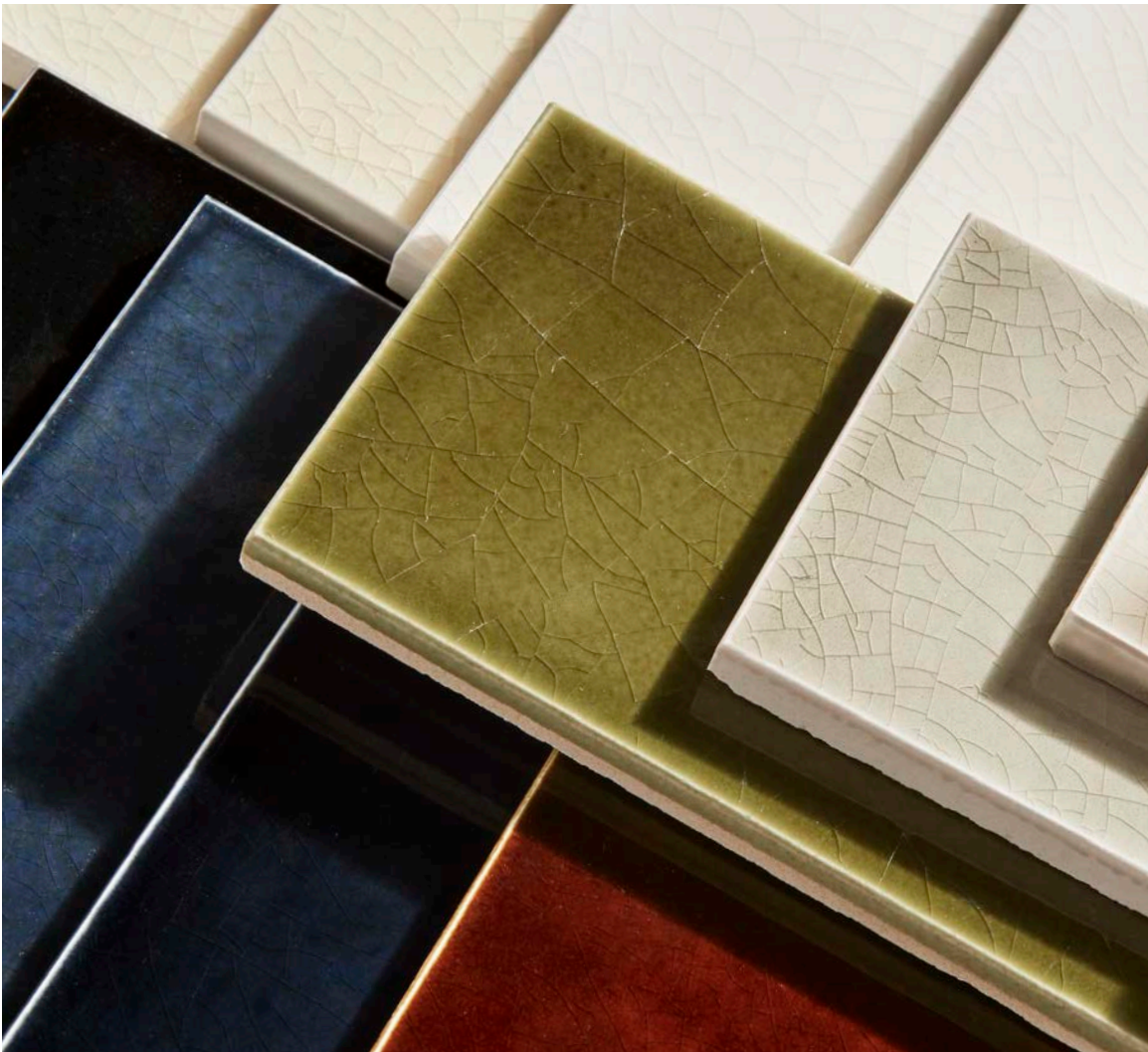




ESTB. 1978

WATERWORKS

District Tile



District Tile features transparent glazes characterized by pooling and a crackle surface in deep, rich colors. Assorted handmade or precise field sizes are complimented by moldings and trimmers—the architectural building blocks that create stunning interiors.



ESTB. 1978

WATERWORKS

District Tile

FIELD TILE



1 1/8" X 6"



2" X 2"



2" X 6"



4" X 4"



3" X 6"



4" X 8"



6" X 6"

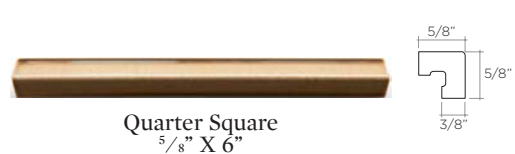


ESTB. 1978

WATERWORKS

District Tile

ARCHITECTURAL TRIM





ESTB. 1978

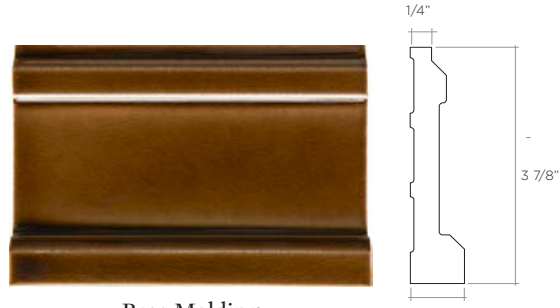
WATERWORKS

District Tile

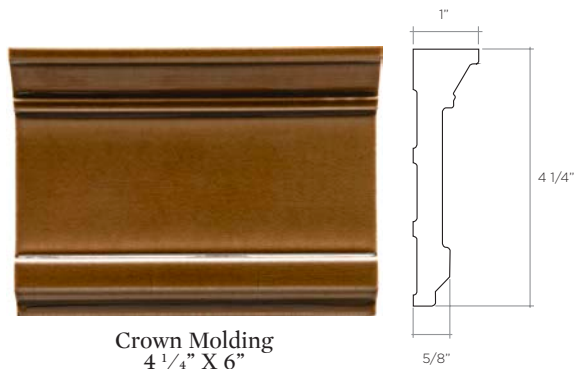
ARCHITECTURAL TRIM



Mud Base
3 1/4" X 6"



Base Molding
3 7/8" X 6"



Crown Molding
4 1/4" X 6"



ESTB. 1978

WATERWORKS

District Tile

PALETTE



Birch V2-V3
(Glossy Crackle)



Burnt Sugar V3-V4
(Glossy Crackle)



Butter V2-V3
(Glossy Crackle)



Cygnet V1
(Glossy Crackle)



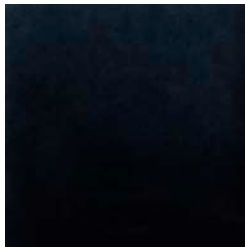
Fig V3-V4
(Glossy Crackle)



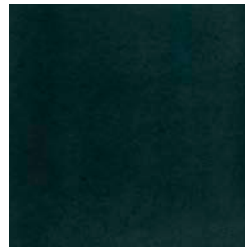
Grasshopper V2-V3
(Glossy Crackle)



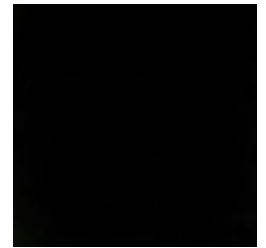
Hickory V2-V3
(Glossy Crackle)



Ink V3-V4
(Glossy Crackle)



Lagoon V2-V3
(Glossy Crackle)



Licorice V1
(Glossy Solid)



Marigold V2-V3
(Glossy Crackle)



Platinum V2-V3
(Glossy Crackle)



Privet V3-V4
(Glossy Crackle)



Seaweed V2-V3
(Glossy Crackle)



Sparrow V2-V3
(Glossy Crackle)



Whippet V2-V3
(Glossy Crackle)

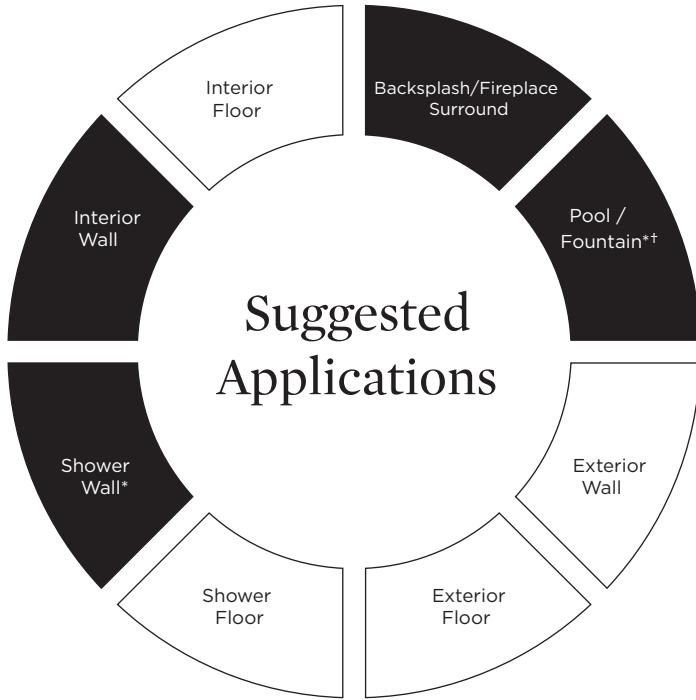
* See Variation Chart on Next Page



ESTB. 1978

WATERWORKS

District Tile



● Recommended Use ○ Not Recommended Use

Application Notes

- * Suitable for use in wet environments, including steam showers, if properly installed, sealed, and maintained
- † Suitable above waterline in tropical/subtropical climates ONLY

Variation Level

V1	V2	V3	V4	V5

1. MINIMAL, IF ANY COLOR VARIATION
2. SLIGHT COLOR VARIATION CAN BE EXPECTED
3. A MEDIUM RANGE OF COLOR VARIATION IS TYPICAL; DARKER AND LIGHTER TONES ARE EVIDENT
4. CONSIDERABLE COLOR VARIATION IS TYPICAL; FROM DARKS TO LIGHTS AND SOME TONE CHANGES
5. EXTREME COLOR VARIATION CAN BE EXPECTED - THE RANGE IS OFTEN DIFFERING BUT COMPLEMENTARY

Thickness

1/4"*

*Nominal: +/- 1/8"

Suggested Grout Lines

1/16" - 1/8"

Installation / Maintenance

- WATERWORKS ASSUMES NO RESPONSIBILITY FOR INSTALLATION
- Installation constitutes acceptance.
- Tile should be installed by a licensed and experienced tile setter.
- Refer to TCNA (Tile Council of North America) or ANSI standards for installation guidelines.
- All tile must be inspected PRIOR to installation.
- Dry lay tile prior to installation to allow for blending of color variation.
- Seal tile PRIOR to grouting. Dark grout can stain crackle tile.
- Waterworks recommends a grouted test panel prior to installation to understand final appearance of grouted materials.
- Re-seal tile and grout after installation and maintain regularly.