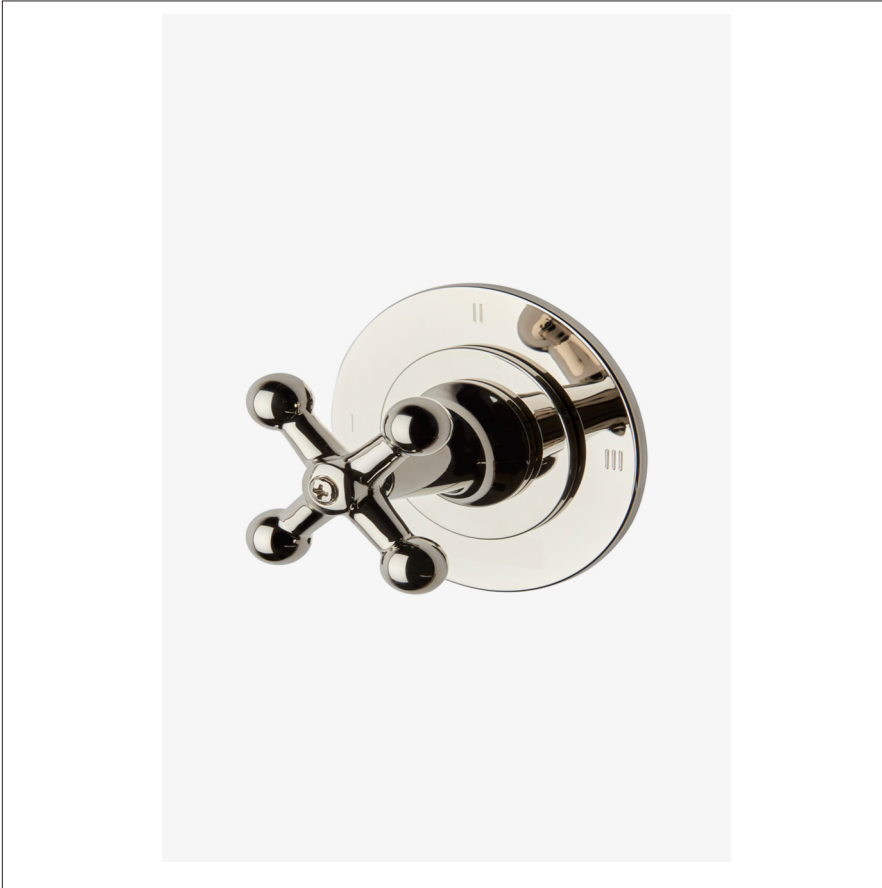


## DASH

DS3P01

Dash Three Way Pressure Balance Diverter Valve Trim with Roman Numerals and Metal Cross Handle



SHOWN IN DASH THREE WAY PRESSURE BALANCE DIVERTER VALVE TRIM WITH ROMAN NUMERALS AND METAL CROSS

### TECHNICAL DETAILS

Control Valve Rough-in Depth Maximum: 140 mm  
Control Valve Rough-in Depth Minimum: 83 mm  
Escutcheon Primary Material: Brass  
Fittings Hole Diameter: 64 mm  
Handle Turn Angle: Quarter Turn Each Way  
Depth / Width: 71 mm  
Height: 95 mm  
Installation Type: Wall Mounted  
Length: 95 mm  
Number of Handles: One  
Primary Material: Brass  
Suggested Application: Bath

### INSPIRATION

A blend of art and function, Dash pays homage to design elements of the 1930s with pared-down shapes, softened curves and minimal details.

### PRODUCT FEATURES

Metal Cross Handle

For use with a Pressure Balance shower system and three waterway outlets such as a handshower, shower head, or tub spout

Roman Numeral Icons

Stocked in Nickel, Chrome, Unlacquered Brass, and Matte Nickel finishes

Requires valve rough GUDV65(USA) or GU65DV(UK) sold separately.

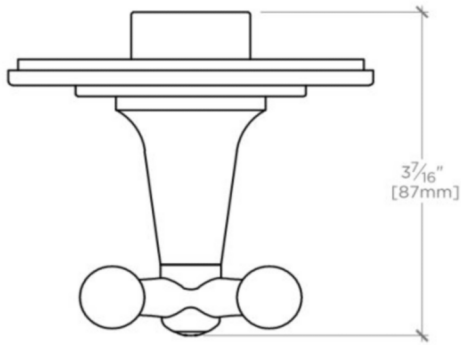
### PRODUCT (NOTES)

Product Requires Universal Three Way Diverter Valve for Pressure Balance Shower Systems [GUDV65]. Valve Sold Separately.

## DASH

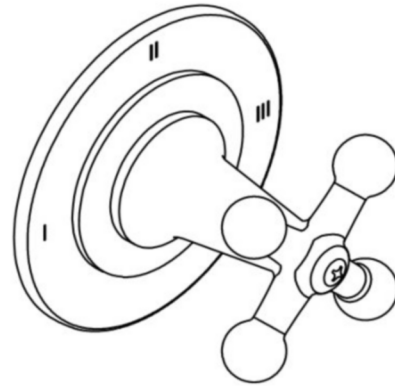
DS3P01

Dash Three Way Pressure Balance Diverter Valve Trim with Roman Numerals and Metal Cross Handle



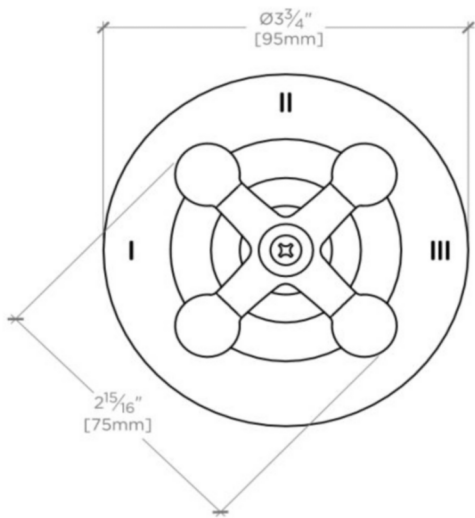
TOP VIEW

SCALE: 6"=1'-0"



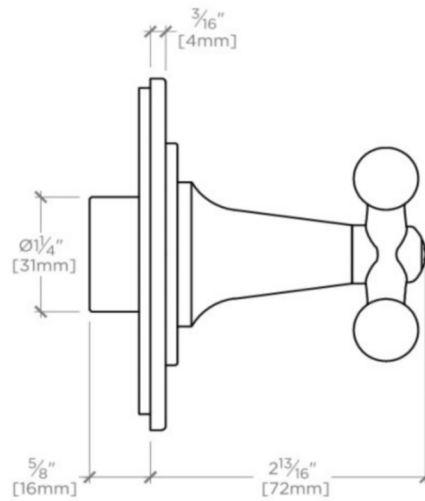
ISO VIEW

SCALE: 6"=1'-0"



FRONT VIEW

SCALE: 6"=1'-0"



SIDE VIEW

SCALE: 6"=1'-0"