

Style No. ISMR01

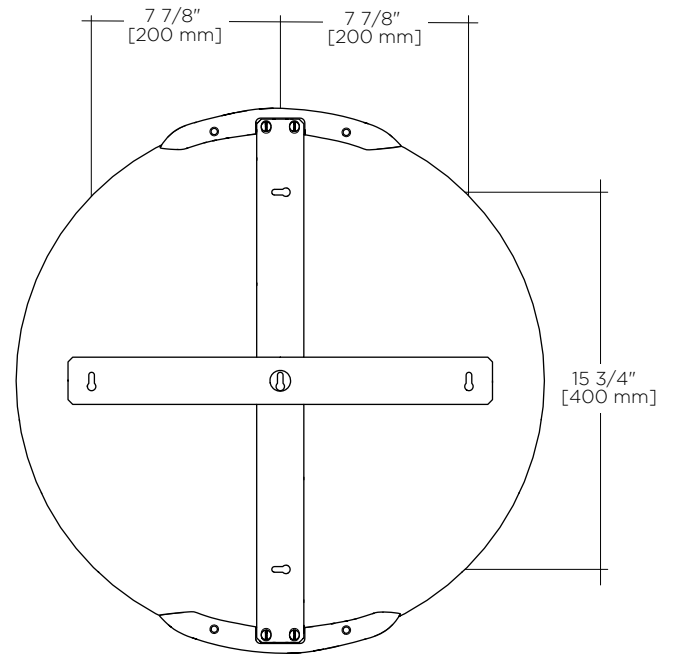
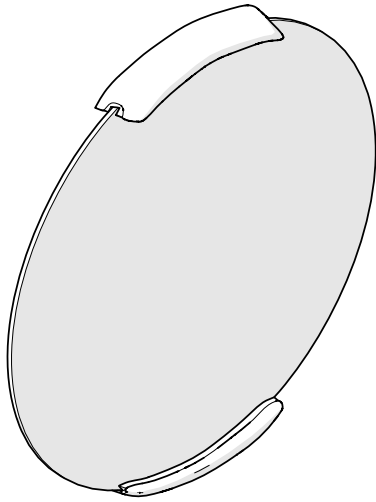


FIGURE - 01

IMPORTANT:

- To ensure this product is installed properly, you must read and follow these guidelines.
- The owner/user of this product must keep this information for future reference.
- This product must be installed by a professional licensed contractor.
- Inspect this product to ensure you have all the parts required for proper installation.

ACCESSORY INSTALLATION:

- **Wood blocking is recommended to ensure adequate support.**
 - **Note: Mirror can be hung vertically or horizontally.**
 - See Figure - 01 and 02 for Steps 1 - 3.
1. Verify the dimensions between mounting holes.
 2. Install 3 horizontal ANCHORS & SCREWS at a distance of 7-7/8" [200mm] apart from each other in the ideal location of the mirror.
 3. Carefully hang the MIRROR ASSEMBLY onto the SCREWS.
- If further assistance is required, please contact Product Support at 1-800-927-2120 Monday through Friday, 8am - 6pm EST.
 - Refer to the separate Service Parts Documents for available replacement parts.

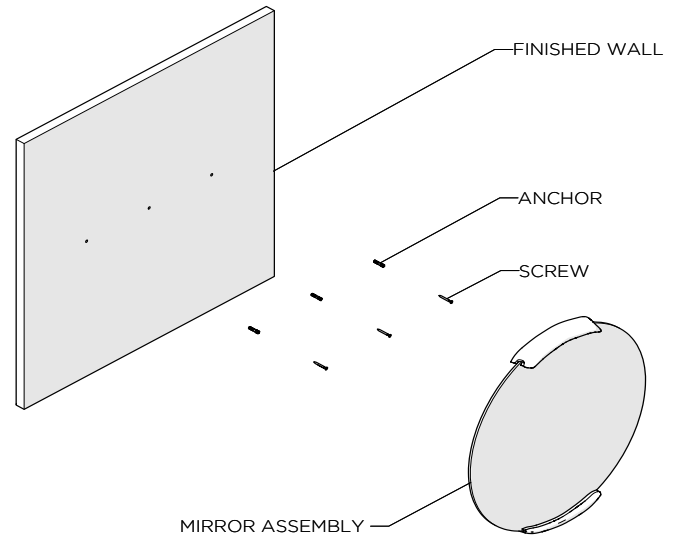


FIGURE - 02

These guidelines have been prepared for the professional contractor to aid in the installation of:
ISLA 22" ROUND WALL MOUNTED MIRROR (ISMR01)
All dimensions are based on original specification and are subject to change and variation.
Please consult your Design Associate for current specifications.

WATERWORKS