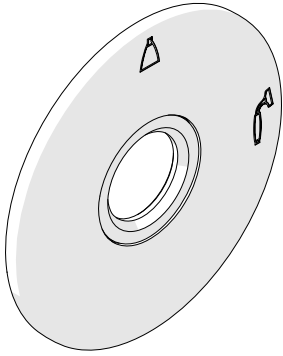


# UNIVERSAL

Diverter Plates for Pressure Balance and Thermostatic Shower Systems

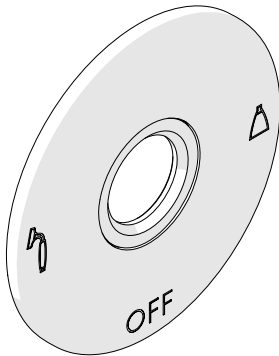
# INSTALLATION GUIDELINES

Two Way Pressure Balance  
Style No. UNDV2P



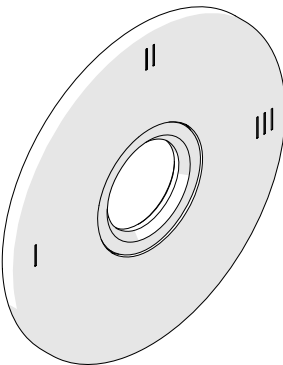
Required Valve  
Style # GUDV23  
(SOLD SEPARATELY)

Two Way Thermostatic  
Style No. UNDV2T



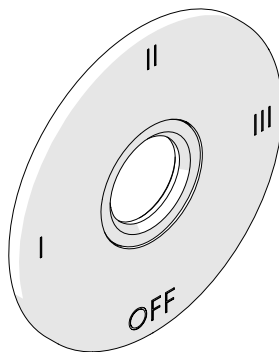
Required Valve  
Style # GUDV14  
(SOLD SEPARATELY)

Three Way Pressure Balance  
Style No. UNDV3P



Required Valve  
Style # GUDV65  
(SOLD SEPARATELY)

Three Way Thermostatic  
Style No. UNDV3T



Required Valve  
Style # GUDV66  
(SOLD SEPARATELY)

### IMPORTANT:

- To ensure this product is installed properly, you must read and follow these guidelines.
- The owner/user of this product must keep this information for future reference.
- This product must be installed with a Two or Three Way Diverter Valve (SOLD SEPARATELY) & Handle Trim (SOLD SEPARATELY). Please refer to the specific valve & specified handle trim installation guidelines for rough-in requirements.
- This product is supplied with a Plastic Insert that may be removed if the Handle Trim Adapter does not fit through it.
- Be sure your installation conforms to federal state, and local codes. In the State of Massachusetts, all

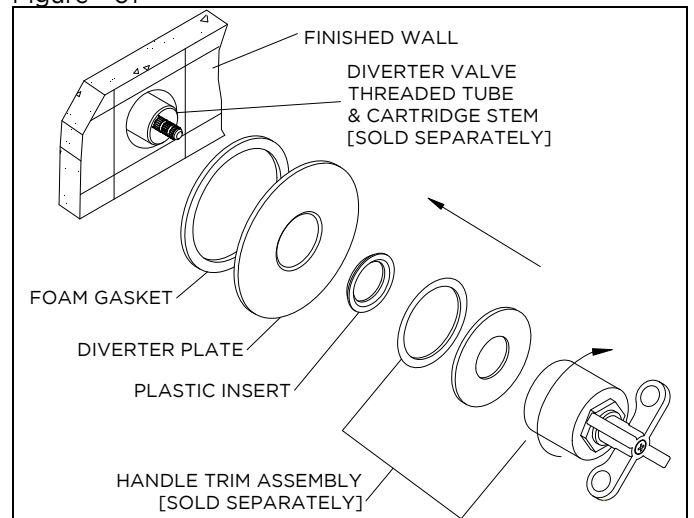
installations must comply with the rules and regulations set forth within 248 CMR.

- This product must be installed by a professional licensed contractor and must be onsite prior to rough-in, this allows the installer to visualize the installation.
- Inspect this product to ensure you have all the parts required for proper installation.
- Use only a strap wrench or protected/smooth-jaw wrench on any finished surface.
- DO NOT use putty on fittings.

### TRIM PLATE INSTALLATION:

- See Figure - 01 for Steps 1-3.
  - **Diverter valve must be roughed-in & finished wall must be complete prior to trim plate installation.**
1. Follow the installation guidelines for the specific handle trim used for proper cuts to be made to threaded tube and stem of cartridge.
  2. After the proper cuts have been made, slide diverter plate over the modified diverter valve components.
  3. Hold plate against the wall, making sure the foam gasket is behind it. Thread & tighten handle trim onto the threaded tube, making sure the handle is aligned. **Note: Discard the plastic insert if the handle trim does not fit through it.**

Figure - 01



- **If further assistance is required, please contact Product Support at 1-800-927-2120 (8am-6pm EST).**

These guidelines have been prepared for the professional contractor to aid in the installation of:  
**UNIVERSAL DIVERTER PLATES FOR PRESSURE BALANCE & THERMOSTATIC SHOWER SYSTEMS**  
(STYLE #'S UNDV2P, UNDV2T, UNDV3P & UNDV3T).  
All dimensions are based on original specification and are subject to change and variation.  
Please consult your Design Associate for current specifications.

# WATERWORKS