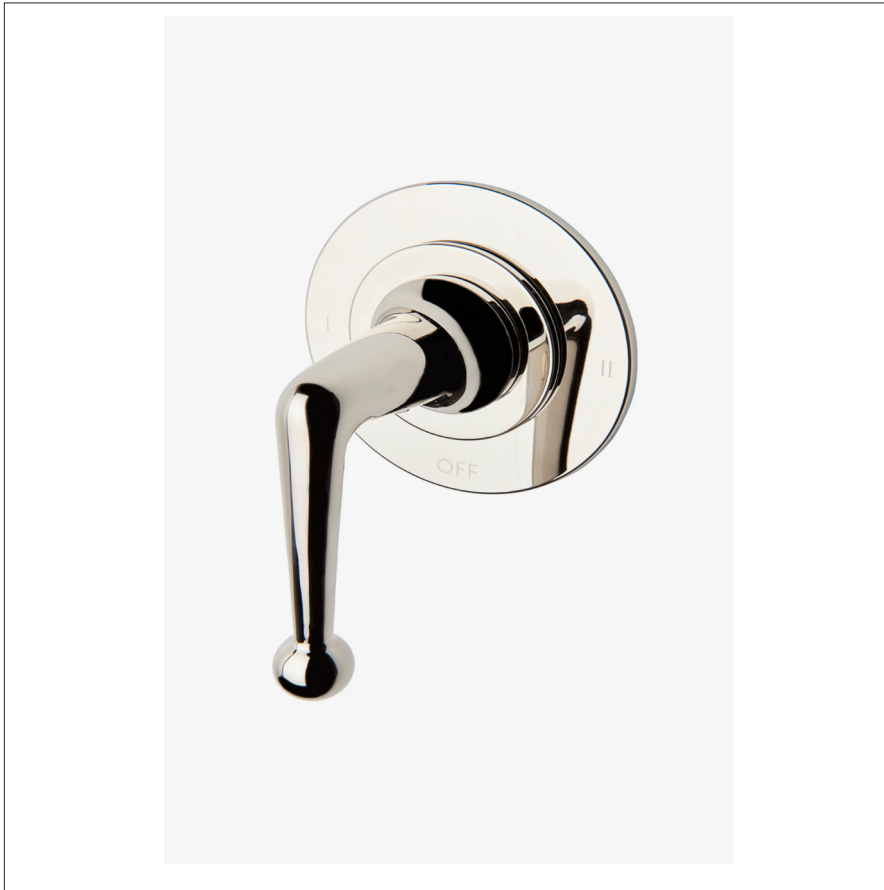


## DASH

DS2T10

Dash Two Way Thermostatic Diverter Valve Trim with Roman Numerals and Metal Lever Handle



SHOWN IN DASH TWO WAY THERMOSTATIC DIVERTER VALVE TRIM WITH ROMAN NUMERALS AND METAL LEVER HANDLE]

### TECHNICAL DETAILS

Control Valve Rough-in Depth Maximum: 140 mm  
Control Valve Rough-in Depth Minimum: 83 mm  
Escutcheon Primary Material: Brass  
Fittings Hole Diameter: 64 mm  
Handle Turn Angle: Quarter Turn Each Way  
Depth / Width: 73 mm  
Height: 137 mm  
Installation Type: Wall Mounted  
Length: 95 mm  
Number of Handles: One  
Primary Material: Brass  
Suggested Application: Bath

### INSPIRATION

A blend of art and function, Dash pays homage to design elements of the 1930s with pared-down shapes, softened curves and minimal details.

### PRODUCT FEATURES

Metal Lever Handle

For use with a Thermostatic shower system and two waterway outlets such as a handshower, shower head, or tub spout

Roman Numeral Icons

Stocked in Nickel, Chrome, Unlacquered Brass, and Matte Nickel finishes

Requires valve rough GUDV14(USA) or GU14DV(UK) sold separately.

### PRODUCT (NOTES)

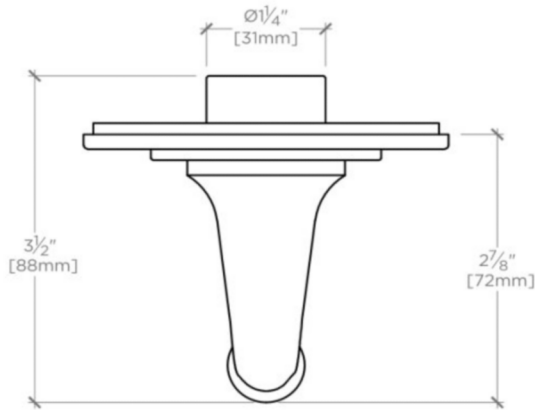
Product Requires Universal Two Way Diverter Valve for Thermostatic Shower Systems [GUDV14]. Valve Sold Separately.

# WATERWORKS

## DASH

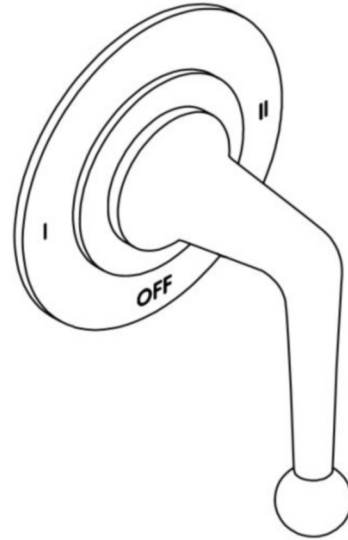
DS2T10

Dash Two Way Thermostatic Diverter Valve Trim with Roman Numerals and Metal Lever Handle



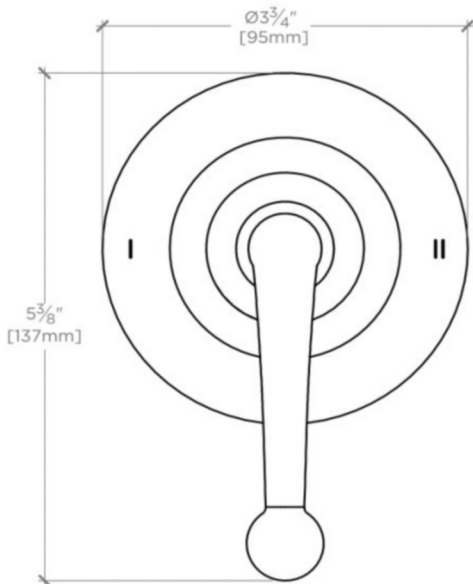
TOP VIEW

SCALE: 6"=1'-0"



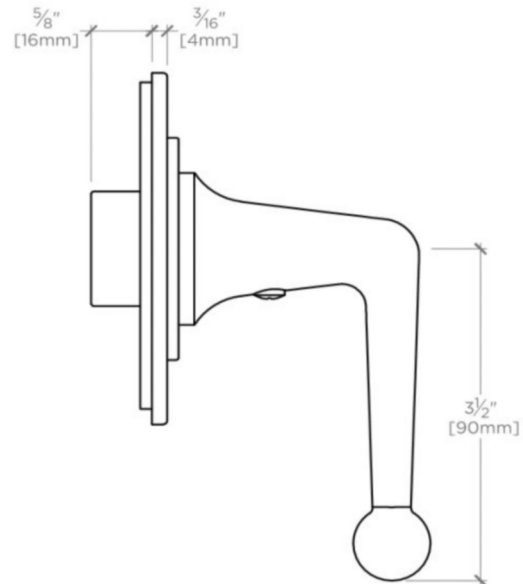
ISO VIEW

SCALE: 6"=1'-0"



FRONT VIEW

SCALE: 6"=1'-0"



SIDE VIEW

SCALE: 6"=1'-0"