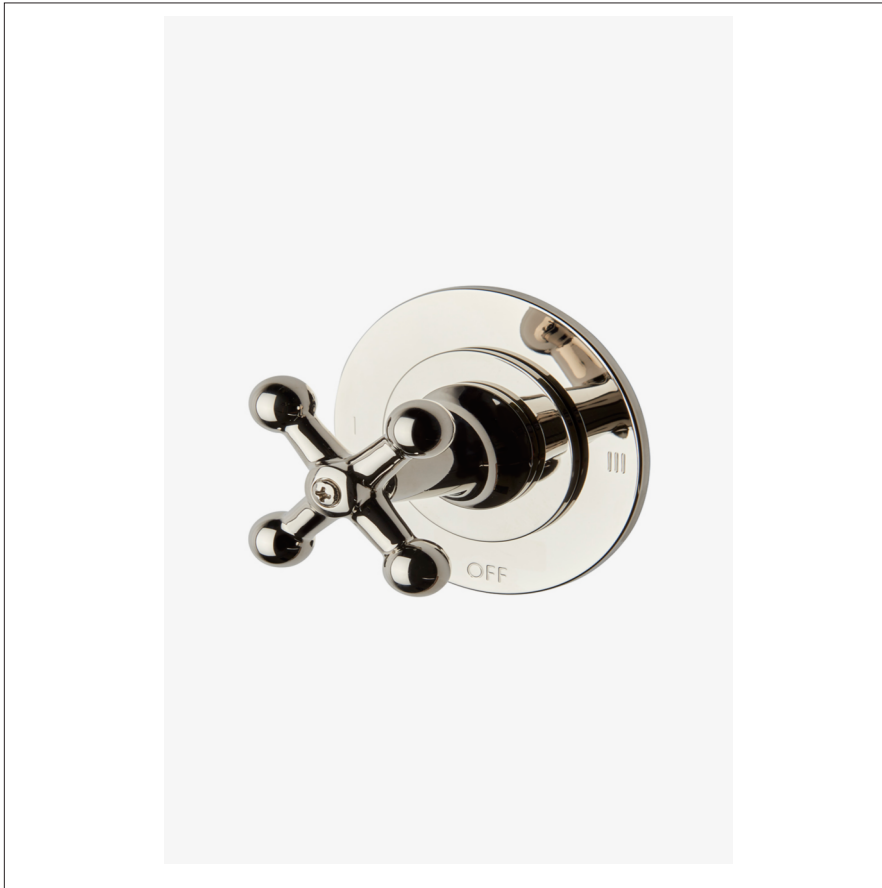


DASH

DS2T01

Dash Two Way Thermostatic Diverter Valve Trim with Roman Numerals and Metal Cross Handle



SHOWN IN DASH TWO WAY THERMOSTATIC DIVERTER VALVE TRIM WITH ROMAN NUMERALS AND METAL CROSS HANDLE]

TECHNICAL DETAILS

Control Valve Rough-in Depth Maximum: 140 mm
Control Valve Rough-in Depth Minimum: 83 mm
Escutcheon Primary Material: Brass
Fittings Hole Diameter: 64 mm
Handle Turn Angle: Quarter Turn Each Way
Depth / Width: 71 mm
Height: 95 mm
Installation Type: Wall Mounted
Length: 95 mm
Number of Handles: One
Primary Material: Brass
Suggested Application: Bath

INSPIRATION

A blend of art and function, Dash pays homage to design elements of the 1930s with pared-down shapes, softened curves and minimal details.

PRODUCT FEATURES

Metal Cross Handle

For use with a Thermostatic shower system and two waterway outlets such as a handshower, shower head, or tub spout

Roman Numeral Icons

Stocked in Nickel, Chrome, Unlacquered Brass, and Matte Nickel finishes

Requires valve rough GUDV14(USA) or GU14DV(UK) sold separately.

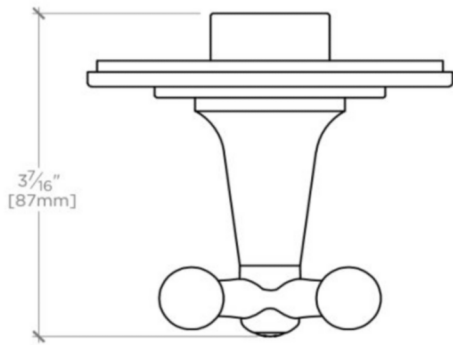
PRODUCT (NOTES)

Product Requires Universal Two Way Diverter Valve for Thermostatic Shower Systems [GUDV14]. Valve Sold Separately.

DASH

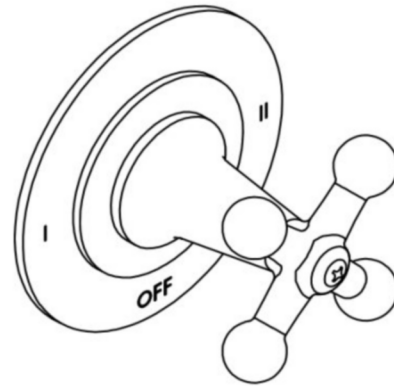
DS2T01

Dash Two Way Thermostatic Diverter Valve Trim with Roman Numerals and Metal Cross Handle



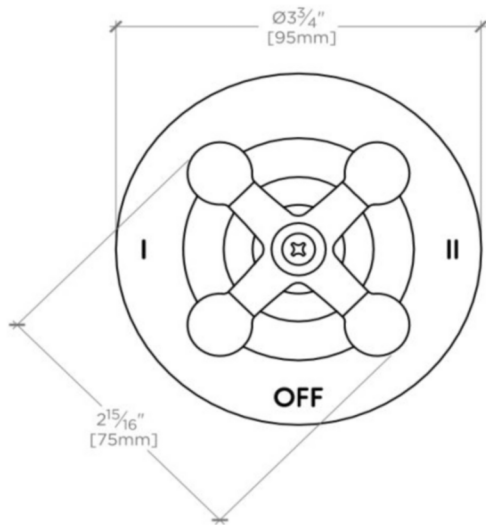
TOP VIEW

SCALE: 6"=1'-0"



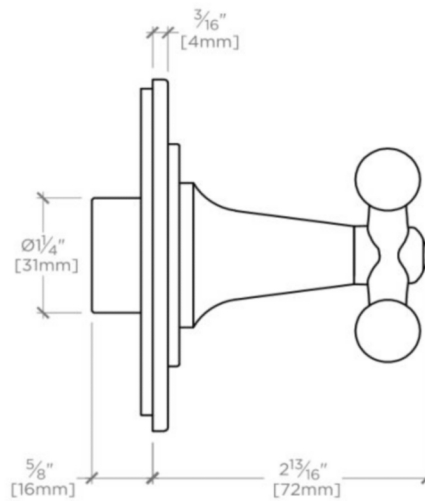
ISO VIEW

SCALE: 6"=1'-0"



FRONT VIEW

SCALE: 6"=1'-0"



SIDE VIEW

SCALE: 6"=1'-0"