

## ADVANCE

ADCB46

Advance Wood and Mirror Recessed Wood Medicine Cabinet  
25 3/16" x 35 5/8" x 1"



SHOWN IN ADVANCE WOOD AND MIRROR RECESSED WOOD MEDICINE CABINET 25 3/16" X 35 5/8" X 1" | ADCB46

### TECHNICAL DETAILS

Depth/Width: 4 7/16"  
Hardware Primary Material: Brass  
Hardware Shape: Round  
Height: 35 5/8"  
Hinge Primary Material: Brass  
Installation Type: Wall Mounted  
Length: 25 3/16"  
Number Of Drawers Shelves: Three  
Primary Material: Wood and Mirror  
Storage Type: Cabinet  
Suggested Application: Bath

### INSPIRATION

The Advance medicine cabinet provides essential storage to any bathroom.

### CODES & STANDARDS

### PRODUCT FEATURES

25 3/16" x 1" x 35 5/8"

3 Adjustable 3/8" Starphire Glass Shelves

Solid Maple Face Frame and Door  
- Can be Installed for Right or Left Swing  
Near Flush Design

Painted in Dove White with Nickel Hardware

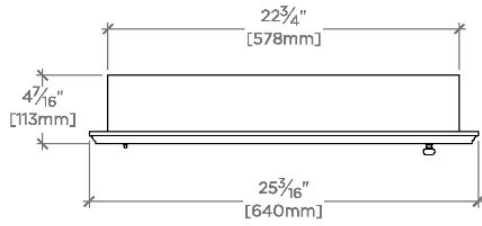
### CERTIFICATIONS

### PRODUCT (NOTES)

## ADVANCE

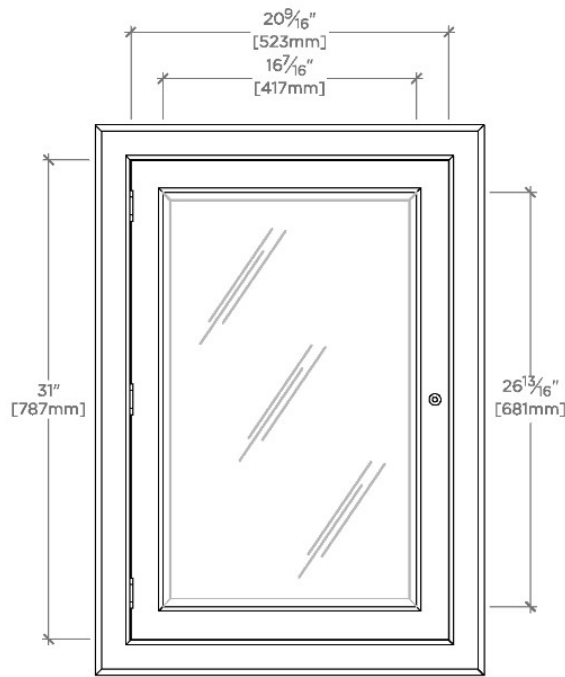
ADCB46

Advance Wood and Mirror Recessed Wood Medicine Cabinet  
 25 3/16" x 35 5/8" x 1"



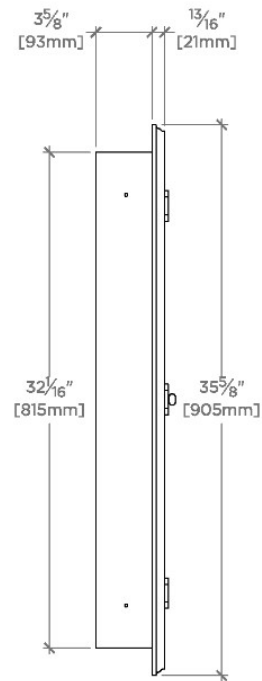
TOP VIEW

SCALE: 1"= 1'-0"



FRONT VIEW

SCALE: 1"= 1'-0"



SIDE VIEW

SCALE: 1"= 1'-0"