

UNIVERSAL

GULV25

Universal Lavatory Wall Mounted Rough Valve (Used with Lever Handle Lavatory Faucet)



TECHNICAL DETAILS

Fittings Hole Diameter: 1 1/8"
Handle Spread Maximum: 8"
Handle Spread Minimum: 8"
Handle Turn Angle: Quarter Turn
Depth / Width: 6"
Height: 2 3/4"
Inlet Connection Size: 1/2"
Inlet Connection Type: Female NPT
Installation Type: Wall Mounted
Length: 10"
Outlet Connection Size: 1/2"
Outlet Connection Type: Female NPT
Primary Material: Brass
Suggested Application: Bath
Valve Material: Ceramic
Water Pressure Maximum: 85.0 psi
Water Pressure Minimum: 20.0 psi
Water Pressure Recommended: 45.0 psi

INSPIRATION

Our Universal collection features timeless designs complementing any of our Waterworks. With a wide range of product, from fittings to accessories, Universal adds exquisite proportion and balance to any environment.

CODES & STANDARDS

Code # GUSV25: ASME A112.18.1 / CSA B125.1, State of MA, UL

PRODUCT FEATURES

This hot and cold cartridge rough is for use with Waterworks wall mounted faucets 1/2" NPT male inlet and 1/2" NPT female outlet, with quarter turn functionality
Made of brass materials
6 gpm unrestricted maximum flow at 45 psi
Available option that complies with 0.25% Weighted Average Lead Content (WALC).

CERTIFICATIONS

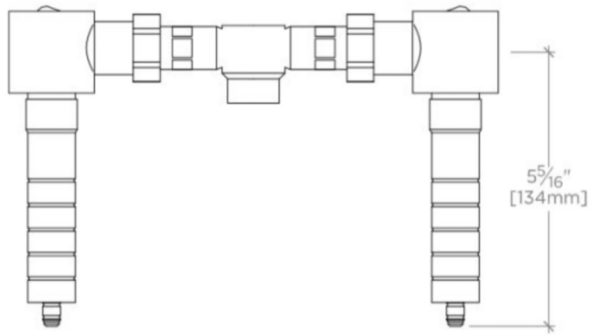


WATERWORKS

UNIVERSAL

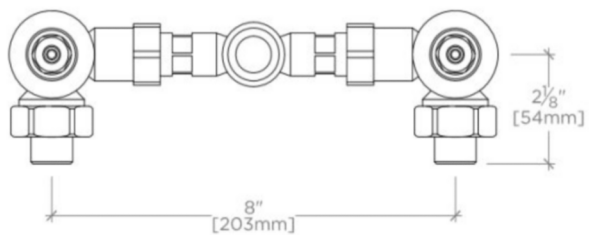
GULV25

Universal Lavatory Wall Mounted Rough Valve (Used with Lever Handle Lavatory Faucet)



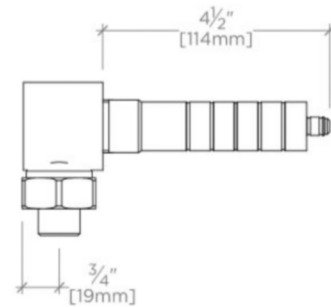
TOP VIEW

SCALE: 3"=1'-0"



FRONT VIEW

SCALE: 3"=1'-0"



SIDE VIEW

SCALE: 3"=1'-0"