

WATERWORKS

PRODUCT SUPPORT
800.927.2120
WATERWORKS.COM

ETOILE

Wall Mounted Swing Arm Paper Holder in
Chrome

STYLE No. 078193

REFERENCE No. ETPH37C

ITEM No. 22-59918-03989

SPECIFICATIONS
PAGE 1 OF 3

DESIGN

FEATURES



SHOWN IN Nickel

WATERWORKS

PRODUCT SUPPORT
800.927.2120
WATERWORKS.COM

ETOILE

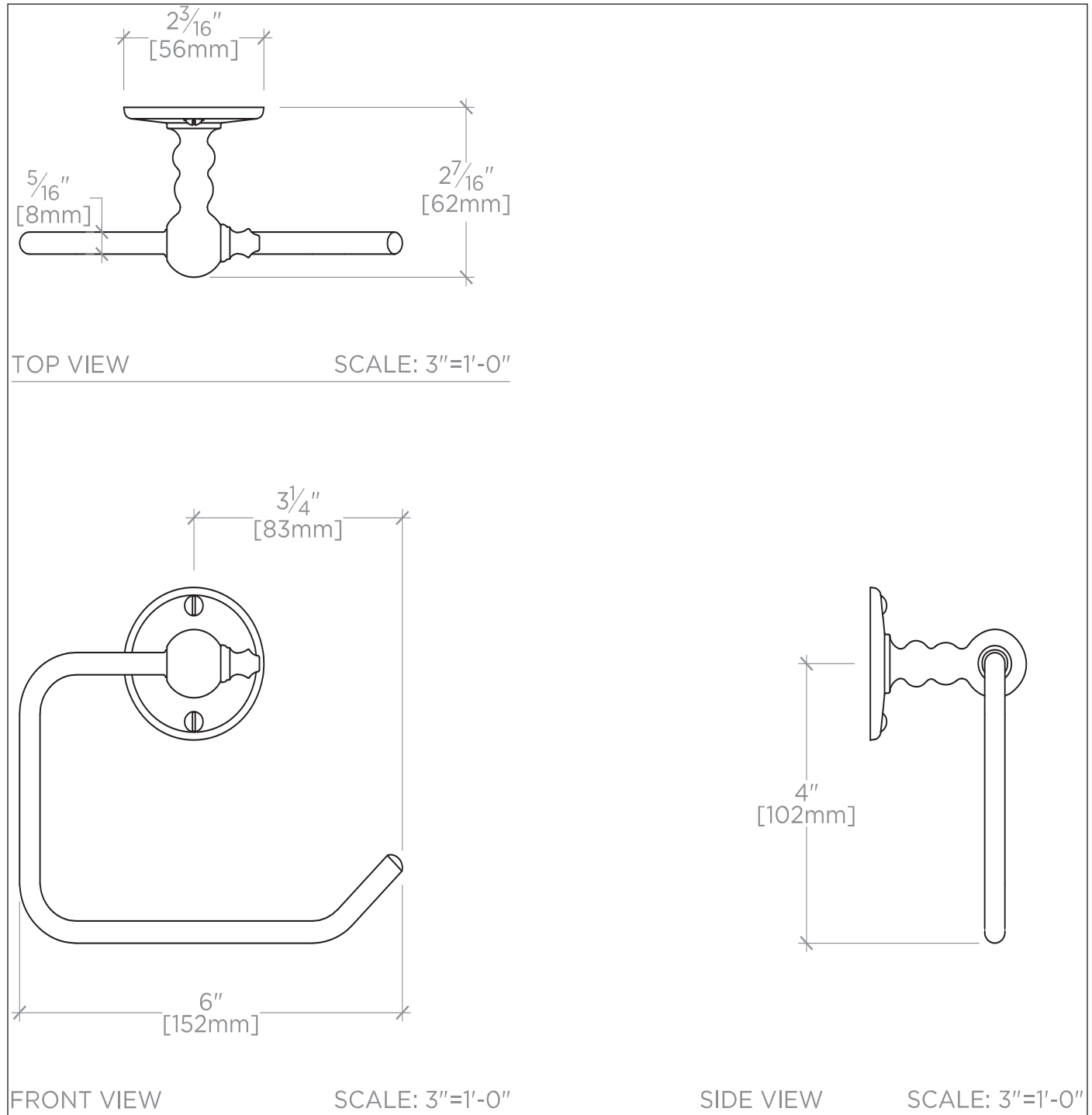
Wall Mounted Swing Arm Paper Holder in
Chrome

STYLE No. 078193
REFERENCE No. ETPH37C
ITEM No. 22-59918-03989

SPECIFICATIONS

PAGE 2 OF 3

All dimensions are based on original specifications and are subject to change and variation. Please consult your Design Associate for current specifications.



WATERWORKS

PRODUCT SUPPORT
800.927.2120
WATERWORKS.COM

ETOILE

Wall Mounted Swing Arm Paper Holder in
Chrome

STYLE No. 078193

REFERENCE No. ETPH37C

ITEM No. 22-59918-03989

SPECIFICATIONS

PAGE 3 OF 3

SPECIFICATIONS

Primary Material: Brass
Adjustable Levelers / Feet:

CARE INSTRUCTIONS

CODES AND STANDARDS