

ETOILE

ETXS59

Etoile Exposed Thermostatic System with 4 1/2" Shower Rose, Tub Filler and Handshower and White Porcelain Lever Handle



SHOWN IN ETOILE EXPOSED THERMOSTATIC SYSTEM WITH 4 1/2" SHOWER ROSE, TUB FILLER AND HANDSHOWER AND

TECHNICAL DETAILS

ADA Compliance: No
Adjustable versus Fixed Spray: Fixed Spray
Assembly / Configuration: Completely Assembled
Diameter of Head: 4 1/2"
Escutcheon Primary Material: Brass
Fittings Hole Diameter: 1 3/8"
Handle Turn Angle: Quarter Turn
Handshower / Spray Hose Length: 59"
Depth / Width: 15"
Height: 60"
Inlet Connection Size: 3/4"
Inlet Connection Type: Female NPT
Inlet Supply Spread Maximum: 10 1/4"
Inlet Supply Spread Minimum: 10 1/4"
Installation Type: Wall Mounted
Integrated Diverter: Y
Length: 15"
Number of Handles: Four
Pivot: Y
Primary Material: Brass
Restricted Maximum Flow Rate: 2.5 gpm
Suggested Application: Bath
Valve Material: Brass
Water Pressure Maximum: 85.0 psi
Water Pressure Minimum: 20.0 psi
Water Pressure Recommended: 45.0 psi

INSPIRATION

Defined elegance. Etoile has a European sophistication with a timeless sense of chic.

CODES & STANDARDS

Code # ETSV59: ASME A112.18.1 / CSA B125.1

PRODUCT FEATURES

- Built in Anti-scald protection.
- Features a swivel 4 1/2" shower rose.
- Allows bather to adjust temperature and volume of shower rose and tub filler.
- Flow rate regulated at 2.5 gallons per minute (gpm).

PRODUCT (NOTES)

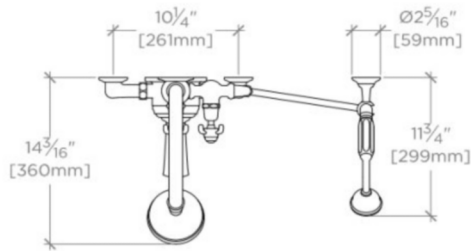
Valve Included

WATERWORKS

ETOILE

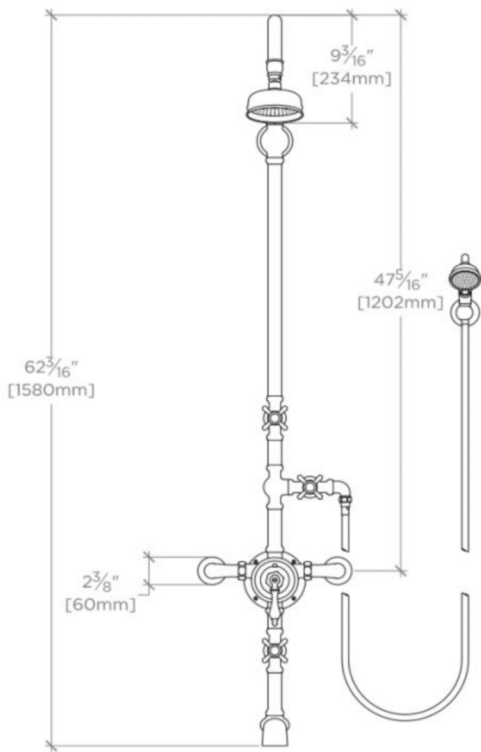
ETXS59

Etoile Exposed Thermostatic System with 4 1/2" Shower Rose, Tub Filler and Handshower and White Porcelain Lever Handle



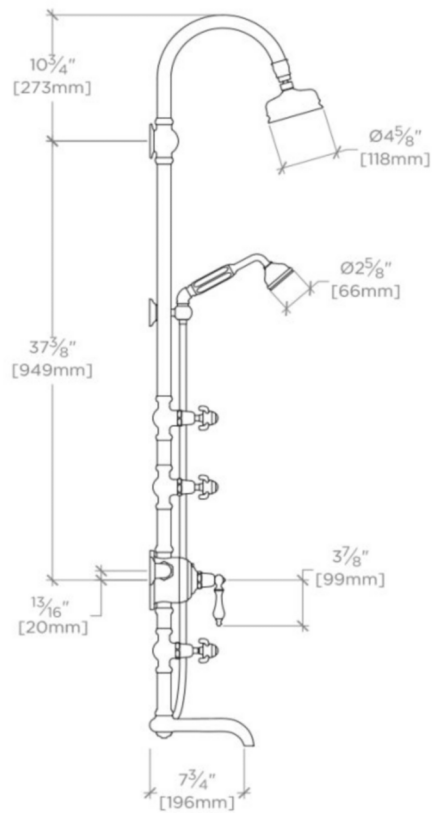
TOP VIEW

SCALE: 3/4"=1'-0"



FRONT VIEW

SCALE: 3/4"=1'-0"



SIDE VIEW

SCALE: 3/4"=1'-0"