

NORMANDY

NOLV41

Normandy Drop In or Undermount Round Hammered Copper
Lavatory Sink 13 9/16" x 13 9/16" x 6 1/2"



TECHNICAL DETAILS

ADA Compliance: When installed per ADA guidelines
Bowl Shape: Round
Depth / Width: 344 mm
Height: 165 mm
Installation Type: Drop In or Undermount
Length: 344 mm
Number of Holes: Two Hole
Outer Rim Shape: Round
Primary Material: Hammered Copper
Suggested Application: Bath

INSPIRATION

Like the antique French copper cookware that inspired them, our Normandy sinks lend a special warmth and richness to any environment. Each pure red copper design is hammered and polished by hand according to the old French tradition.

CODES & STANDARDS

Code # NOLV41:

PRODUCT FEATURES

Handcrafted in France from sheets of copper and formed in individual molds.
The Normandy sinks are finished with a burnishing hammer and polished by hand.
Suitable for master baths and powder rooms.

PRODUCT (NOTES)

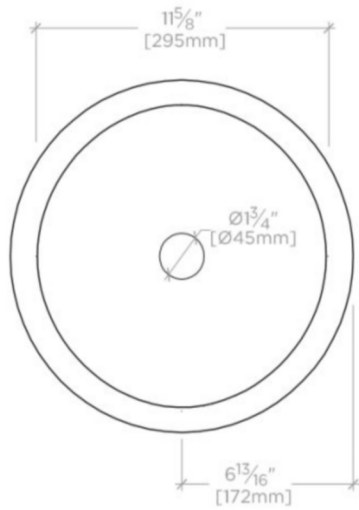
Dimensions of sinks are nominal and are subject to slight variations.

WATERWORKS

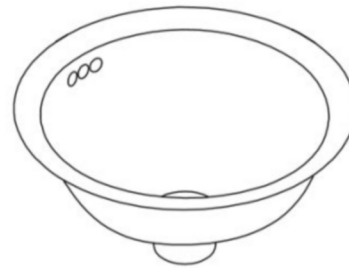
NORMANDY

NOLV41

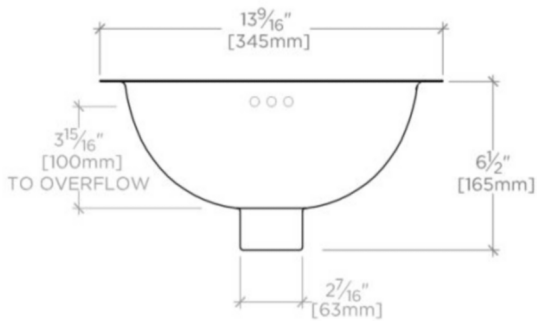
Normandy Drop In or Undermount Round Hammered Copper Lavatory Sink 13 9/16" x 13 9/16" x 6 1/2"



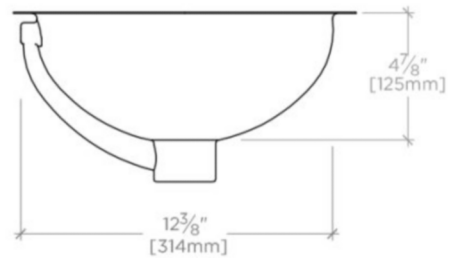
TOP VIEW SCALE: 1/2"=1'-0"



ISO VIEW SCALE: 1/2"=1'-0"



FRONT VIEW SCALE: 1/2"=1'-0"



SIDE VIEW SCALE: 1/2"=1'-0"