

R.W. ATLAS

RW01SH

R.W. Atlas 8 1/2" Shower Head, Arm and Flange



SHOWN IN R.W. ATLAS 8 1/2" SHOWER HEAD, ARM AND FLANGE| RWSH01

TECHNICAL DETAILS

ADA Compliance: When installed per ADA guidelines
Adjustable versus Fixed Spray: Fixed Spray
Diameter of Head: 216 mm
Escutcheon Primary Material: Brass
Fittings Hole Diameter: 32 mm
Flow Restriction Options: 2.0
Depth / Width: 460 mm
Height: 197 mm
Inlet Connection Size: 1/2"
Inlet Connection Type: Male G/BSPP
Installation Type: Wall Mounted
Integrated Diverter: N
Integrated Spray: N
Length: 217 mm
Pivot: N
Primary Material: Brass
Restricted Maximum Flow Rate: 9.5 liters/min
Spout Swivel: N
Spray Included in Unit: N
Suggested Application: Bath
Water Pressure Maximum: 5.5 bar
Water Pressure Minimum: 1.5 bar
Water Pressure Recommended: 3.0 bar

INSPIRATION

Powerful shapes, genuine materials and unique aesthetic details. The original, impeccable vision of R.W. Atlas pairs American ingenuity with European craftsmanship.

PRODUCT FEATURES

Features flat round 8" shower head.

Exposed slotted screws around shower head offer added design detail.

Brass face plate with rubber nozzles .

Standard flow rate is 2.5gpm (9.5 L/min). Also available in high efficiency flow options. Contact your sales associate or call 1 (800) 899-6757 for details.

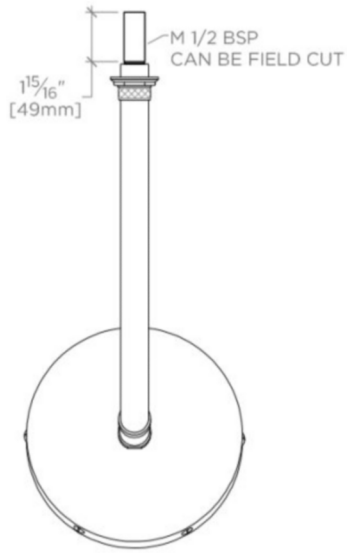
WATERWORKS

R.W. ATLAS

RW01SH

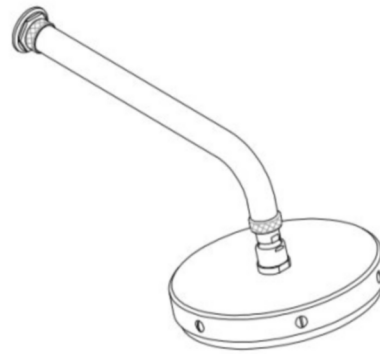
R.W. Atlas 8 1/2" Shower Head, Arm and Flange

ADAPTER(S) PACKAGED SEPARATELY		
ADAPTER	DESCRIPTION	QTY
UNUK04	1/2" NPT Male x 1/2" Male Nipple 50mm Long BSP	1



TOP VIEW

SCALE: 1/2"=1'-0"



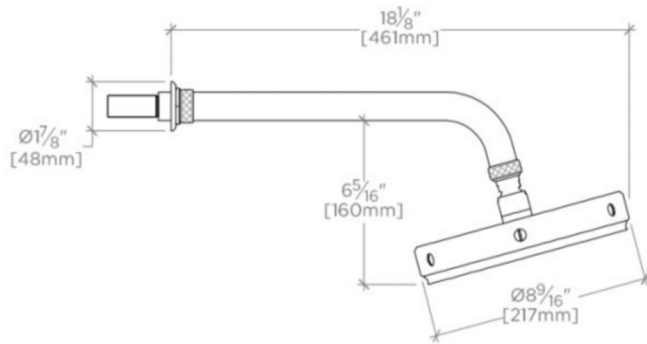
ISO VIEW

SCALE: 1/2"=1'-0"



FRONT VIEW

SCALE: 1/2"=1'-0"



SIDE VIEW

SCALE: 1/2"=1'-0"