

## EASTON

## EAKM31

Easton Classic Two Hole Bridge Kitchen Faucet, Metal Cross Handles and White Porcelain Spray



SHOWN IN EASTON CLASSIC TWO HOLE BRIDGE KITCHEN FAUCET, METAL CROSS HANDLES AND WHITE PORCELAIN SPRAY

### TECHNICAL DETAILS

Deck Thickness Maximum: 32 mm  
Deck Thickness Minimum: 6 mm  
Fittings Hole Diameter: 35 mm  
Handle Spread Maximum: 200 mm  
Handle Spread Minimum: 200 mm  
Handle Turn Angle: Quarter Turn  
Handshower / Spray Hose Length: 1.2 m  
Depth / Width: 295 mm  
Height: 395 mm  
Inlet Connection Size: 1/2"  
Inlet Connection Type: Male  
Inlet Supply Spread Maximum: 200 mm  
Inlet Supply Spread Minimum: 200 mm  
Integrated Diverter: Y  
Primary Material: Brass  
Restricted Maximum Flow Rate: 8.3 liters/min  
Spout Reach: 9 13/16"  
Spout Swivel: Y  
Spray Included in Unit: Y  
Suggested Application: Bar, Kitchen, Laundry  
Valve Material: Ceramic  
Water Pressure Maximum: 6.0 bar  
Water Pressure Minimum: 1.5 bar  
Water Pressure Recommended: 3.0 bar

### INSPIRATION

Drawing on Edwardian style, Easton is the most extensive Waterworks family; a range of moods and a selection of products from fittings to furniture.

### CODES & STANDARDS

Code # EAKM31: CEC

### PRODUCT FEATURES

Built-in automatic diverter for spray operation.

Quarter turn ceramic cartridge

Hot and/or Cold Mix for the Sidespray. Does not require separate valve control for sprayer  
Available in all Easton handles - cross, metal lever, white porcelain lever, black porcelain lever, and oak lever

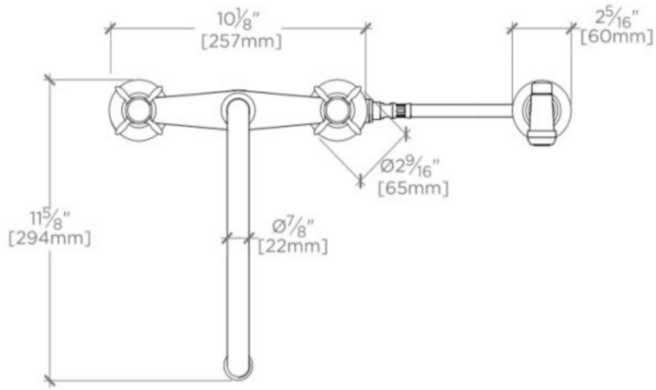
Standard flow rate is 2.2gpm (8.3 L/min) and State of California requires a maximum of 1.8gpm(6.8 L/min). Also available in other flow options. Contact a sales associate for details.

# WATERWORKS

## EASTON

## EAKM31

Easton Classic Two Hole Bridge Kitchen Faucet, Metal Cross Handles and White Porcelain Spray



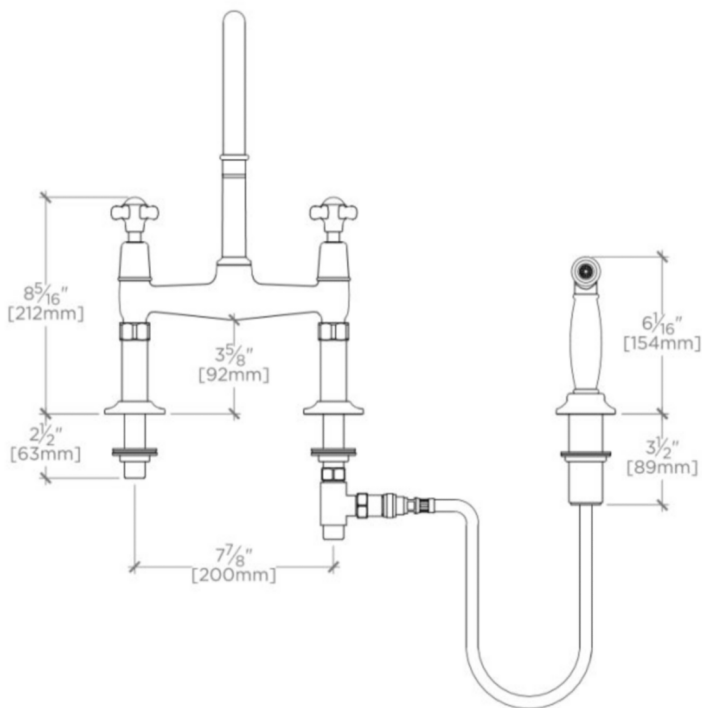
TOP VIEW

SCALE:  $1\frac{1}{2}"=1'-0"$



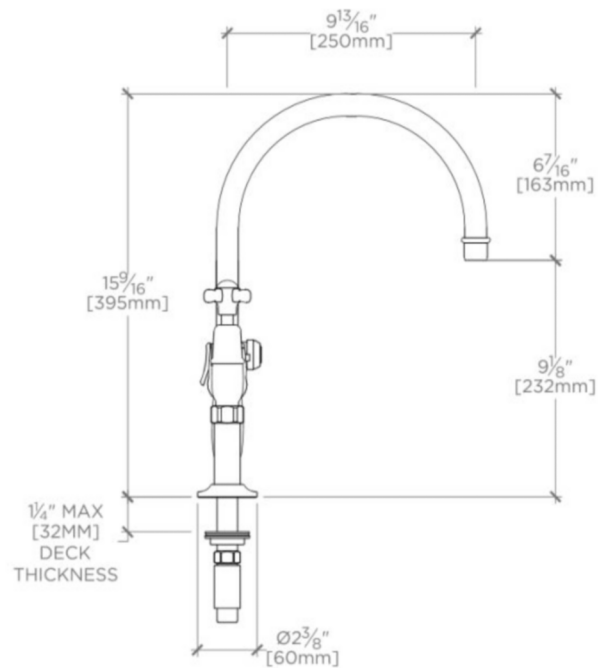
ISO VIEW

SCALE:  $1\frac{1}{2}"=1'-0"$



FRONT VIEW

SCALE:  $1\frac{1}{2}"=1'-0"$



SIDE VIEW

SCALE:  $1\frac{1}{2}"=1'-0"$