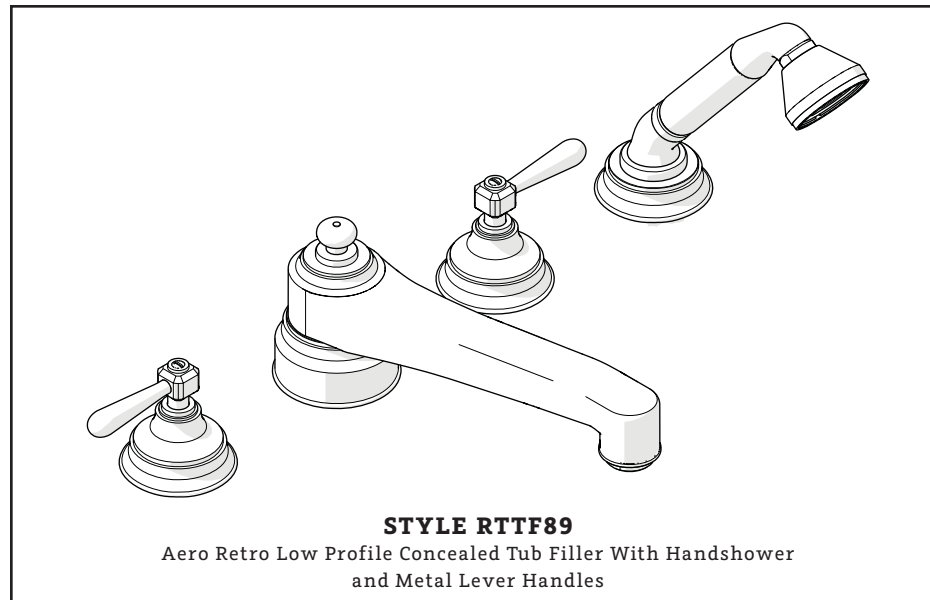
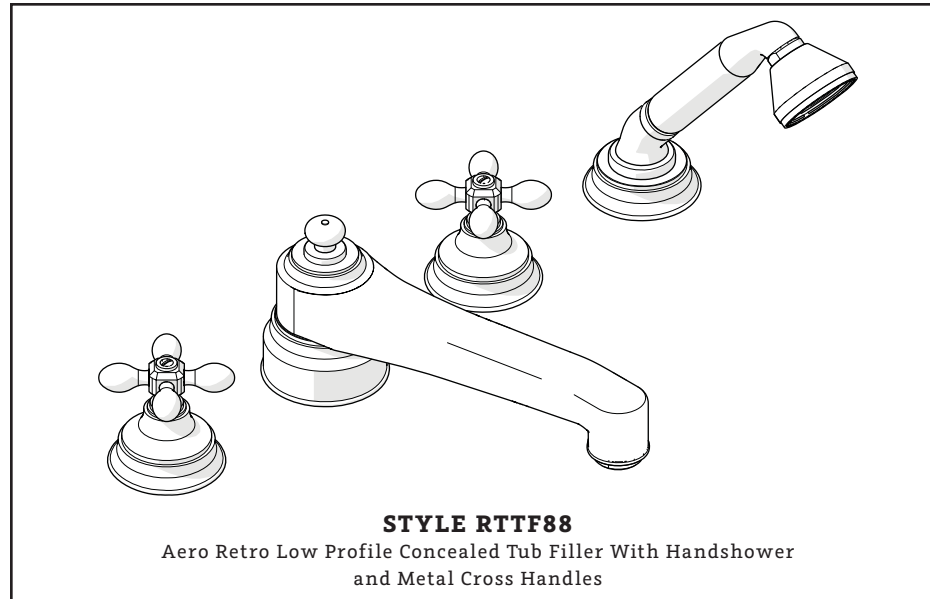




ESTB. 1978

# WATERWORKS SERVICE PARTS



---

WELCOME TO

# WATERWORKS

For over three decades, Waterworks has transformed the bath through an absolute commitment to design authenticity, innovation and quality. A blend of scholarly appreciation and applied experience guarantees mechanical integrity, meticulous craftsmanship, and timeless designs.

---

**TO ORDER PARTS CALL  
1 (800) 927-2120 (EXT 2)**

Order by part number and specify color, finish, or other options if required.

**PRODUCT SUPPORT**

Our Product Support team provides troubleshooting and technical problem resolution, including replacement parts and installation recommendations throughout the life of your product.

Product Support is available Monday through Friday, 8AM-6PM EST.

**LIMITED LIFETIME  
WARRANTY**

Our warranty covers repair and replacement of Waterworks products if within the applicable coverage period and deemed defective by Waterworks. Waterworks will, at its option, repair or replace such products; this does not include installation costs, labor charges, or other incidental or consequential costs.

To obtain your complete warranty or inquire about warranty service, please visit us at [www.waterworks.com](http://www.waterworks.com) or contact our Product Support Team.



ESTB. 1978

WATERWORKS

### MAIN KITS

**103486\***  
SPOUT

**103467\***  
CROSS HANDLE

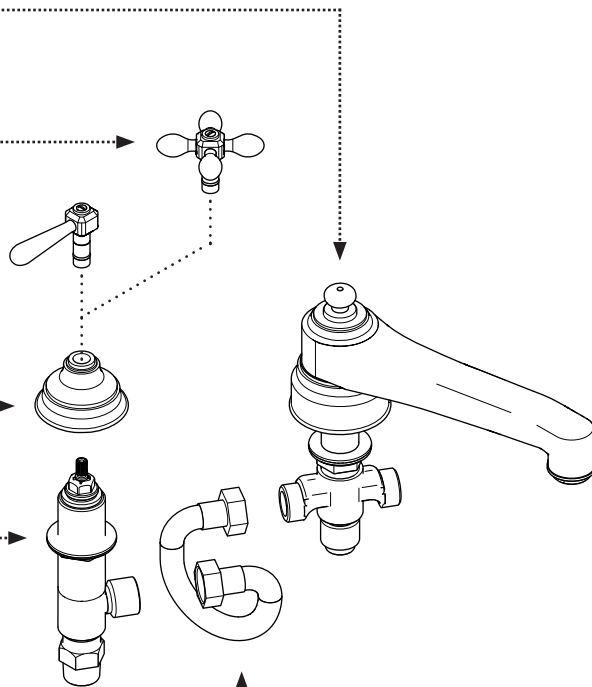
**103485\***  
LEVER HANDLE

**103469\***  
ESCUTCHEON

**103490**  
COUNTERCLOCKWISE  
ON SIDEBODY

**103492**  
HOSE

STYLES: RTTF88, RTTF89



\*FINISH/COLOR MUST BE SPECIFIED WHEN ORDERING  
++SUPPLIED AS A PAIR

**103467\***  
CROSS HANDLE

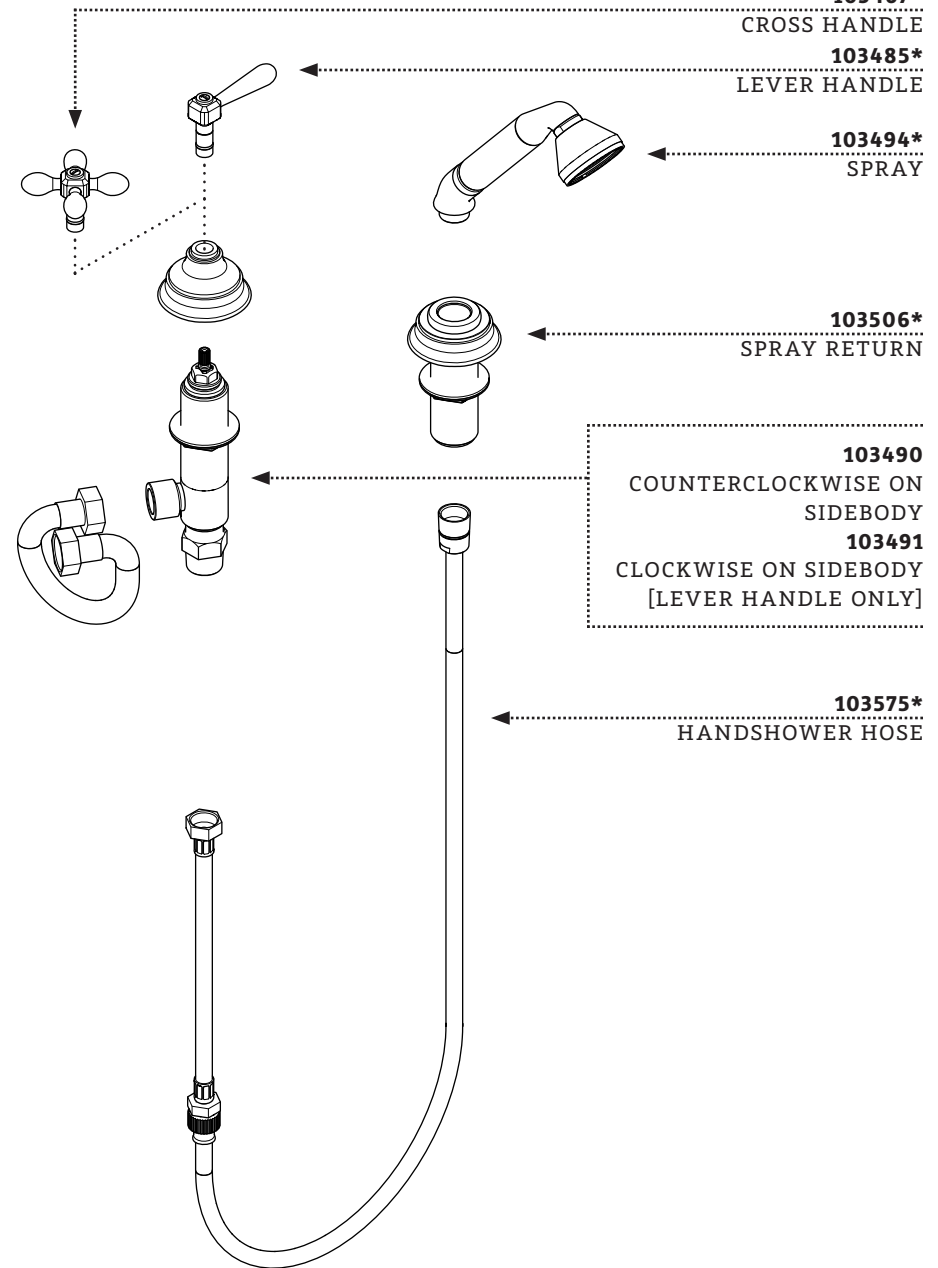
**103485\***  
LEVER HANDLE

**103494\***  
SPRAY

**103506\***  
SPRAY RETURN

**103490**  
COUNTERCLOCKWISE ON  
SIDEBODY  
**103491**  
CLOCKWISE ON SIDEBODY  
[LEVER HANDLE ONLY]

**103575\***  
HANDSHOWER HOSE



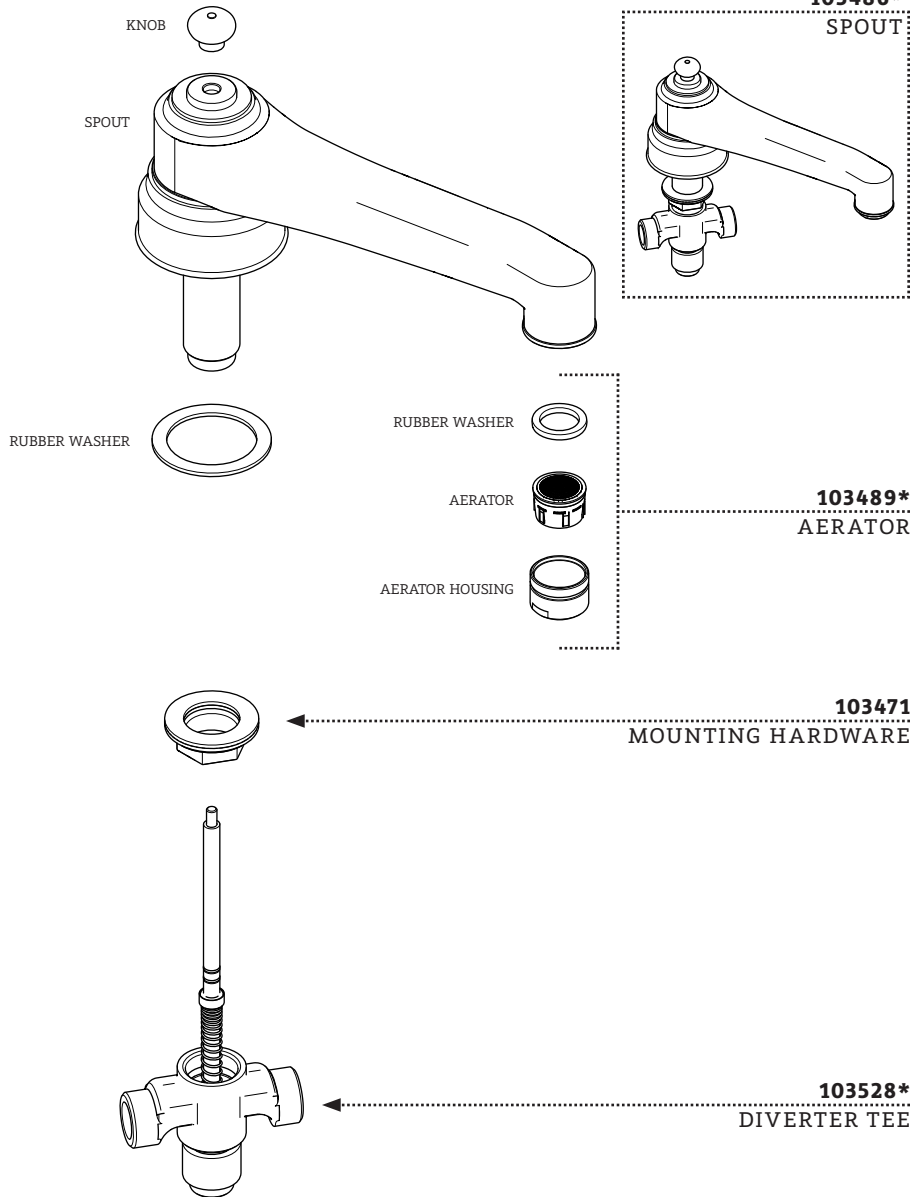


ESTB. 1978

WATERWORKS

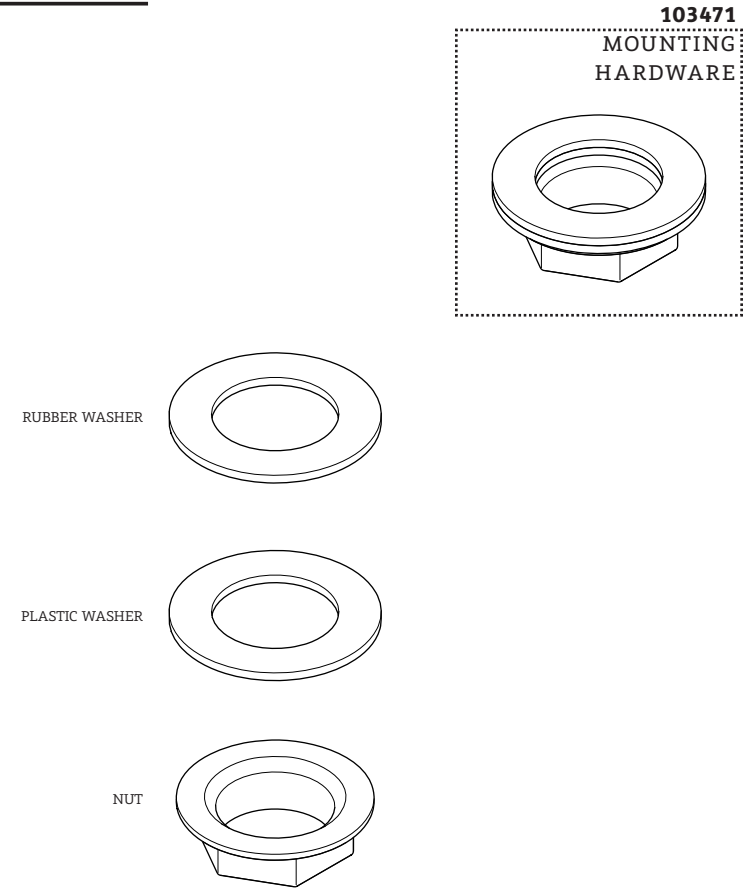
### KIT COMPONENTS

STYLES: RTTF88, RTTF89



\*FINISH/COLOR MUST BE SPECIFIED WHEN ORDERING  
++SUPPLIED AS A PAIR

### KIT COMPONENTS



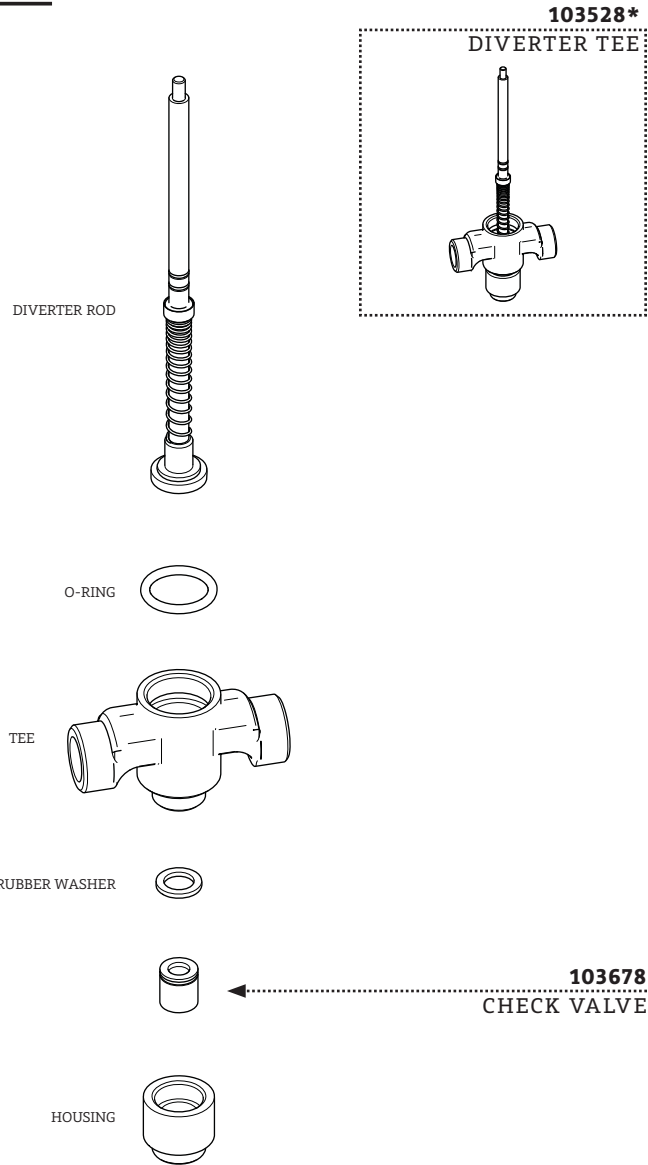


ESTB. 1978

WATERWORKS

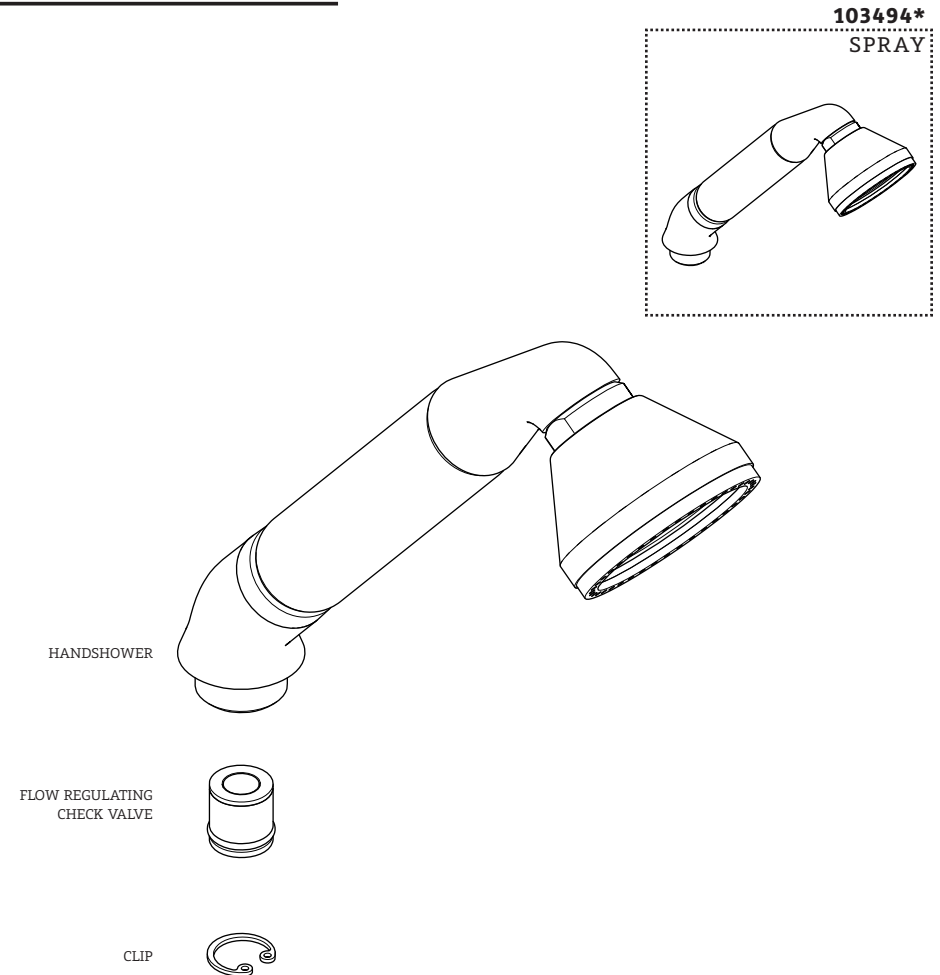
### KIT COMPONENTS

STYLES: RTTF88, RTTF89



\*FINISH/COLOR MUST BE SPECIFIED WHEN ORDERING  
++SUPPLIED AS A PAIR

### KIT COMPONENTS

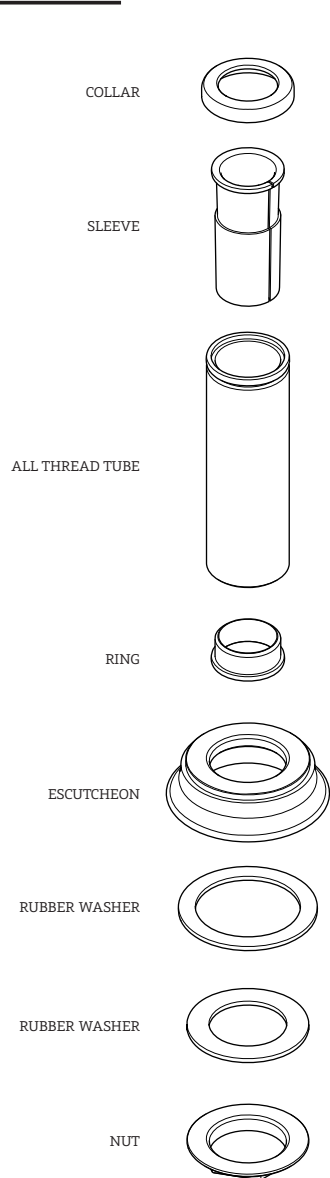




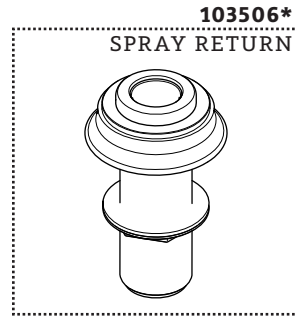
ESTB. 1978

WATERWORKS

### KIT COMPONENTS

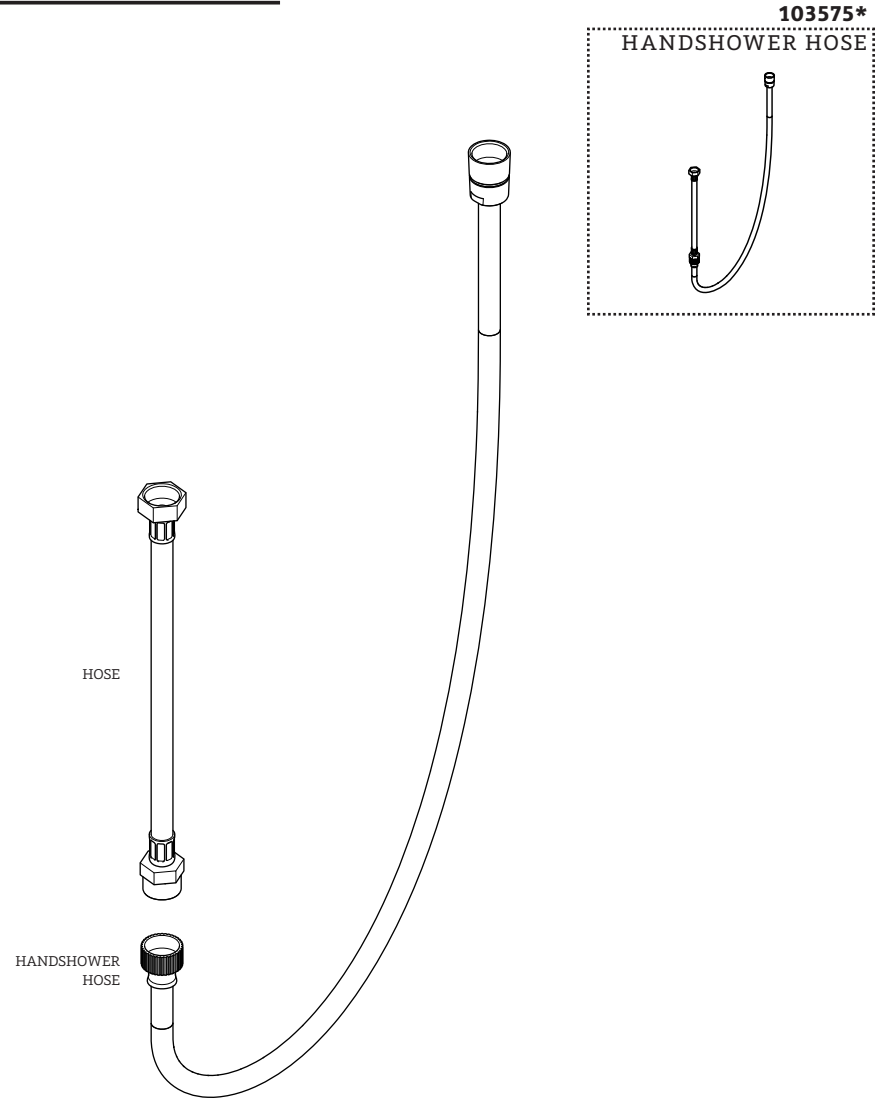


STYLES: RTTF88, RTTF89



\*FINISH/COLOR MUST BE SPECIFIED WHEN ORDERING  
++SUPPLIED AS A PAIR

### KIT COMPONENTS





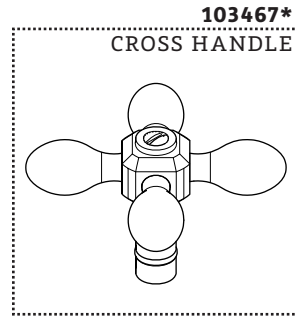
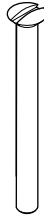
ESTB. 1978

WATERWORKS

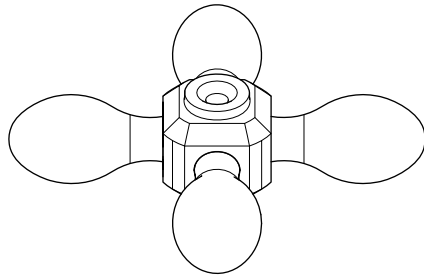
### KIT COMPONENTS

STYLES: RTTF88, RTTF89

103468\*  
HANDLE SCREW



HANDLE



STEM



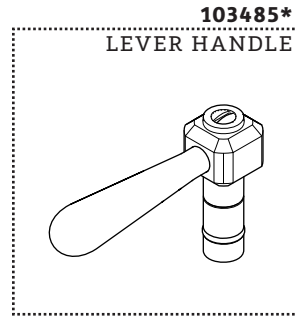
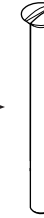
O-RING



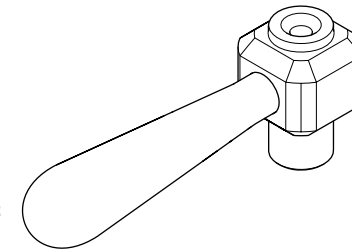
\*FINISH/COLOR MUST BE SPECIFIED WHEN ORDERING  
++SUPPLIED AS A PAIR

### KIT COMPONENTS

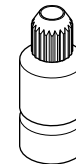
103468\*  
HANDLE SCREW



HANDLE



STEM



O-RING





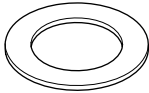
ESTB. 1978

WATERWORKS

### KIT COMPONENTS

STYLES: RTTF88, RTTF89

RUBBER WASHER

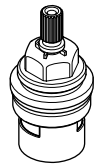
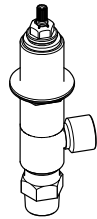


NUT



**103490**

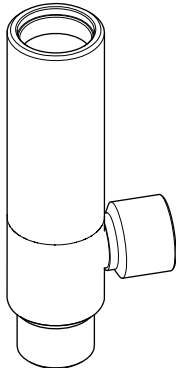
COUNTERCLOCKWISE  
ON SIDEBODY



**718517**

COUNTERCLOCKWISE  
ON CARTRIDGE

SIDE BODY



RUBBER WASHER



ADAPTER



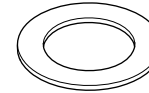
**028711**

3/4" ADAPTER

\*FINISH/COLOR MUST BE SPECIFIED WHEN ORDERING  
++SUPPLIED AS A PAIR

### KIT COMPONENTS

RUBBER WASHER

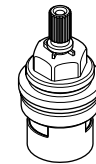
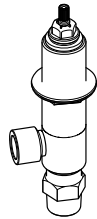


NUT



**103491**

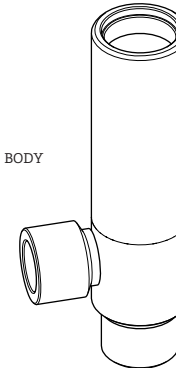
CLOCKWISE ON  
SIDEBODY



**180216**

CLOCKWISE ON  
CARTRIDGE

SIDE BODY



RUBBER WASHER



ADAPTER



**028711**

3/4" ADAPTER





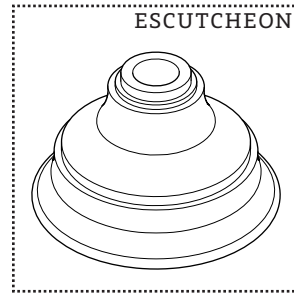
ESTB. 1978

WATERWORKS

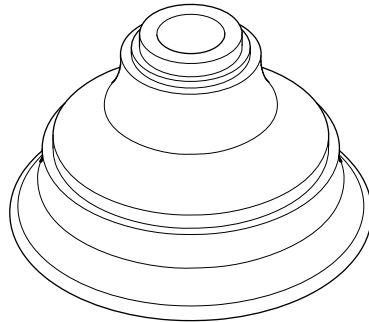
**KIT COMPONENTS**

**STYLES: RTTF88, RTTF89**

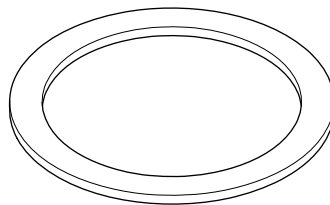
**103469\***



ESCUTCHEON



RUBBER WASHER



\*FINISH/COLOR MUST BE SPECIFIED WHEN ORDERING  
++SUPPLIED AS A PAIR

**SERVICE PARTS INDEX**

<u>STYLE</u>	<u>DESCRIPTION</u>	<u>PG</u>
028711	3/4" ADAPTER	13
103489*	AERATOR	4
103678	CHECK VALVE	6
180216	CLOCKWISE ON CARTRIDGE	13
103491	CLOCKWISE ON SIDEBODY	13
718517	COUNTERCLOCKWISE ON CARTRIDGE	12
103490	COUNTERCLOCKWISE ON SIDEBODY	12
103467*	CROSS HANDLE	10
103528*	DIVERTER TEE	6
103469*	ESCUTCHEON	14
103468*	HANDLE SCREW	11
103575*	HANDSHOWER HOSE	9
103492	HOSE	2
103485*	LEVER HANDLE	11
103471	MOUNTING HARDWARE	5
103486*	SPOUT	4
103494*	SPRAY	7
103506*	SPRAY RETURN	8

DOCUMENT: SPRT08\_REV01



ESTB. 1978

WATERWORKS

**NOTES**

**STYLES: RTTF88, RTTF89**

\*FINISH/COLOR MUST BE SPECIFIED WHEN ORDERING  
++SUPPLIED AS A PAIR

**NOTES**



ESTB. 1978

WATERWORKS

**PRODUCT SUPPORT**

60 BACKUS AVENUE

DANBURY, CT 06810

1 (800) 927-2120 (EXT 2)

[WWW.WATERWORKS.COM](http://WWW.WATERWORKS.COM)