

## WATERWORKS

PRODUCT SUPPORT  
800.927.2120  
WATERWORKS.COM

# UNIVERSAL

2 ½" Shower Head, Arm and Flange with  
Adjustable Spray in Chrome

**STYLE No.** UNSH72

**REFERENCE No.** WWSH72C

**ITEM No.** 05-51765-03940

**SPECIFICATIONS**  
PAGE 1 OF 3

### DESIGN

Our Universal collection features timeless designs complementing any of our Waterworks or Waterworks Studio families. With a wide range of product, from fittings to accessories, Universal adds exquisite proportion and balance to any environment.

### FEATURES

Add elegant utility and a gently refreshing rainfall effect to your daily ritual with an exquisitely proportioned Universal showerhead

This item is stocked in a Chrome, Nickel or Matte Nickel finishes and additional made-to-order finish options are available in 12 weeks from purchase

Features a swivel 2-½" showerhead with rubber nozzles

Flow rate regulated at 2.5 gallons per minute (gpm)



SHOWN IN Nickel

# WATERWORKS

PRODUCT SUPPORT  
800.927.2120  
WATERWORKS.COM

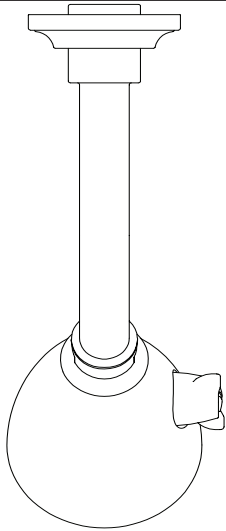
# UNIVERSAL

2 1/2" Shower Head, Arm and Flange with  
Adjustable Spray in Chrome

**STYLE No.** UNSH72  
**REFERENCE No.** WWSH72C  
**ITEM No.** 05-51765-03940

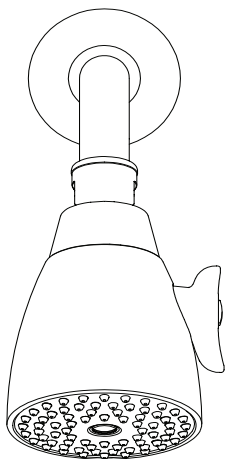
## SPECIFICATIONS PAGE 2 OF 3

*All dimensions are based on original specifications and are subject to change and variation. Please consult your Design Associate for current specifications.*



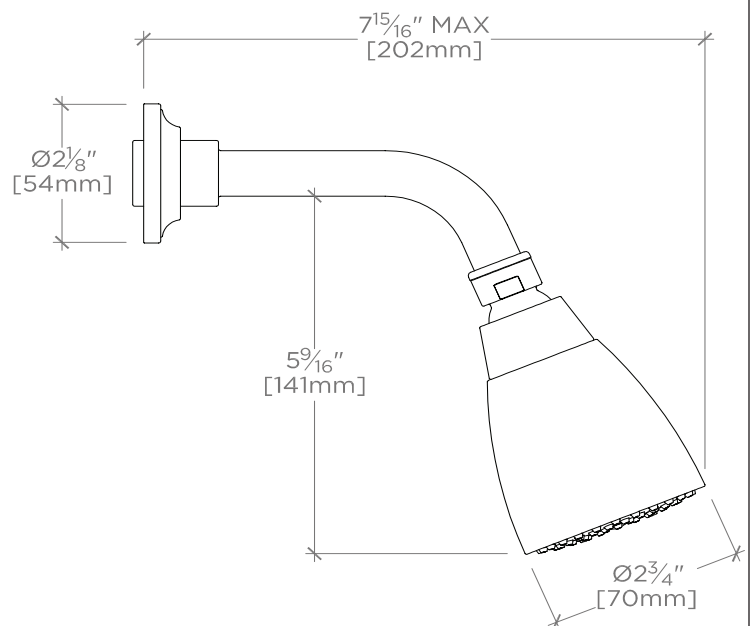
TOP VIEW

SCALE: 3"=1'-0"



FRONT VIEW

SCALE: 3"=1'-0"



SIDE VIEW

SCALE: 3"=1'-0"

## WATERWORKS

PRODUCT SUPPORT  
800.927.2120  
WATERWORKS.COM

# UNIVERSAL

2 ½" Shower Head, Arm and Flange with  
Adjustable Spray in Chrome

**STYLE No.** UNSH72

**REFERENCE No.** WWSH72C

**ITEM No.** 05-51765-03940

## SPECIFICATIONS

PAGE 3 OF 3

### SPECIFICATIONS

Primary Material: Brass  
Inlet Connection Size: ½"  
Inlet Connection Type: Female NPT  
Maximum Water Pressure:  
Minimum Water Pressure: 25 psi  
Fittings Hole Diameter: 1 ⅛"  
Recommended Water Pressure: 45 psi  
Restricted Maximum Flow Rate: 2.5 gpm

### CARE INSTRUCTIONS

To clean the finish, wipe gently with a soft damp cloth and then with a soft dry towel. A mild soap solution can be used for daily cleaning.

### CODES AND STANDARDS

ASME A112.18.1 / CSA B125.1, IAPMO, State of MA

### FLOW RATE CURVE

### REQUIRED PLUMBING DETAILS

Below is a list of choices that must be made to complete your lavatory faucet.