

CRYSTAL

CRMR68

Crystal Freestanding Large 7 1/4" dia. Magnifying Mirror



SHOWN IN CRYSTAL FREESTANDING LARGE 7 1/4" DIA. MAGNIFYING MIRROR| CRMR68

TECHNICAL DETAILS

Depth / Width: 129 mm
Height: 495 mm
Length: 219 mm
Primary Material: Brass
Suggested Application: Bath

INSPIRATION

Comprehensive and universal, the classic design of Crystal is appropriate to partner with any line of fittings and fixtures from modern to traditional. The weight and quality of these handcrafted pieces is unsurpassed.

PRODUCT FEATURES

7 1/4" Diameter
Adjustable Stand
Made from Brass
Chrome, Matte Nickel & Nickel Finishes

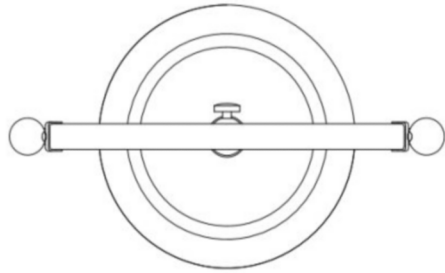
PRODUCT (NOTES)

Double sided mirror. 3x magnification on one side; 1x magnification on the other

CRYSTAL

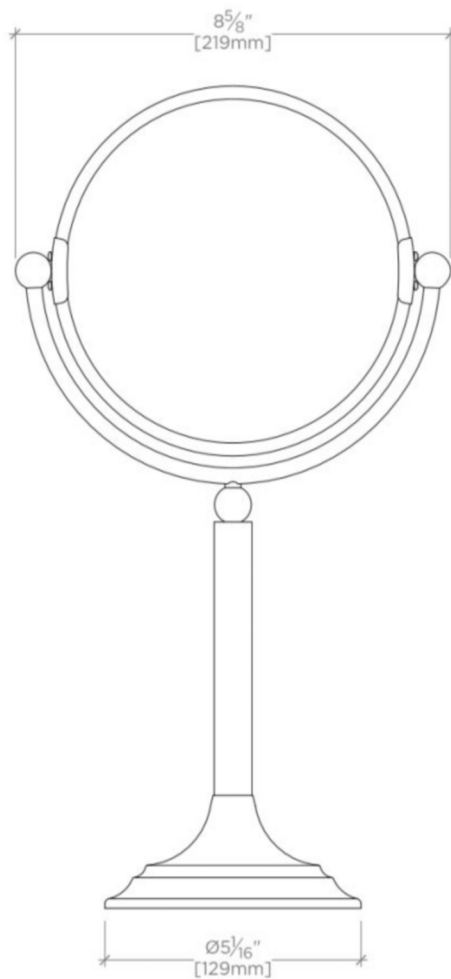
CRMR68

Crystal Freestanding Large 7 1/4" dia. Magnifying Mirror



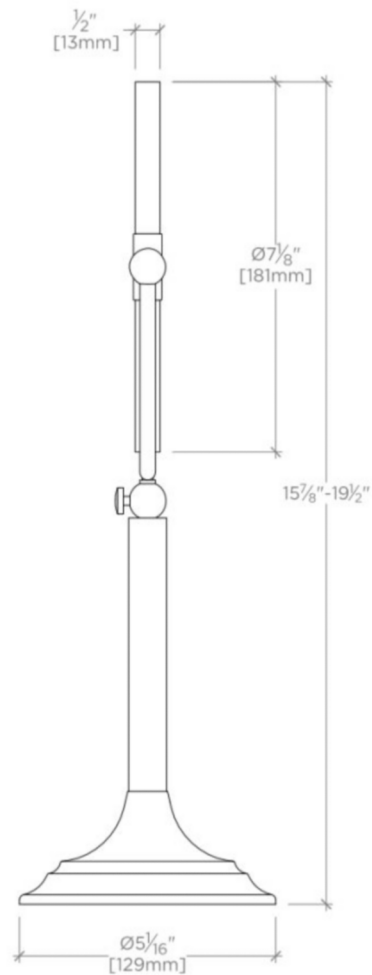
TOP VIEW

SCALE: 3"=1'-0"



FRONT VIEW

SCALE: 3"=1'-0"



SIDE VIEW

SCALE: 3"=1'-0"