

.25

PT35KM

.25 One Hole High Profile Bar Faucet, Short Metal Handle



SHOWN IN .25 ONE HOLE HIGH PROFILE BAR FAUCET, SHORT METAL HANDLE| PTKM35

## TECHNICAL DETAILS

Deck Thickness Maximum: 35 mm  
Deck Thickness Minimum: 6 mm  
Escutcheon Primary Material: Brass  
Fittings Hole Diameter: 38 mm  
Flow Restriction Options: 2.2, 1.5  
Handle Turn Angle: Quarter Turn Each Way  
Depth / Width: 213 mm  
Height: 229 mm  
Inlet Connection Size: 3/8"  
Inlet Connection Type: Compression Connection Adapters  
Integrated Diverter: N  
Integrated Spray: N  
Length: 60 mm  
Number of Holes: One Hole  
Restricted Maximum Flow Rate: 8.3 liters/min  
Spout Swivel: N  
Spray Included in Unit: N  
Suggested Application: Bar, Kitchen, Laundry  
Valve Material: Ceramic  
Water Pressure Maximum: 6.0 bar  
Water Pressure Minimum: 1.5 bar  
Water Pressure Recommended: 3.0 bar

## INSPIRATION

.25 is the ultimate in utilitarian elegance: A simple and understated design that is equally functional and beautiful.

## PRODUCT FEATURES

Single Handle Control

Ceramic cartridge provides durability and long life

Pull Handle for volume adjustments and rotate left for hot and right for cold

Standard flow rate is 2.2gpm (8.3 L/min). Also available in high efficiency flow options. Contact your sales associate or call 1 (800) 899-6757 for details.

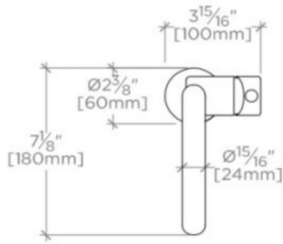
**.25**

**PT35KM**

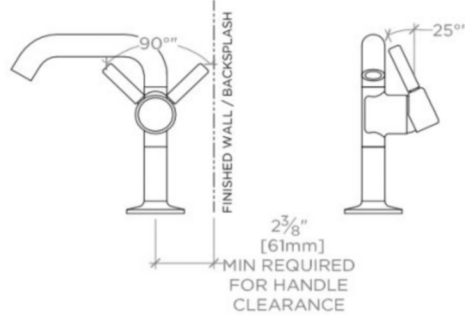
**.25 One Hole High Profile Bar Faucet, Short Metal Handle**

ADAPTER(S) PACKAGED SEPARATELY		
ADAPTER	DESCRIPTION	QTY
UNUK08	9/16"-24 UNEF Male x 3/8" Female BSP in Nickel	2

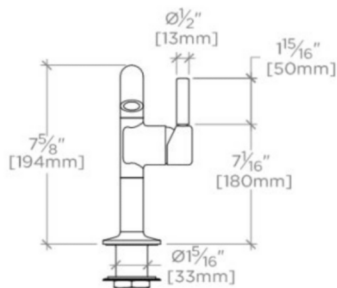
NOTE: HANDLE CAN BE INSTALLED ON EITHER SIDE OF SPOUT



TOP VIEW SCALE: 1/2"=1'-0"

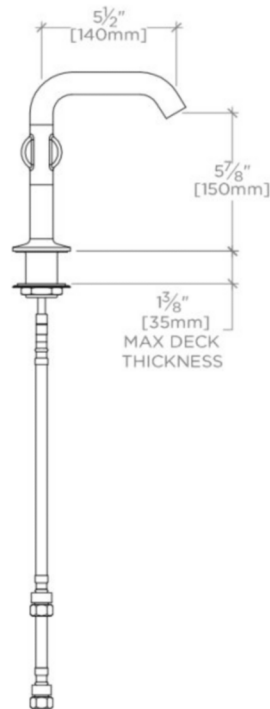


HANDLE OPERATION



F 3/8 BSP (2X)

FRONT VIEW SCALE: 1/2"=1'-0"



SIDE VIEW SCALE: 1/2"=1'-0"