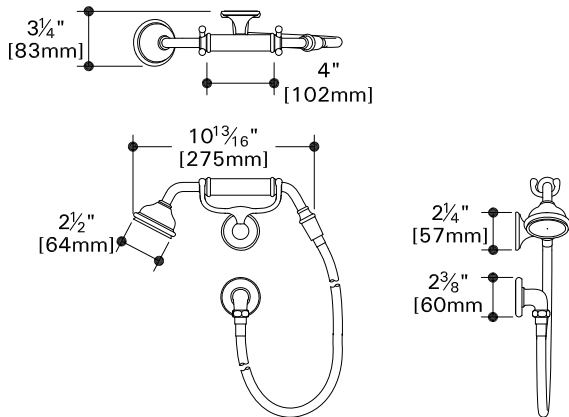


**OMHS01****IMPORTANT:**

- To ensure this product is installed properly, you must read and follow these guidelines.
- The owner/user of this product must keep this information for future reference.
- Be sure your installation conforms to federal, state, and local codes. Anti-scald protection is the responsibility of the installer and according to applicable codes.
- This product must be installed by a professional licensed contractor.
- A wall valve (sold separately) controls on/off/volume and must be installed for proper operation of this product.
- Refer to the specification and assembly drawings attached. This product is sold partially assembled but shown fully disassembled for illustrative and service purposes only.
- Inspect this product to assure you have all parts required for proper installation.
- Use only a strap wrench or protected/smooth-jaw wrench on any finished surfaces.

**ROUGH IN:**

1. Install a wall valve (sold separately) at the desired location. Make sure the rough-in accommodates the 1/2" female NPT handshower elbow (6).
2. Finish the rough in by installing a well supported elbow and nipple of the proper dimensions.

3. Determine the ideal location of the hook (10) based on the clients preferences and install blocking to properly secure the cradle.

**ELBOW INSTALLATION:**

4. Apply pipe thread compound to the male nipple on the supply line, slide the escutcheon (7) against the wall, making sure the rubber washer (8) is between the escutcheon and the wall. Thread on the handshower elbow (6). If desired, a bead of caulk or silicone may be applied where the escutcheon contacts the wall.

5. Turn on wall valve to flush out the handshower supply line.

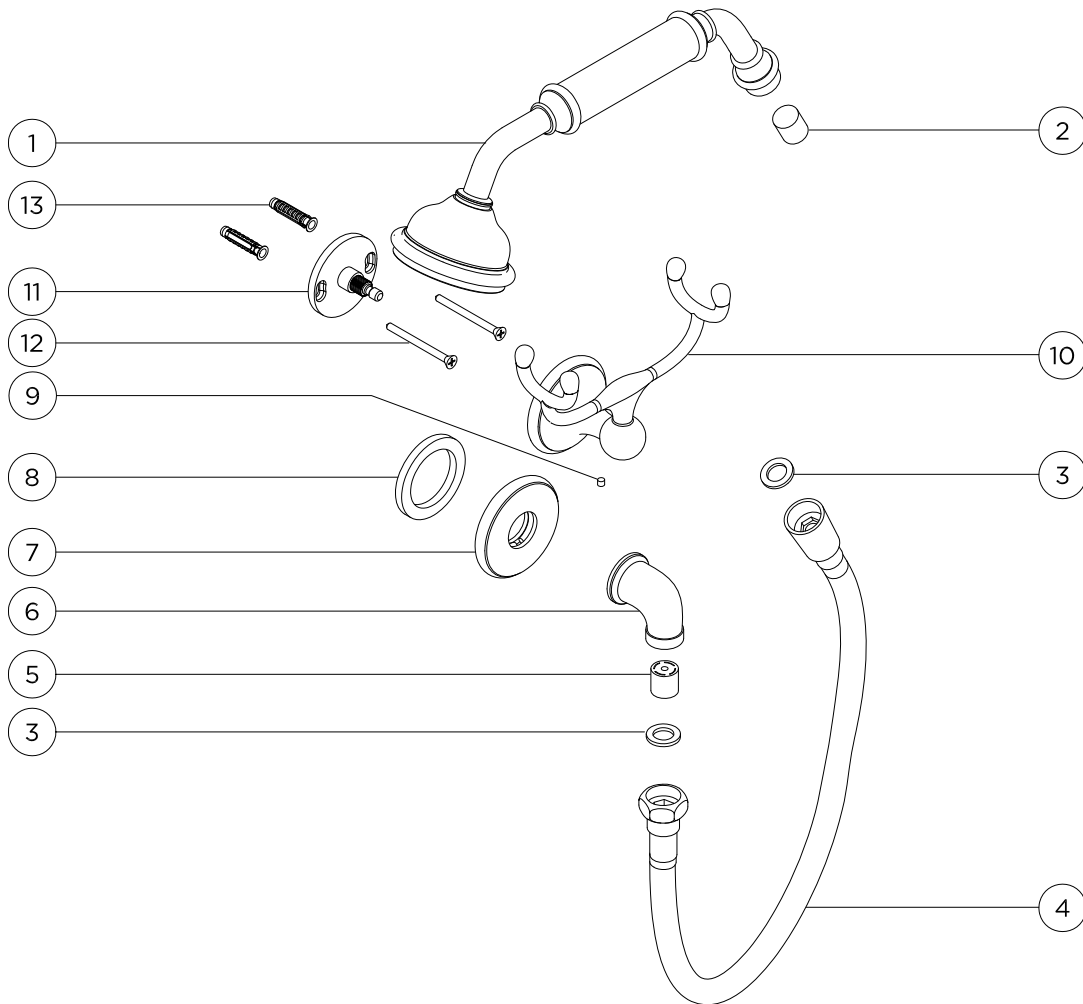
**HOOK INSTALLATION:**

6. Using a 2mm hex wrench, loosen the set screw (9) and remove the mounting plate (11) from the handshower hook (10).
7. Determine the ideal location for the hook and then drill 2 holes to accommodate the mounting hardware provided.
8. Position the mounting plate (11) with the flat side facing the wall and then secure it using the 2 anchors (13) and screws (12) provided.
9. Position the hook against the mounting plate making sure the hook is facing up and the 2mm set screw is located at 6 o'clock as shown and then tighten the set screw.
10. Thread the hex nut end of the hose (4) onto the supply elbow (6) then thread the conical end onto the handshower (1) making sure a washer (3) is included at both connection points. Note a flow restricting check valve (2) is located on the inlet of the handshower and a check valve (5) on the outlet of the supply elbow.
11. Turn on the wall valve and check for leaks.

If further assistance is required, please contact Product Support at 1-800-927-2120 (8am-7pm EST).

These guidelines have been prepared for the professional contractor to aid in the installation of: OLYMPIA HANDSHOWER on HOOK (OMHS01)  
All dimensions are based on original specification and are subject to change and variation.  
Please consult your Design Associate for current specifications.

**WATERWORKS**



PART NUMBER	DESCRIPTION	QTY.
1	Handshower Assembly, Olympia	1
2	Flow Restricting Check Valve	1
3	Washer, 11.6mm ID x 18mm OD x 2mm Thickness, Rubber	2
4	Hose, Handshower, 1.5m Length, Olympia	1
5	Check Valve	1
6	Inlet Elbow, Olympia	1
7	Escutcheon, Olympia	1
8	Washer, 40.5mm ID x 53.8mm OD x 2.2mm Thickness, Rubber	1
9	Set Screw, 2mm Hex, Cup point, M4, 4mm Length	1
10	Hook, Handshower	1
11	Mounting Plate, Handshower Assembly	1
12	Wood Screw, Phillips Head, #8, 1-3/4" Length	2
13	Anchor, 6mm OD, 30mm Length, Plastic, Gray	2

These guidelines have been prepared for the professional contractor to aid in the installation of: **OLYMPIA HANDSHOWER on HOOK (OMHS01)**  
 All dimensions are based on original specification and are subject to change and variation.  
 Please consult your Design Associate for current specifications.

**WATERWORKS**