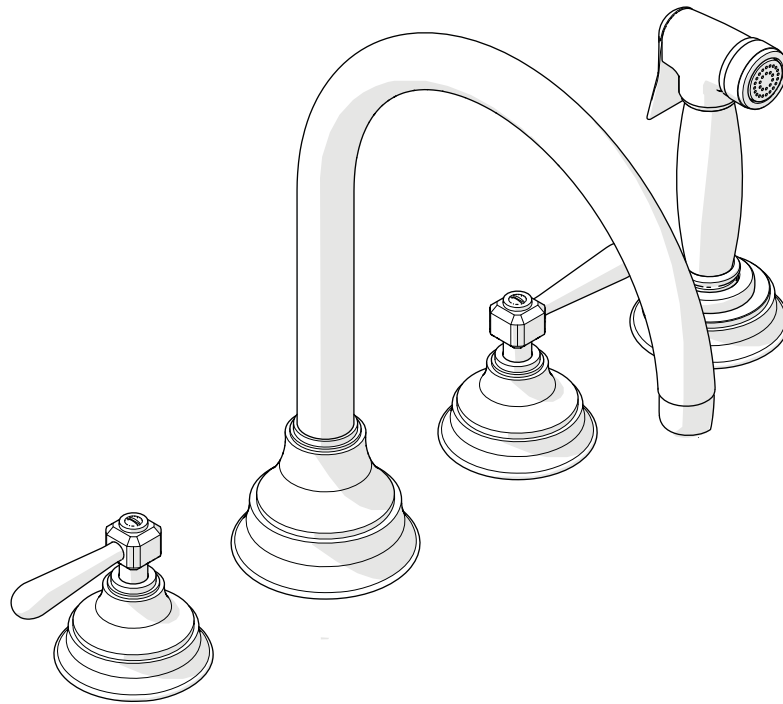




ESTB. 1978

# WATERWORKS

## SERVICE PARTS



**STYLE RTKM04**

Aero Retro Three Hole Gooseneck Kitchen Faucet  
with Metal Lever Handles and Spray

---

WELCOME TO

# WATERWORKS

For over three decades, Waterworks has transformed the bath through an absolute commitment to design authenticity, innovation and quality. A blend of scholarly appreciation and applied experience guarantees mechanical integrity, meticulous craftsmanship, and timeless designs.

---

**TO ORDER PARTS CALL  
1 (800) 927-2120 (EXT 2)**

Order by part number and specify color, finish, or other options if required.

**PRODUCT SUPPORT**

Our Product Support team provides troubleshooting and technical problem resolution, including replacement parts and installation recommendations throughout the life of your product.

Product Support is available Monday through Friday, 8AM-6PM EST.

**LIMITED LIFETIME  
WARRANTY**

Our warranty covers repair and replacement of Waterworks products if within the applicable coverage period and deemed defective by Waterworks. Waterworks will, at its option, repair or replace such products; this does not include installation costs, labor charges, or other incidental or consequential costs.

To obtain your complete warranty or inquire about warranty service, please visit us at [www.waterworks.com](http://www.waterworks.com) or contact our Product Support Team.



ESTB. 1978

WATERWORKS

**MAIN KITS**

**STYLES: RTKM04**

**103501\***  
SPOUT

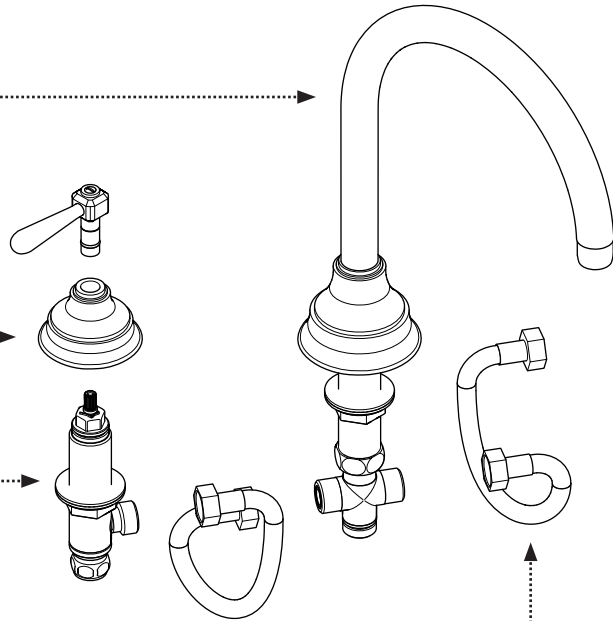
**103485\***  
LEVER HANDLE

**103469\***  
ESCUTCHEON

**103474**  
COUNTERCLOCKWISE  
ON SIDEBODY

**103475**  
HOSE

**103475**  
HOSE



\*FINISH/COLOR MUST BE SPECIFIED WHEN ORDERING  
++SUPPLIED AS A PAIR

**103485\***  
LEVER HANDLE

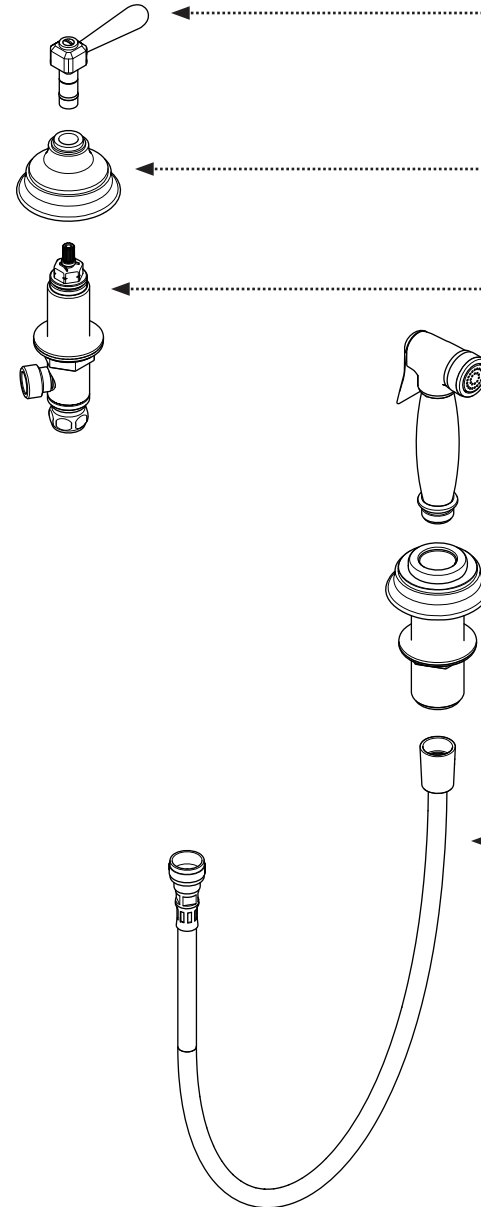
**103469\***  
ESCUTCHEON

**103504**  
CLOCKWISE ON SIDEBODY

**103505\***  
SPRAY

**103506\***  
SPRAY RETURN

**103625**  
KITCHEN SPRAY HOSE



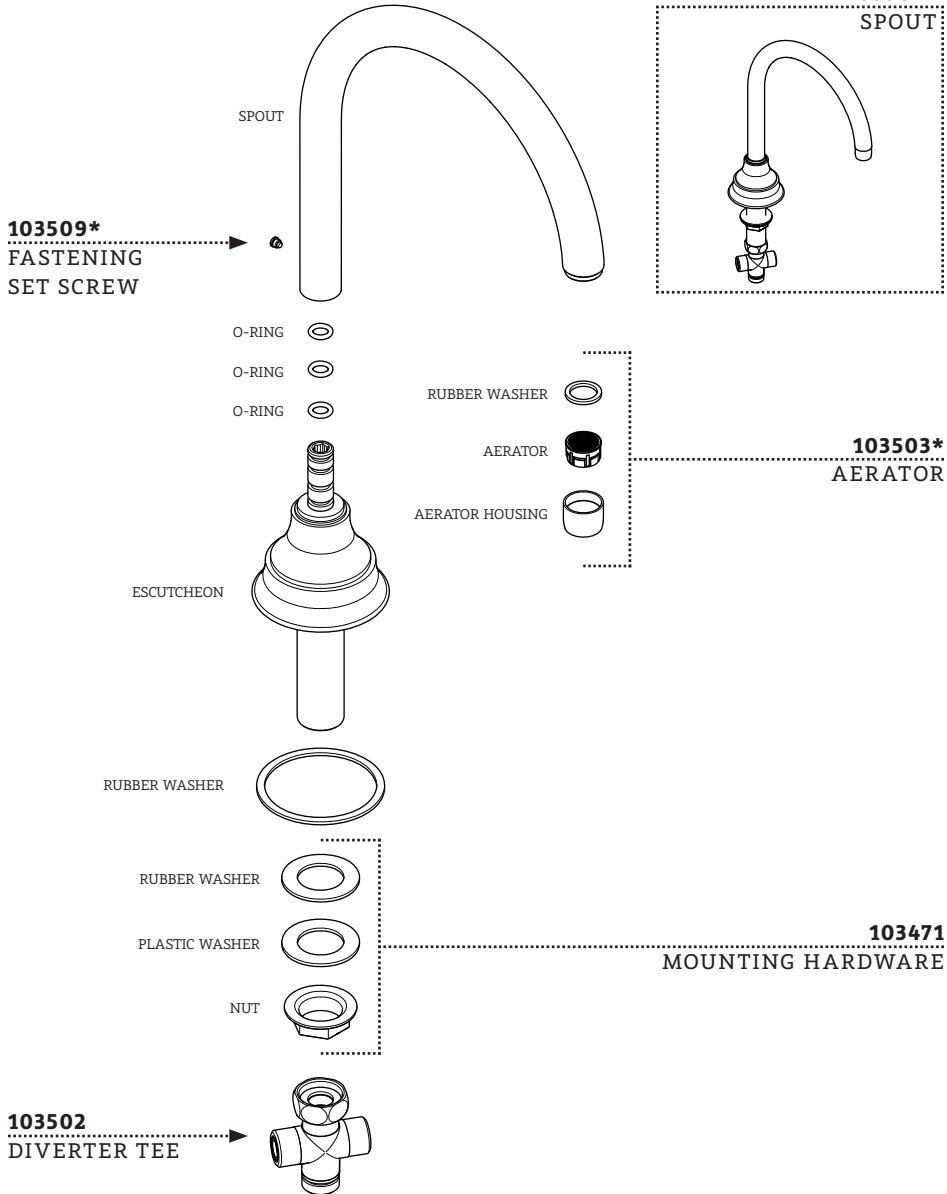


ESTB. 1978

WATERWORKS

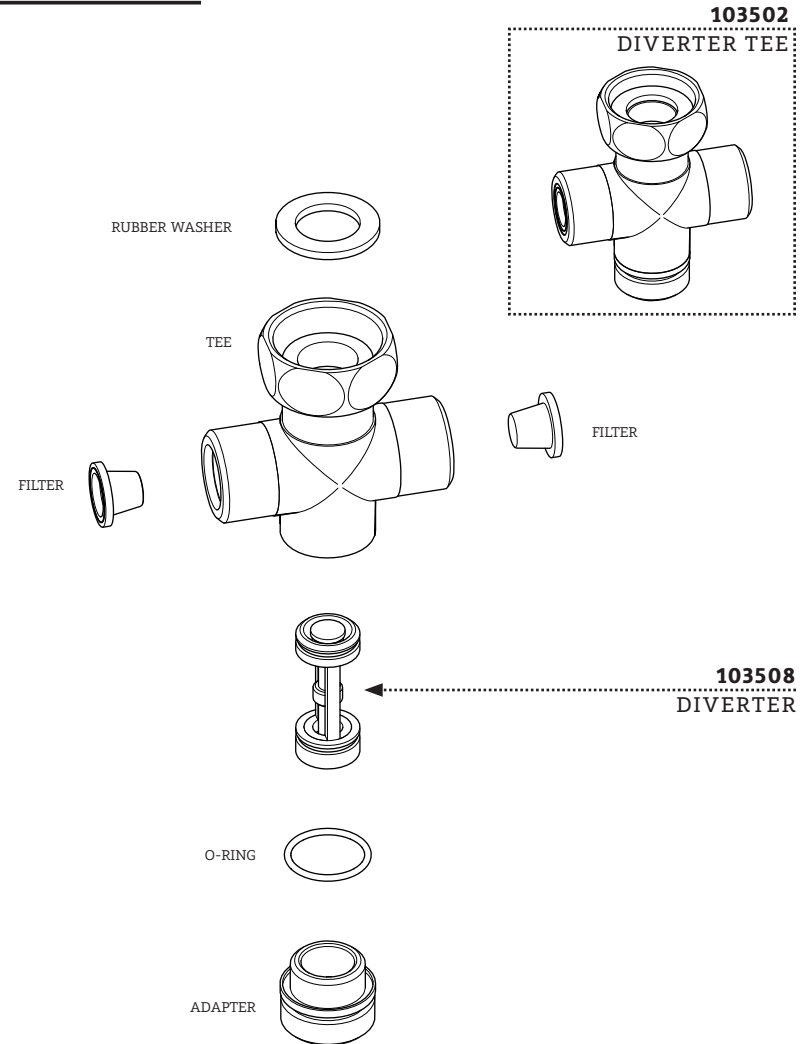
### KIT COMPONENTS

STYLES: RTKM04



\*FINISH/COLOR MUST BE SPECIFIED WHEN ORDERING  
++SUPPLIED AS A PAIR

### KIT COMPONENTS





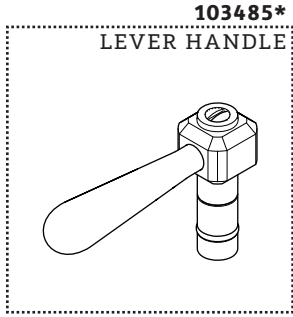
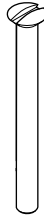
ESTB. 1978

WATERWORKS

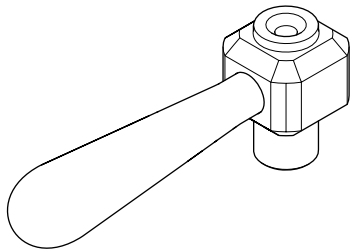
**KIT COMPONENTS**

**STYLES: RTKM04**

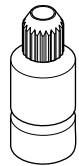
**103468\***  
HANDLE SCREW



HANDLE



STEM

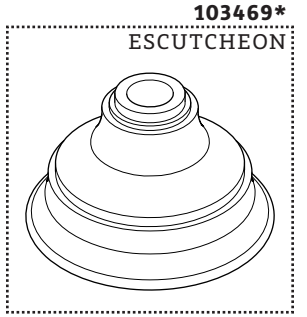


O-RING

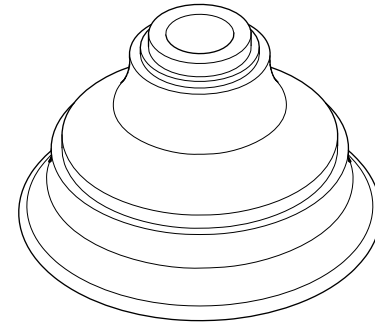


\*FINISH/COLOR MUST BE SPECIFIED WHEN ORDERING  
++SUPPLIED AS A PAIR

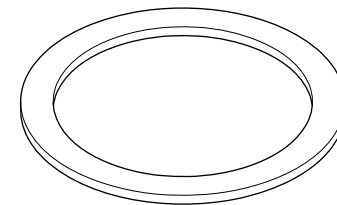
**KIT COMPONENTS**



ESCUTCHEON



RUBBER WASHER





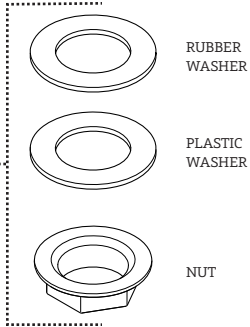
ESTB. 1978

WATERWORKS

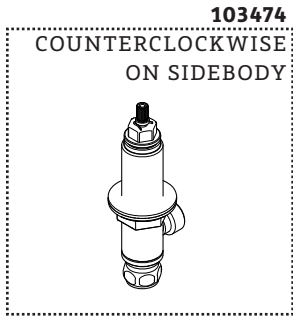
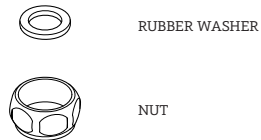
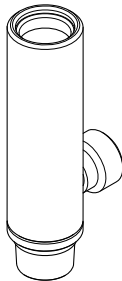
### KIT COMPONENTS

STYLES: RTKM04

**103471**  
MOUNTING HARDWARE



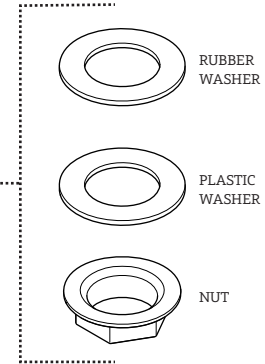
**337847**  
COUNTERCLOCKWISE ON  
CARTRIDGE



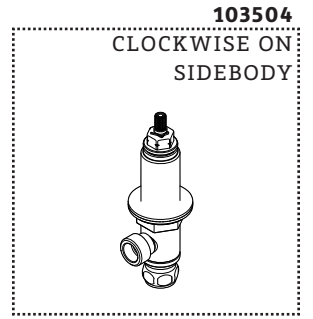
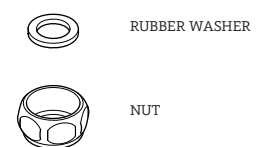
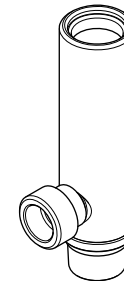
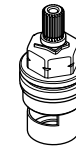
\*FINISH/COLOR MUST BE SPECIFIED WHEN ORDERING  
++SUPPLIED AS A PAIR

### KIT COMPONENTS

**103471**  
MOUNTING HARDWARE



**258790**  
CLOCKWISE ON  
CARTRIDGE



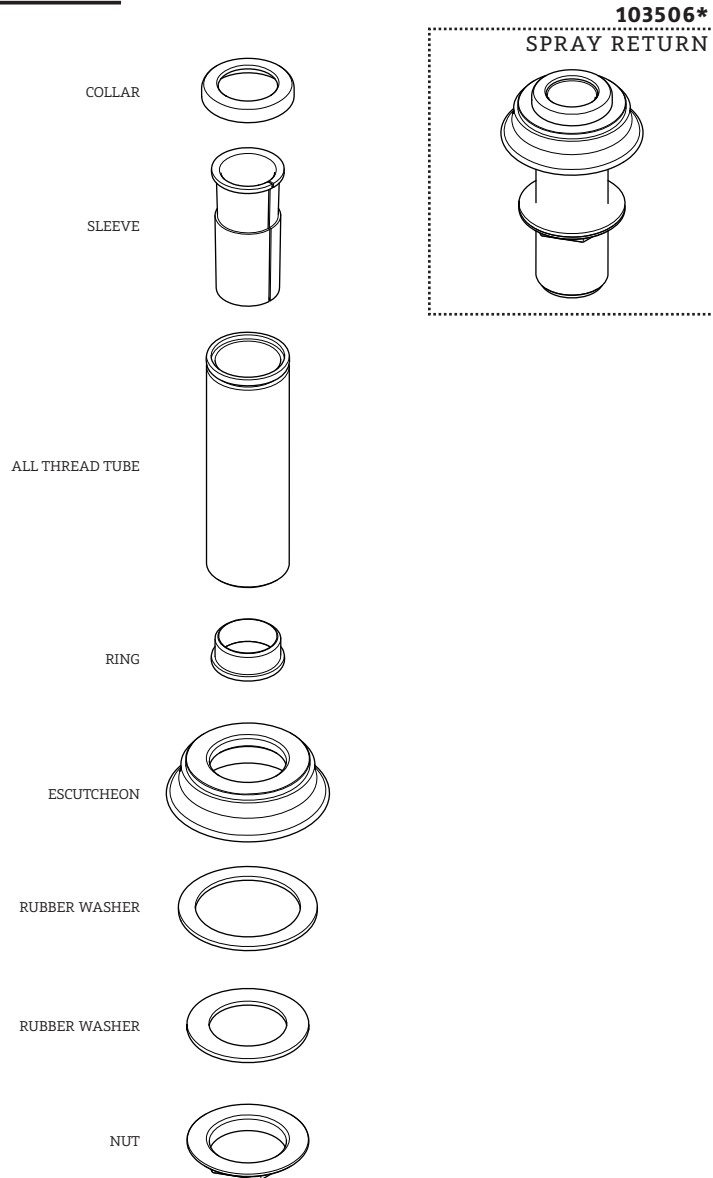


ESTB. 1978

WATERWORKS

### KIT COMPONENTS

STYLES: RTKM04



\*FINISH/COLOR MUST BE SPECIFIED WHEN ORDERING  
++SUPPLIED AS A PAIR

### SERVICE PARTS INDEX

<u>STYLE</u>	<u>DESCRIPTION</u>	<u>PG</u>
103503*	AERATOR	4
258790	CLOCKWISE ON CARTRIDGE	9
103504	CLOCKWISE ON SIDEBODY	9
337847	COUNTERCLOCKWISE ON CARTRIDGE	8
103474	COUNTERCLOCKWISE ON SIDEBODY	8
103508	DIVERTER	5
103502	DIVERTER TEE	5
103469*	ESCUTCHEON	7
103509*	FASTENING SET SCREW	4
103468*	HANDLE SCREW	6
103475	HOSE	2
103625	KITCHEN SPRAY HOSE	3
103485*	LEVER HANDLE	6
103471	MOUNTING HARDWARE	9
103501*	SPOUT	4
103505*	SPRAY	3
103506*	SPRAY RETURN	10

DOCUMENT: SPRT02\_REV01



ESTB. 1978

WATERWORKS

**NOTES**

**STYLES: RTKM04**

\*FINISH/COLOR MUST BE SPECIFIED WHEN ORDERING  
++SUPPLIED AS A PAIR

**NOTES**





ESTB. 1978

WATERWORKS

**PRODUCT SUPPORT**

60 BACKUS AVENUE  
DANBURY, CT 06810

1 (800) 927-2120 (EXT 2)

[WWW.WATERWORKS.COM](http://WWW.WATERWORKS.COM)